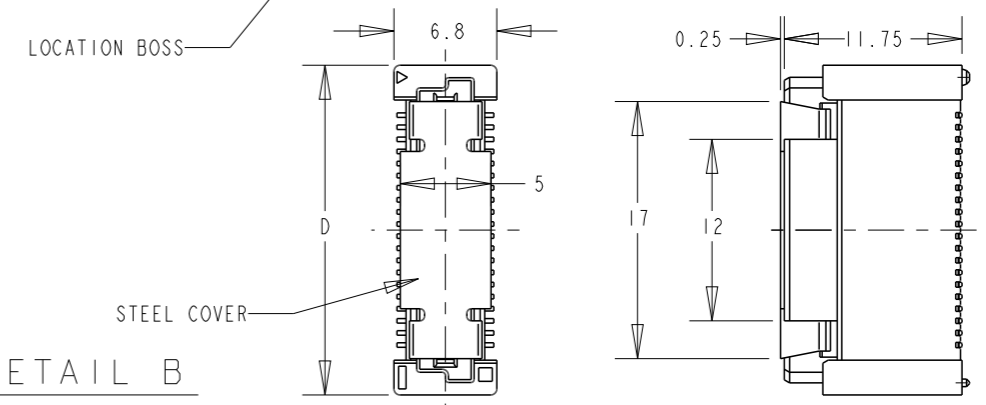
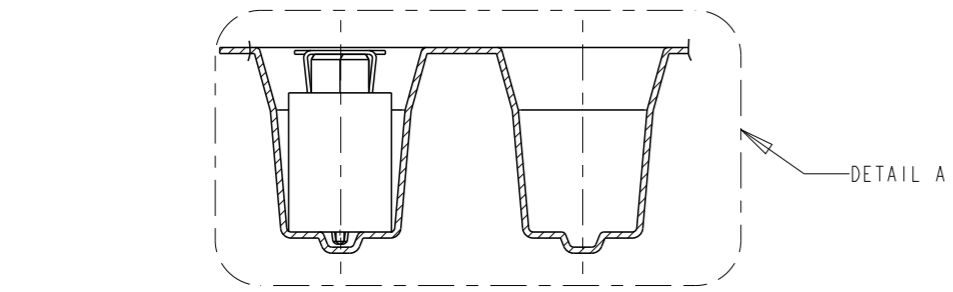
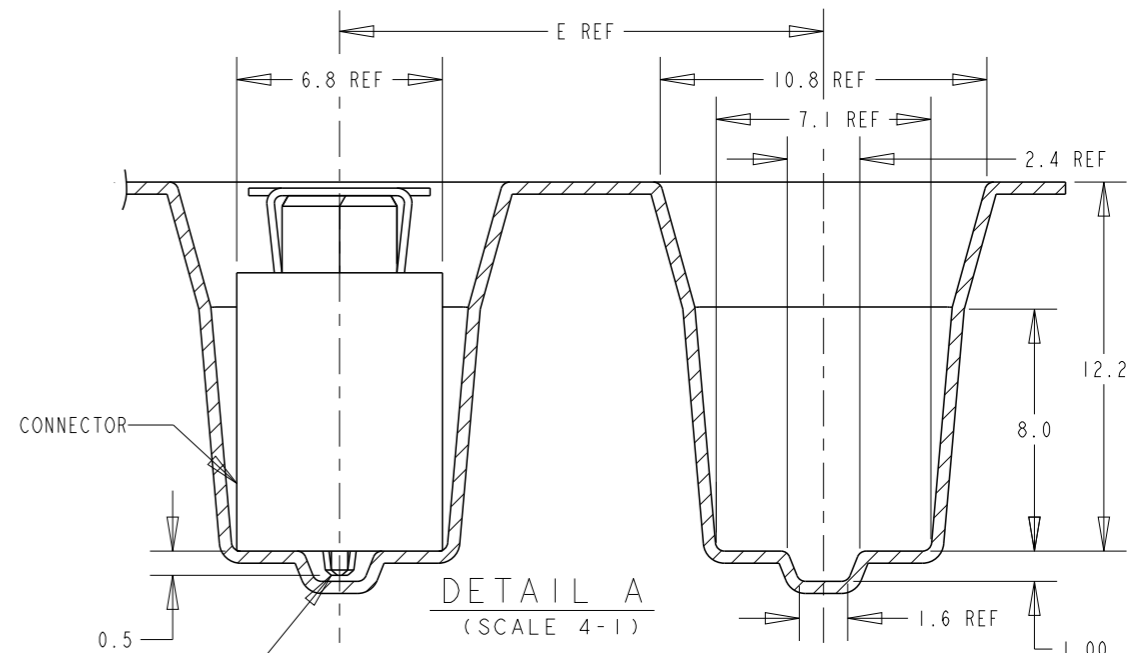
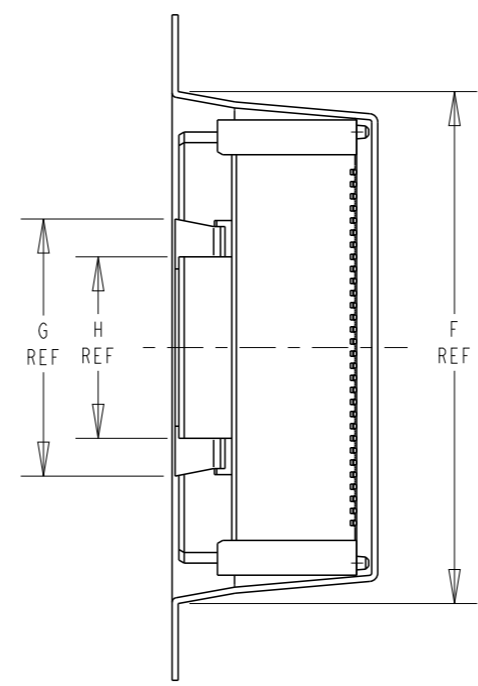
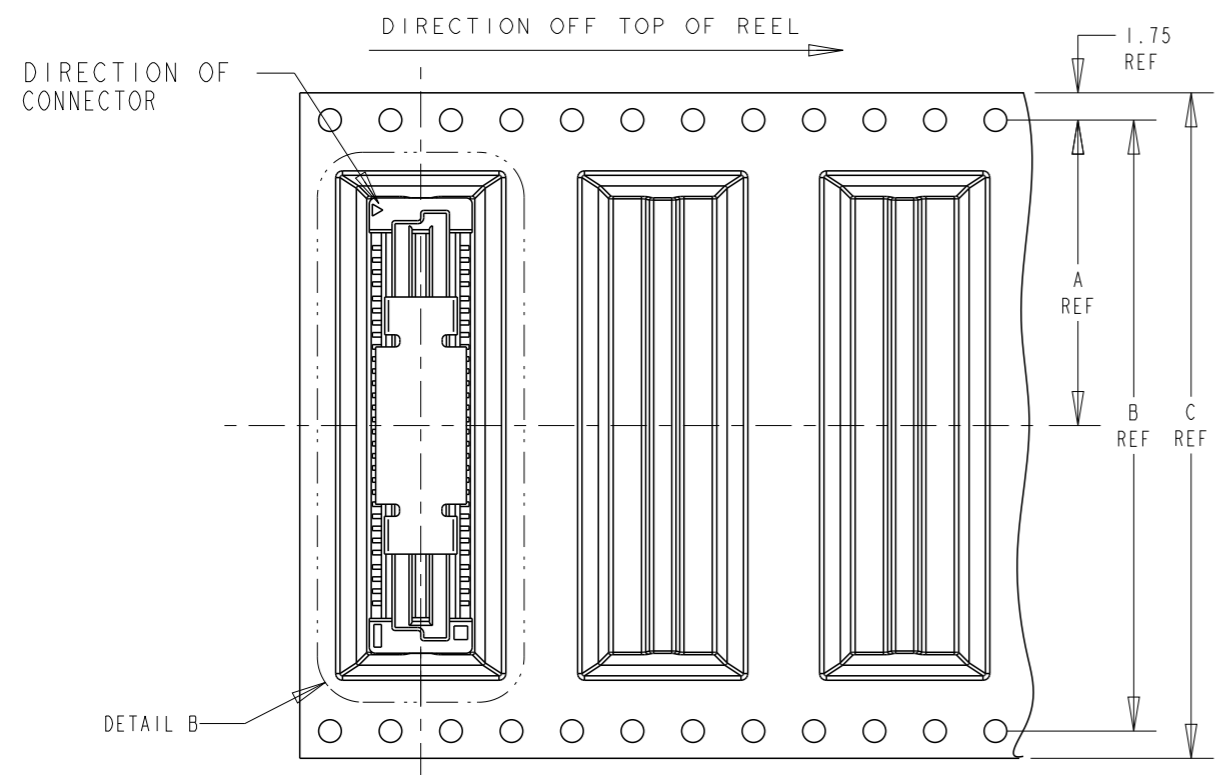
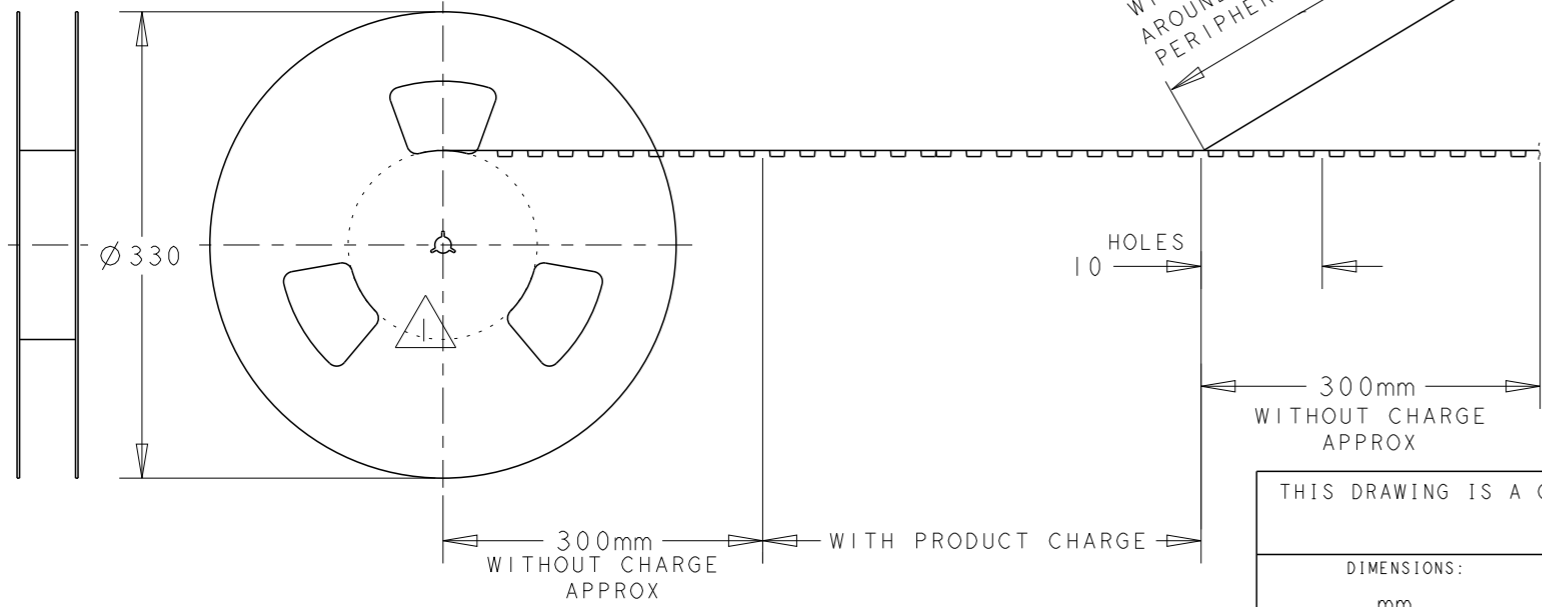


THIS DRAWING IS UNPUBLISHED. RELEASED FOR PUBLICATION 20
 © COPYRIGHT 20 BY - ALL RIGHTS RESERVED.

| REVISIONS | | | | | |
|-----------|-----|---------------------------|-----------|-----|------|
| P | LTR | DESCRIPTION | DATE | DWN | APVD |
| R3 | | REVISED PER ECO-19-008851 | 10JUN2019 | R.L | H.L |



WINDING THE COVER TAPE AROUND THE OUTER PERIPHERY IN A TURN.



| | | | | | | | | | | | |
|---|-----|----|----|------|----|------|-----|-------|------|-----|-------------|
| 3 | 200 | 12 | 17 | 89.8 | 16 | 85.8 | 104 | 100.4 | 50.2 | 200 | 1-5084616-0 |
| | 200 | 12 | 17 | 81.8 | 16 | 77.8 | 104 | 100.4 | 50.2 | 180 | 5084616-9 |
| | 200 | 12 | 17 | 73.8 | 16 | 69.8 | 88 | 84.4 | 42.2 | 160 | 5084616-8 |
| | 200 | 12 | 17 | 65.8 | 16 | 61.8 | 88 | 84.4 | 42.2 | 140 | 5084616-6 |
| | 200 | 12 | 17 | 57.8 | 16 | 53.8 | 72 | 68.4 | 34.2 | 120 | 5084616-5 |
| | 200 | 12 | 17 | 49.8 | 16 | 45.8 | 72 | 68.4 | 34.2 | 100 | 5084616-4 |
| | 200 | 12 | 17 | 41.8 | 16 | 37.8 | 56 | 52.4 | 26.2 | 80 | 5084616-3 |
| | 200 | 12 | 17 | 33.8 | 16 | 29.8 | 44 | 40.4 | 20.2 | 60 | 5084616-2 |
| | 200 | 12 | 17 | 25.8 | 16 | 21.8 | 44 | 40.4 | 20.2 | 40 | 5084616-1 |
| | QTY | H | G | F | E | D | C | B | A | POS | PART NO. |

| FINISH | QTY | H | G | F | E | D | C | B | A | POS | PART NO. |
|--------|-----|----|----|------|----|------|----|------|------|-----|-------------|
| 2 | 200 | 12 | 17 | 57.8 | 16 | 53.8 | 72 | 68.4 | 34.2 | 120 | 9-5084616-5 |
| | 200 | 12 | 17 | 49.8 | 16 | 45.8 | 72 | 68.4 | 34.2 | 100 | 9-5084616-4 |

THIS DRAWING IS A CONTROLLED DOCUMENT.

DIMENSIONS: mm

TOLERANCES UNLESS OTHERWISE SPECIFIED:

| | |
|--------|-------|
| 0 PLC | ±- |
| 1 PLC | ±0.20 |
| 2 PLC | ±0.25 |
| 3 PLC | ±- |
| 4 PLC | ±- |
| ANGLES | ±- |
| FINISH | - |

MATERIAL 1

DWN 01SEP04 FLORENCE TAN
 CHK ERIC TNG
 APVD SE LEONG
 PRODUCT SPEC 108-5390
 APPLICATION SPEC 114-5254
 WEIGHT -

STE TE Connectivity

NAME RECEPTACLE ASS'Y 13H TYPE (0.5 BOSS LENGTH) FOR FH 0.8mm B-T-B CONN. ON TAPING

| | | | |
|---------|-----------------|----------------------|-----------------|
| SIZE A3 | CAGE CODE 00779 | DRAWING NO C-5084616 | RESTRICTED TO - |
|---------|-----------------|----------------------|-----------------|

CUSTOMER DRAWING SCALE 2:1 SHEET 1 OF 2 REV R3

THIS DRAWING IS UNPUBLISHED. RELEASED FOR PUBLICATION 20
 © COPYRIGHT 20 BY - ALL RIGHTS RESERVED.

| REVISIONS | | | | |
|-----------|-----|-------------|------|------|
| P | LTR | DESCRIPTION | DATE | APVD |
| | | SEE SHEET I | | |

D

D

C

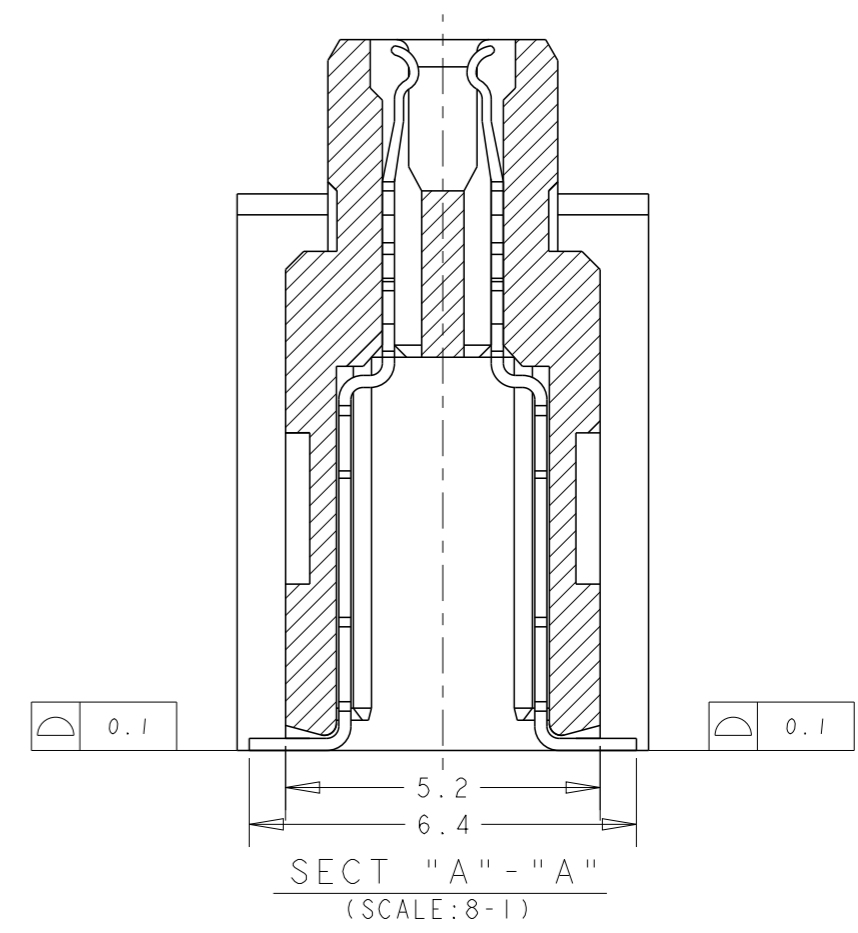
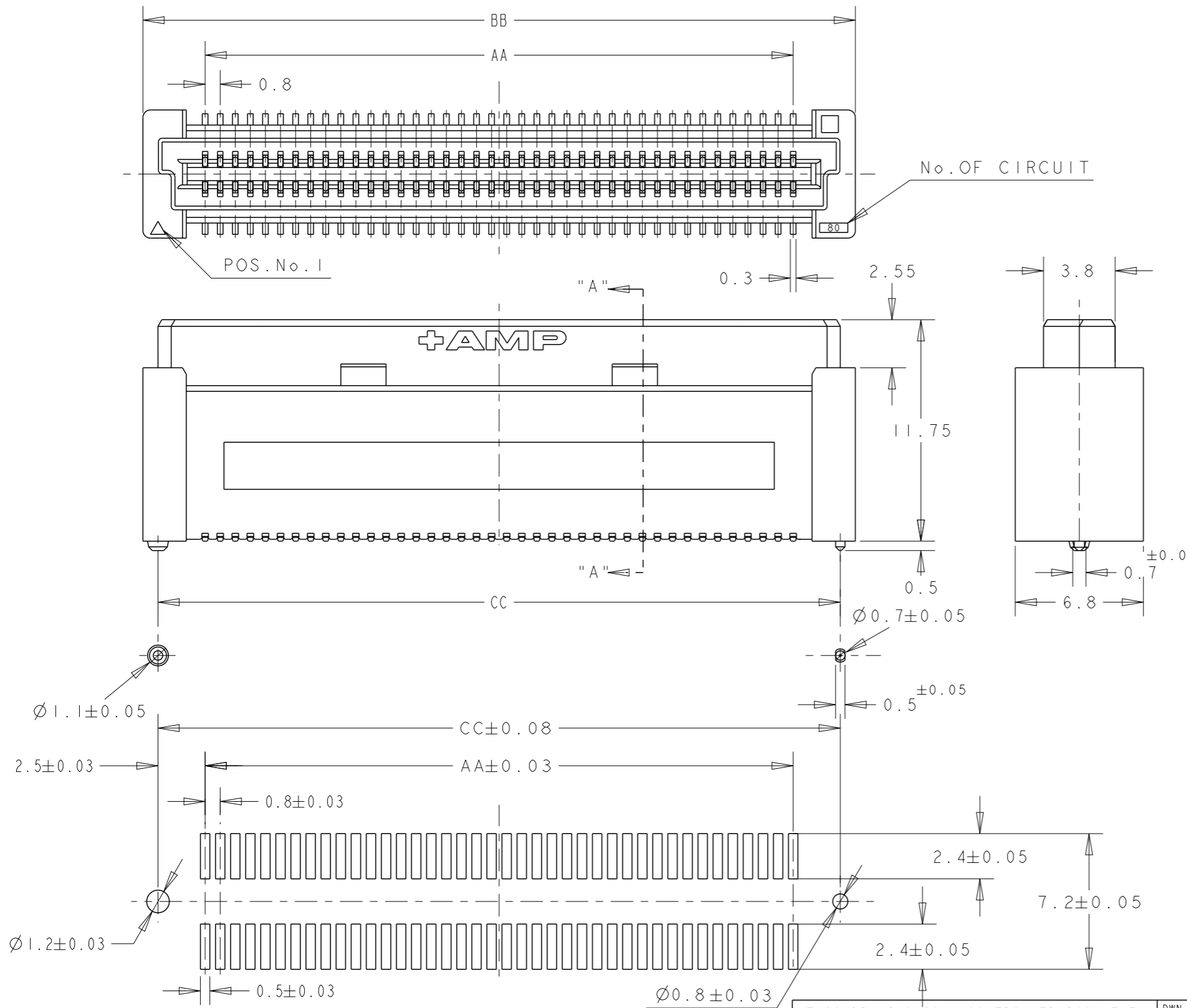
C

B

B

A

A



| | | | | |
|------|------|------|-----|-------------|
| 52.2 | 53.8 | 47.2 | 120 | 9-5084616-5 |
| 44.2 | 45.8 | 39.2 | 100 | 9-5084616-4 |
| 84.2 | 85.8 | 79.2 | 200 | 1-5084616-0 |
| 76.2 | 77.8 | 71.2 | 180 | 5084616-9 |
| 68.2 | 69.8 | 63.2 | 160 | 5084616-8 |
| 60.2 | 61.8 | 55.2 | 140 | 5084616-6 |
| 52.2 | 53.8 | 47.2 | 120 | 5084616-5 |
| 44.2 | 45.8 | 39.2 | 100 | 5084616-4 |
| 36.2 | 37.8 | 31.2 | 80 | 5084616-3 |
| 28.2 | 29.8 | 23.2 | 60 | 5084616-2 |
| 20.2 | 21.8 | 15.2 | 40 | 5084616-1 |
| CC | BB | AA | POS | PART NO |

NOTES:
 △ MATERIALS:
 HOUSING: L.C.P (HIGH TEMP THERMO-PLASTIC)
 UL 94V-0, NATURAL.
 CONTACT: COPPER ALLOY.
 FINISH:
 △ ENGAGEMENT AREA: 0.0002 MIN GOLD
 △ ENGAGEMENT AREA: GOLD FLASH
 4. SOLDERING AREA: 0.0020 MIN MATTE TIN
 UNDERCOAT: 0.0013 MIN NICKEL ALL OVER
 5. CONN STACK HEIGHT COMBINE OF PLUG "Y" H VS REC "X" H.
 STACK HEIGHT = Y + X - 5

RECOMMENDED P.C. BOARD LAYOUT

| | |
|--|--|
| THIS DRAWING IS A CONTROLLED DOCUMENT. | |
| DIMENSIONS: mm | TOLERANCES UNLESS OTHERWISE SPECIFIED: |
| | 0 PLC ± |
| | 1 PLC ±0.20 |
| | 2 PLC ±0.25 |
| | 3 PLC ± |
| | 4 PLC ± |
| | ANGLES ± |
| MATERIAL | FINISH |
| | - |

| | |
|------------------|---------|
| DWN | 01SEP04 |
| FLORENCE TAN | |
| CHK | - |
| ERIC TNG | |
| APVD | - |
| SE LEONG | |
| PRODUCT SPEC | |
| 108-5390 | |
| APPLICATION SPEC | |
| 114-5254 | |
| WEIGHT | - |
| CUSTOMER DRAWING | |

| | | | |
|--|-----------|-----------------|---------------|
| | | TE Connectivity | |
| NAME | | | |
| RECEPTACLE ASS'Y 13H TYPE (0.5 BOSS LENGTH) FOR FH 0.8mm B-T-B CONN. ON TAPING | | | |
| SIZE | CAGE CODE | DRAWING NO | RESTRICTED TO |
| A3 | 00779 | C-5084616 | - |
| SCALE | | SHEET | REV |
| 2:1 | | 2 OF 2 | R3 |