

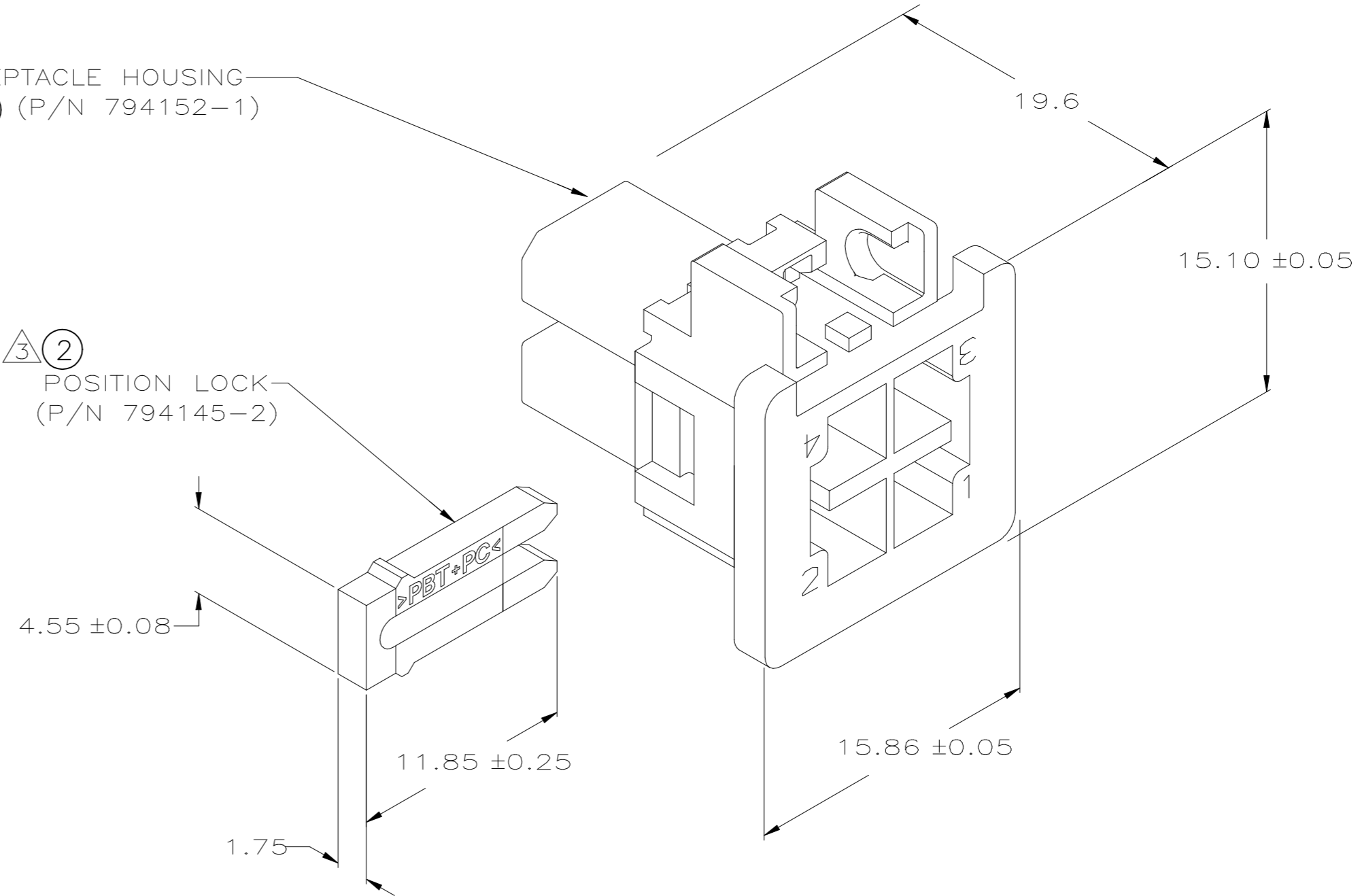
THIS DRAWING IS UNPUBLISHED. RELEASED FOR PUBLICATION  
 © COPYRIGHT - TE Connectivity Ltd. ALL RIGHTS RESERVED.

REVISIONS				
P	LTR	DESCRIPTION	DATE	APVD
F		UPDATE PER ECO-18-008387	26JUN2018	TZ DZ

794145-2	2400201997	WTCS008	PBT 357M	NATURAL (WHITE)
794152-1	2400202000	WTCS009	PBT 357M	NATURAL (WHITE)
794318-1	2400202084	WTCS008/9	-	-
TE P/N	VENDOR P/N	MOLD P/N	MATERIAL	COLOR

RECEPTACLE HOUSING  
 ① (P/N 794152-1)

③ ②  
 POSITION LOCK  
 (P/N 794145-2)



NOTES:

- BULK KITS CONSIST OF BAGS WHICH CONTAIN EQUAL QUANTITIES OF RECEPTACLE HOUSINGS AND POSITION LOCKS.
- RECEPTACLE HOUSINGS AND POSITION LOCKS MAY BE ORDERED SEPARATELY.  
 RECEPTACLE HOUSING P/N: 794152-1  
 POSITION LOCK P/N: 794145-2
- TERMINAL MUST BE INSERTED INTO RECEPTACLE HOUSING SO THAT THE TOP OF THE WIRE AND INSULATION CRIMPS FACE THE INTERIOR OF THE HOUSING. INSTALL POSITION LOCK AFTER FULLY SEATING ALL TERMINATED AMP-DUAC™ SOCKET CONTACTS AND KEYING RECEPTACLES. POSITION LOCK MAY BE INSTALLED IN EITHER SIDE OF THE RECEPTACLE HOUSING.
- SUPPLIER: HAORUN  
 OR ENGINEERING APPROVED EQUIVALENT
- MATERIAL SEE TABLE

1	PC	794145-2	LOCK, POSITION	2
1	PC	794152-1	HOUSING, RECEPTACLE	1
-1	U/M	P/N	DESCRIPTION	ITEM

THIS DRAWING IS A CONTROLLED DOCUMENT.		DWN R. VESTAL 9-08-97	TE Connectivity Ltd.	
DIMENSIONS: mm		CHK R. SWING 9-08-97		
TOLERANCES UNLESS OTHERWISE SPECIFIED:		APVD C. CASH 9-08-97	NAME KIT, BULK, RECEPTACLE HOUSING AND POSITION LOCK, 4 CIRCUIT, AMP-DUAC/PL POWER	
0 PLC ± - 1 PLC ± 0.3 2 PLC ± 0.3 3 PLC ± - 4 PLC ± - ANGLES ± 0.3		PRODUCT SPEC	SIZE A2	CAGE CODE 00779
MATERIAL		FINISH	DRAWING NO 794318	RESTRICTED TO
		WEIGHT	SCALE 1:1	SHEET 1 of 1
		CUSTOMER DRAWING	REV F	