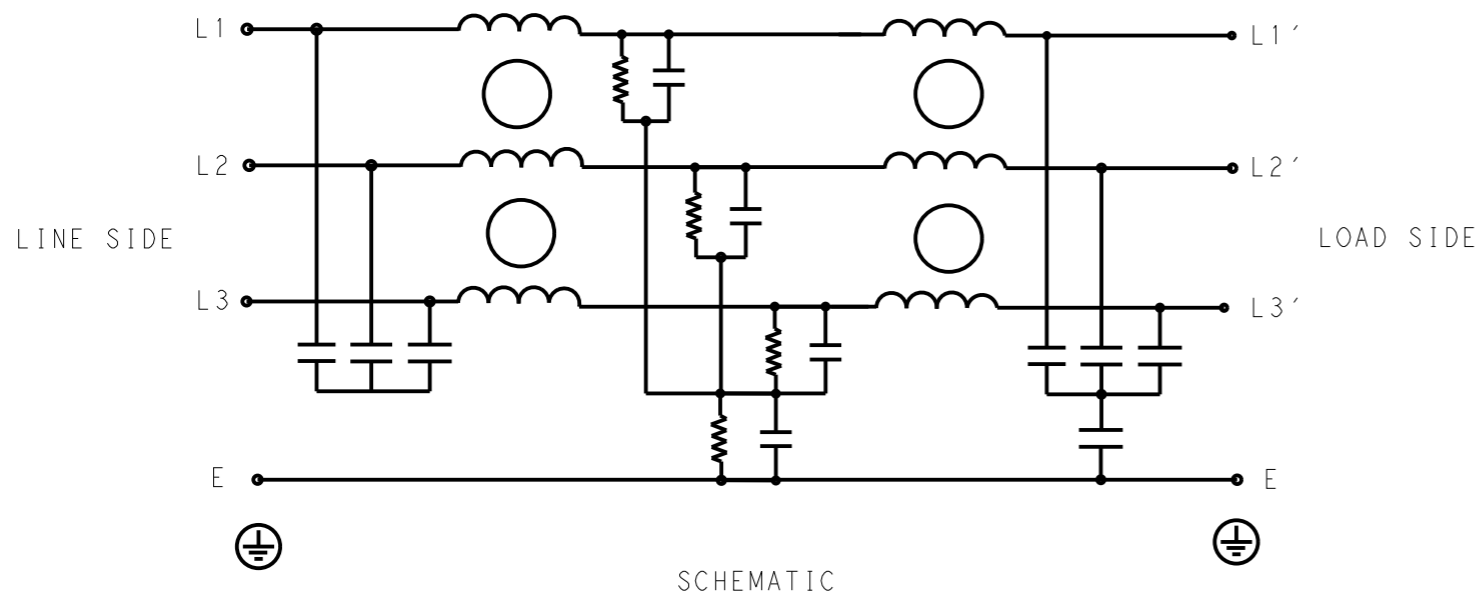


P	LTR	DESCRIPTION	DATE	DWN	APVD
	A	INITIAL RELEASE	23APR2021	SR	CB



SAFETY ORGANIZATIONS

THIS FILTER WILL BE FORMALLY RECOGNIZED, CERTIFIED OR APPROVED BY THE LISTED AGENCY. THEREFORE, ALL TEST/REQUIREMENTS SPECIFIED IN THE LATEST REVISION OF THE FOLLOWING AGENCY STANDARDS WILL BE MET:

UL APPROVED 7A 520V 50Hz/60Hz 40°C
 CSA APPROVED 7A 520V 50Hz/60Hz 40°C

OPERATING SPECIFICATION

LINE CURRENT/VOLTAGE: 7A, 520VAC
 LINE FREQUENCY: 50/60Hz

MAXIMUM LEAKAGE CURRENT: 10mA @ 230VAC, 50Hz

OPERATING AMBIENT TEMPERATURE RANGE @ RATED CURRENT: -25°C TO +40°C

IN AN AMBIENT, T_a, HIGHER THAN 40°C, THE MAXIMUM OPERATING CURRENT, I_o, IS AS FOLLOWS:

$$I_o = I_r \sqrt{\frac{85 - T_a}{45}}$$

RELIABILITY SPECIFICATIONS

STORAGE TEMPERATURE: -40°C TO +85°C
 HUMIDITY: 21 DAYS @ 40°C AND 95% RH

TEST SPECIFICATIONS

INDUCTANCE, NOMINAL: 10mH

CAPACITANCE @ 1kHz
 LINE TO GROUND, NOMINAL: 0.66µF
 LINE TO LINE, NOMINAL: 1.5µF

DISCHARGE RESISTOR

L/L I.R. 3MΩ 1W
 L/N I.R. XXX
 L/G I.R. 680KΩ 1W
 N/G I.R. XXX
 IR (NO DISCHARGE RESISTOR) 20°C, 50% RH AND 100VDC, MIN: 6MΩ

RECOMMENDED RECEIVING INSPECTION HIPOT

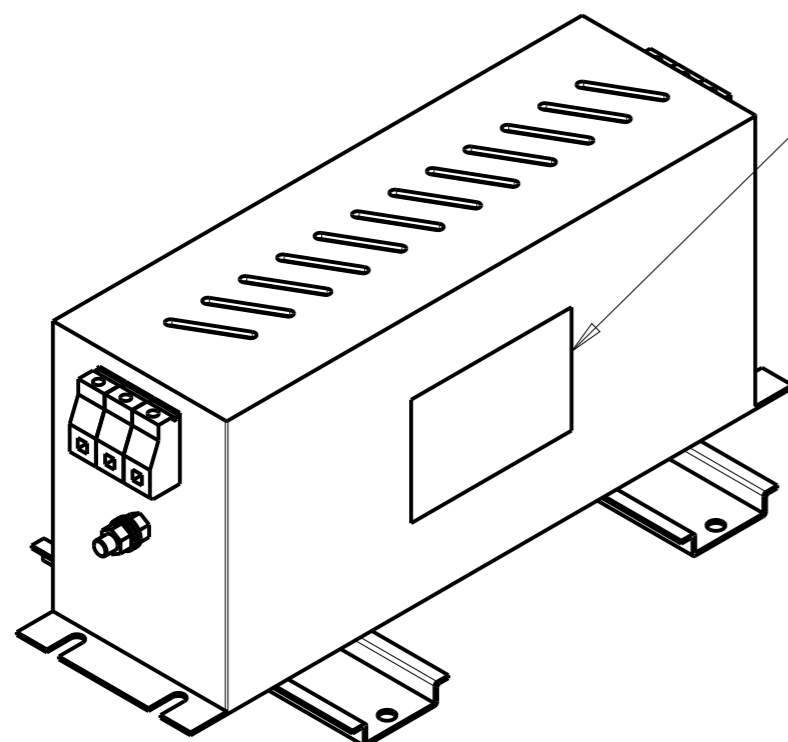
LINE TO GROUND FOR 1 MINUTE: 2856VDC
 LINE TO LINE FOR 1 MINUTE: 2236VDC

FILTER APPROVAL

THE BEST WAY TO SELECT AND QUALIFY A FILTER IS FOR YOUR ENGINEERING TO TEST THE UNIT IN YOUR EQUIPMENT.

TYPICAL INSERTION LOSS
 COMMON MODE 50/50Ω; DIFFERENTIAL MODE 50/50Ω

MHz	0.01	0.05	0.15	0.5	1	3	5	10	30
CM	70	72	75	80	75	60	50	48	19
DM	45	50	33	47	50	48	38	22	65



LABEL TO TE MARKING SPECIFICATION

THIS DRAWING IS A CONTROLLED DOCUMENT.		DWN SUPREETH R 23APR2021		
DIMENSIONS: mm		CHK CHRIS BOLLE 23APR2021		
TOLERANCES UNLESS OTHERWISE SPECIFIED:		APVD CHRIS BOLLE 23APR2021	NAME POWER LINE FILTER FOR DIN RAIL 35 INSTALLATION 7KEHD10BBSDVM	
0 PLC ±-		PRODUCT SPEC -	SIZE A300779 CAGE CODE G-6-1609969-3	
1 PLC ±0.5		APPLICATION SPEC -	RESTRICTED TO	
2 PLC ±0.40		WEIGHT -	SCALE 1:2 SHEET 1 OF 2 REV A	
3 PLC ±0.130		CUSTOMER DRAWING		
4 PLC ±0.0500				
ANGLES ±-				
MATERIAL -				
FINISH -				

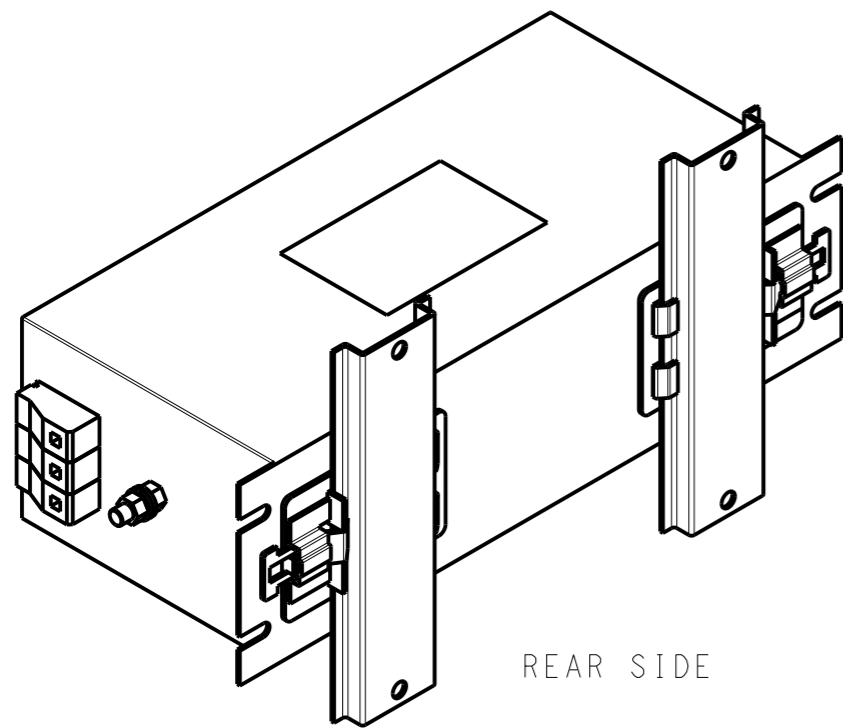
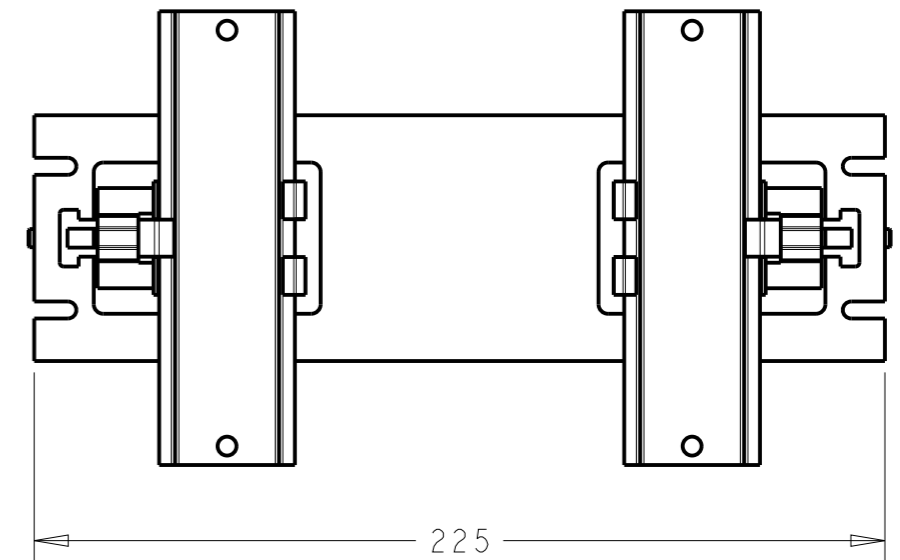
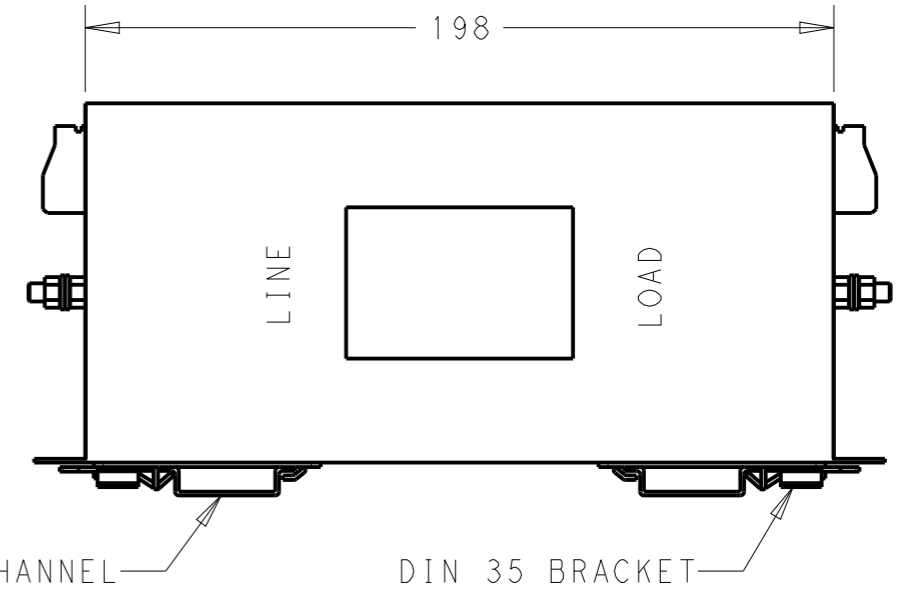
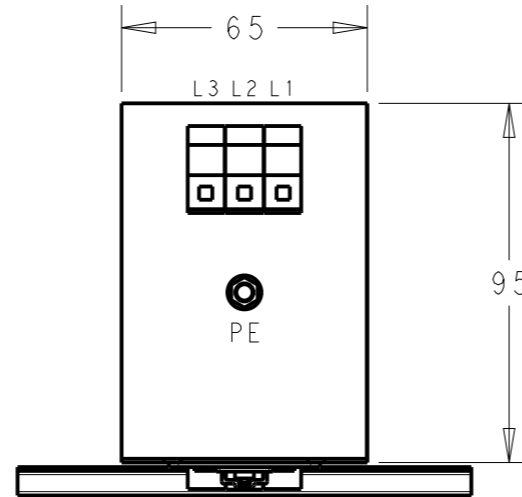
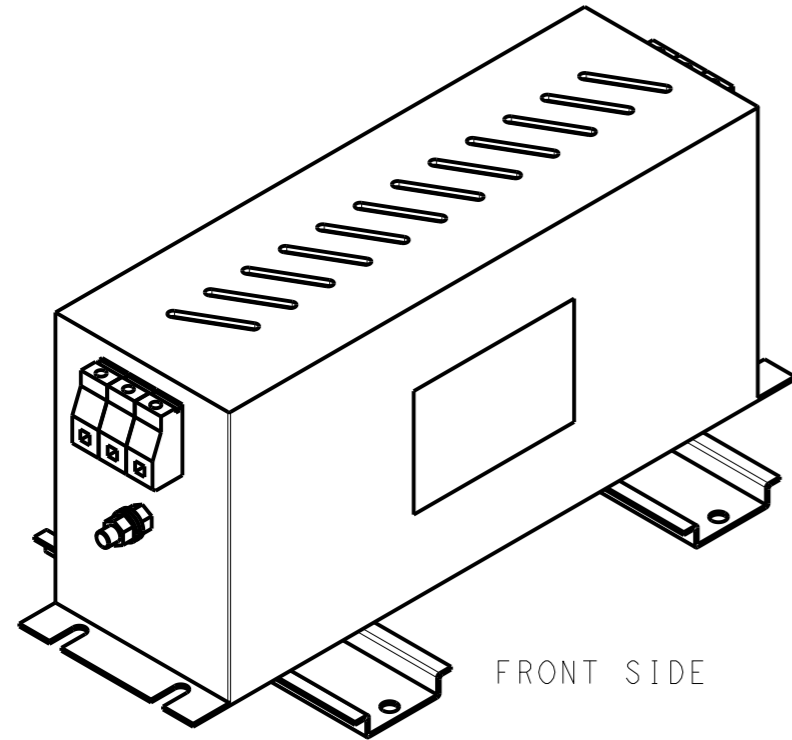
© 2021 TE Connectivity. All Rights Reserved.

NOTE 1 GROUND CONNECTION:
 FOR ELECTRICAL SAFETY AND FILTER PERFORMANCE
 UNIT MUST HAVE A GOOD GROUND CONNECTION.
 TORQUE OUTER TERMINAL SCREWS: 0.5Nm / 4.5 in.lbs
 TORQUE GROUND NUTS: 2Nm

NOTE 2 INPUT OUTPUT CONNECTION TERMINAL
 AWG SIZE: 26-12 AWG
 WIRE SECTION: 4mm²
 THREADED BOLT SIZE FOR GROUND: M5

NOTE 3 SUPPLIED WITH DIN RAIL BRACKET.

NOTE 4 DRAWING SHOWS DIN RAIL FOR REFERENCE ONLY.



REVISIONS					
P	LTR	DESCRIPTION	DATE	DWN	APVD
		SEE SHEET 1			

THIS DRAWING IS A CONTROLLED DOCUMENT.		DWN SUPREETH R 23APR2021			
		CHK CHRIS BOLLE 23APR2021			
		APVD CHRIS BOLLE 23APR2021	NAME POWER LINE FILTER FOR DIN RAIL 35 INSTALLATION 7KEHD10BBSVDM		
DIMENSIONS: mm		PRODUCT SPEC -	RESTRICTED TO		
TOLERANCES UNLESS OTHERWISE SPECIFIED:		APPLICATION SPEC -	SIZE A3	CAGE CODE 00779	DRAWING NO C-6-1609969-3
0 PLC ±0.5		WEIGHT -	SCALE 1:2 SHEET 2 OF 2 REV A		
1 PLC ±0.40					
2 PLC ±0.130					
3 PLC ±0.0500					
4 PLC ±					
ANGLES ±					
MATERIAL -	FINISH -	CUSTOMER DRAWING			