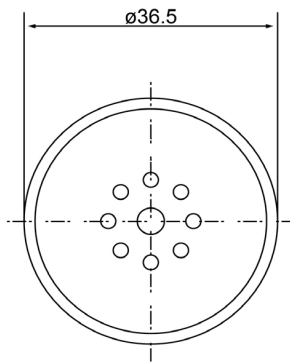
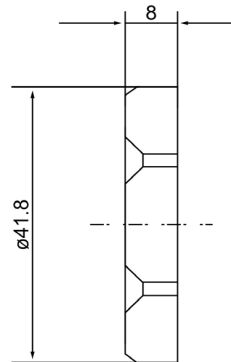


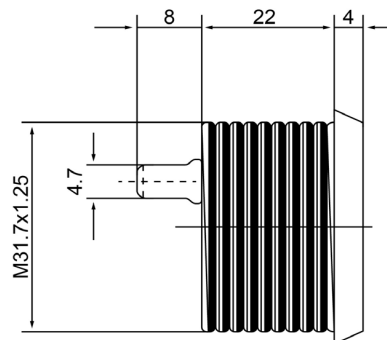
TOP VIEW



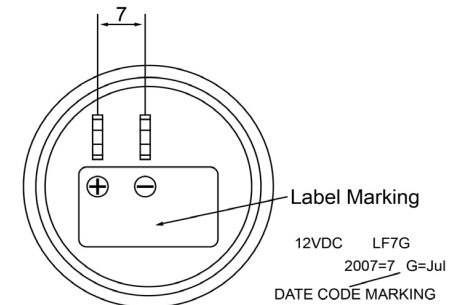
NUT




SIDE VIEW



BOTTOM VIEW



Specifications			Notes	Revision History						
Description	Value	Unit		Version	Description		Date	Approved		
Technology	Piezo		1) All dimensions are in mm unless otherwise noted 2) All parts meet RoHS	1	Released from Engineering		10/21/2013	J.S		
Resonant Frequency	3,000	(Hz)								
Rated Voltage	12	(V)								
SPL @ 10cm	85	(dBA)								
Tone	Fast Pulse									
Mount Type	Panel									
Voltage Range	5 ~ 28	(V)								
Max Rated Current	18	(mA)								
Housing Material	ABS									
Operating Temperature	-20 ~ +60	°C								
Storage Temperature	-30 ~ +70	°C								
Weight	35	(g)								
 DB UNLIMITED			Piezo Indicator			IP363012-1				

Additional considerations can be found at www.dbunlimitedco.com/technical-articles.