

SilentMOS Smart Power Stage in 5mm × 8mm LQFN

FEATURES

- 140A Peak Output Current
- SilentMOS™ Smart Power Stage
 - Utilizes Low EMI/EMC Silent Switcher®2 Architecture
 - Ultra-low SW-Voltage Overshoot
 - Frequency Up to 2MHz
- V_{IN} Up to 16V
- Up to 94% Efficiency at 1MHz with 1.8V_{OUT}
- Integrated Boost Diodes and Capacitors and Power Switches
- Accurate Switch Current Monitoring
- Power MOSFET Overcurrent Protection
- Input Overvoltage and Bias Undervoltage Protection
- Thermal Monitor with Overtemperature Flag
- 3.3V/5V Compatible Tri-State PWM Input
- 5mm × 8mm LQFN Package

APPLICATIONS

- High Current Servers and Workstations
- Networking/Telecom Microprocessor Supplies
- Small Form-Factor POL Converter

DESCRIPTION

The **LTC®7051-1** monolithic power stage fully integrates high speed drivers with low resistance half-bridge power switches plus comprehensive monitoring and protection circuitry in an electrically and thermally optimized package. With a suitable high frequency controller, this power stage forms a compact, high current voltage regulator system with state-of-the-art efficiency and transient response.

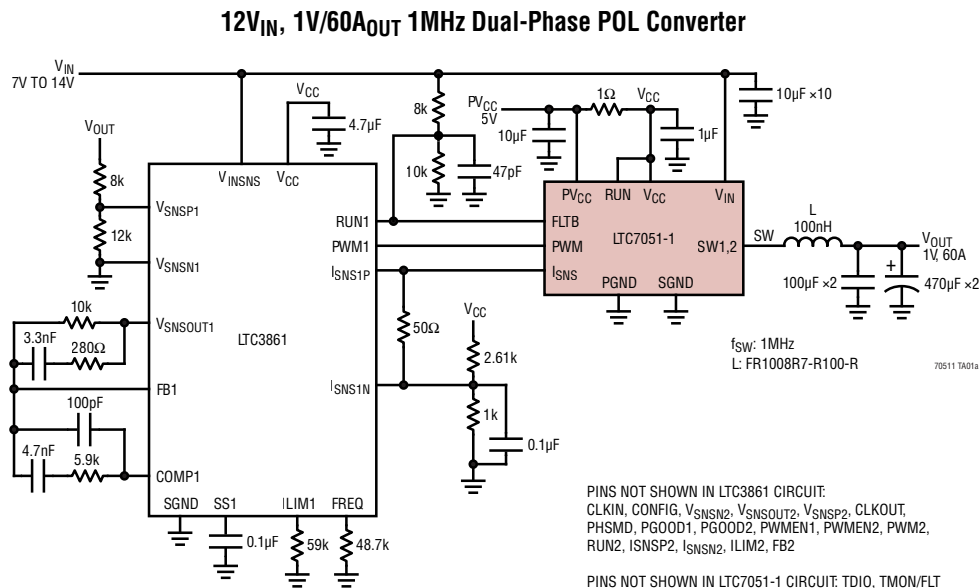
SilentMOS technology utilizes second generation Silent Switcher 2 architecture reducing both EMI and switch-node voltage overshoot while maximizing efficiency at high switching frequencies.

High speed current sensing provides low latency switch current information, enabling tight current balancing and immediate overcurrent protection.

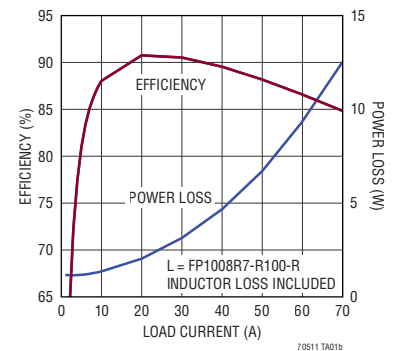
Thermally-enhanced packaging provides 65A rated output current capability.

All registered trademarks and trademarks are the property of their respective owners. Protected by U.S. patents, including 9525351.

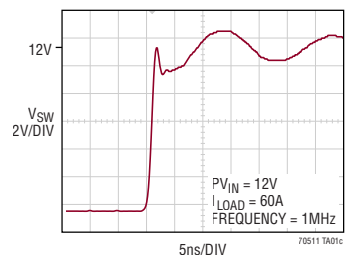
TYPICAL APPLICATION



12V_{IN} to 1V_{OUT} Efficiency



V_{sw} Waveform at 1MHz

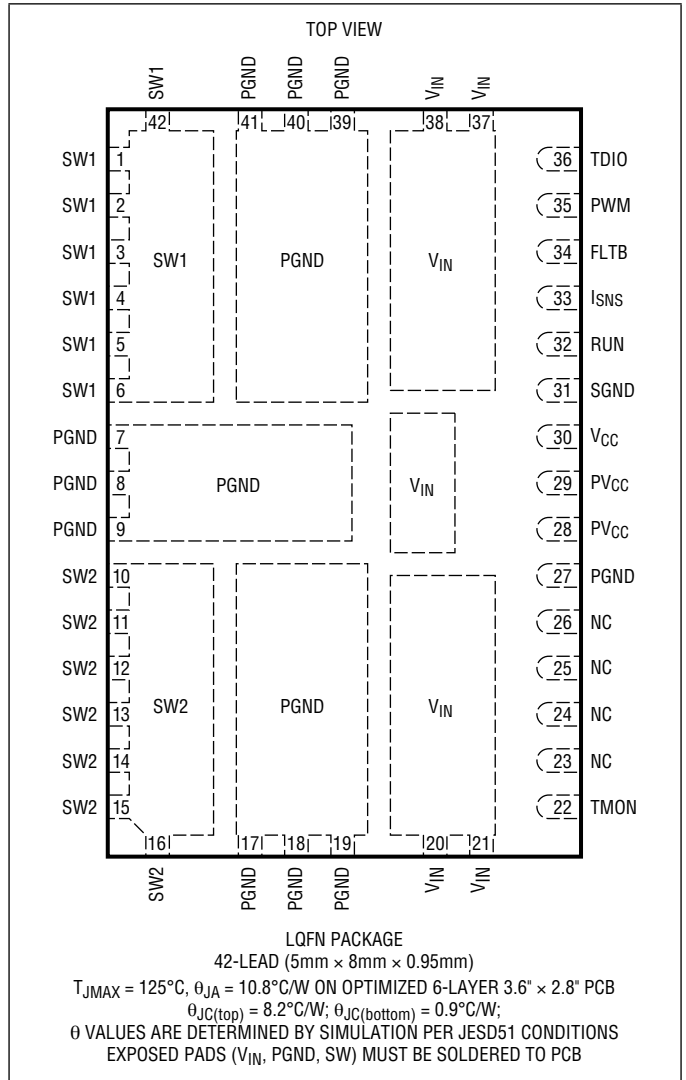


ABSOLUTE MAXIMUM RATINGS

(Note 1)

V_{IN} DC Voltage	-0.3V to 19V
V_{IN} Transient Voltage	-0.3V to 25V
SW Voltage	-0.3V to 25V DC
SW Voltage (20ns)	-2V to 25V
PV_{CC} , V_{CC} Voltage	-0.3V to 6V
RUN	-0.3V to ($V_{CC} + 0.3V$)
PWM	-0.3V to ($V_{CC} + 0.3V$)
I_{SNS}	-0.3V to ($V_{CC} + 0.3V$)
FLTb	-0.3V to ($V_{CC} + 0.3V$)
TDIO Voltage/Current	-0.3V/-5mA
AbxMax Junction Temperature	125°C
Storage Temperature	-55°C to 150°C
Maximum Reflow (Package Body) Temperature ...	260°C

PIN CONFIGURATION



ORDER INFORMATION

PART NUMBER	PART MARKING	FINISH CODE	PAD FINISH	PACKAGE TYPE	MSL RATING	TEMPERATURE RANGE
LTC7051AV-1#PBF	70511	e4	Au (RoHS)	LQFN (Laminate Package with QFN Footprint)	3	-40°C to 125°C

• Contact the factory for parts specified with wider operating temperature ranges. *Pad or ball finish code is per IPC/JEDEC J-STD-609.

Parts ending with PBF are RoHS and WEEE compliant.

• [Recommended LGA and BGA PCB Assembly and Manufacturing Procedures](#)

• [LGA and BGA Package and Tray Drawings](#)

ELECTRICAL CHARACTERISTICS

The ● denotes the specifications which apply over the specified operating temperature range, otherwise specifications are at $T_A = 25^\circ\text{C}$, $V_{IN} = 12\text{V}$, $PV_{CC} = V_{CC} = 5\text{V}$ unless otherwise noted.

SYMBOL	PARAMETER	CONDITIONS	MIN	TYP	MAX	UNITS
V_{IN}	Power Input Supply Range				16	V
	V_{IN} Overvoltage Lockout Threshold	V_{IN} Rising	17.7		18.7	V
	V_{IN} Overvoltage Lockout Hysteresis			1		V
	V_{IN} Overvoltage Lockout Delay	(Note 3)		1		μs
	V_{IN} Shutdown Current	$V_{IN} = 12\text{V}$, $\text{RUN} = 0$		25		μA
V_{CC}	V_{CC} Input Supply Range		4.5	5	5.5	V
$V_{CC(UVLO)}$	V_{CC} Undervoltage Lockout Threshold	V_{CC} Rising	4.05	4.15	4.25	V
V_{UVLO_HYST}	V_{CC} Undervoltage Lockout Hysteresis			0.2		V
$I_{VCC(SD)}$	V_{CC} Supply Current in Shutdown	$\text{RUN} = 0$		14		μA
I_{VCC_active}	V_{CC} Supply Current in Active	$\text{RUN} = 5\text{V}$, $\text{PWM} = \text{Float}$		2.5		mA
PV_{CC}	Driver Input Supply Range		4.5	5	5.5	V
$PV_{CC(UVLO)}$	PV_{CC} Undervoltage Lockout Threshold	PV_{CC} Rising	3.9	4.0	4.1	V
PV_{UVLO_HYST}	PV_{CC} Undervoltage Lockout Hysteresis			0.35		V
$I_{PVCC(SD)}$	PV_{CC} Supply Current in Shutdown	$\text{RUN} = 0$		300		μA
I_{PVCC_active}	PV_{CC} and V_{CC} Supply Current in Active	$\text{RUN} = 5\text{V}$, $\text{PWM} = \text{Float}$		2.5		mA
t_{UVLO}	Undervoltage Time Lockout Delay, from V_{CC} and PV_{CC} to SW Low	PV_{CC} , V_{CC} Rising $\text{RUN} = 5\text{V}$ $\text{PWM} = 0$ (Note 3)		1		μs
RUN Input						
V_{IH_RUN}	RUN High Threshold	RUN Rising	2.2	2.45	2.7	V
V_{RUN_HYS}	RUN Hysteresis			0.2		V
R_{PD_RUN}	EN Pull-Down Resistor			30		$\text{k}\Omega$
T_{d_RUNH}	Propagation Delay for RUN Low to High	From RUN Low \geq High to SW = 0, PWM = 0 (Note 3)		12		μs
T_{d_RUNL}	Propagation Delay for RUN High to Low	From RUN High \geq Low to SW High Z, PWM = 0 (Note 3)			0.1	μs
PWM Input						
V_{IH_PWM}	PWM High Threshold				2.7	V
V_{IL_PWM}	PWM Low Threshold		0.8			V
V_{TR_PWM}	PWM Tri-State Range		1.5		2.1	V
V_{PWM_HYS}	PWM Hysteresis	Active to Tri-State or Tri-State to Active		300		mV
R_{PD_PWM}	PWM Pull-Down Resistor	To SGND		9.6		$\text{k}\Omega$
R_{PU_PWM}	PWM Pull-Up Resistor	To V_{CC}		18.8		$\text{k}\Omega$
$t_{PWMHI-SW}$	Delay Time, PWM High to SW High	No Fault Condition (Note 3)		10		ns
$t_{PWMLO-SW}$	Delay Time, PWM Low to SW Low	No Fault Condition (Note 3)		10		ns
$t_{Tri_Lo_Delay}$	Tri-State to Low Propagation Delay	PWM Going Low to SW Going Low		20		ns
$t_{Tri_Hi_Delay}$	Tri-State to High Propagation Delay	PWM Going High to SW Going High		30		ns
t_{Tri_Hold}	Active to Tri-State Delay Time	PWM Going to High Z to SW High Z (Note 3)		20		ns
t_{PWM_MINON}	PWM Minimum ON-Time			20		ns
V_{PWM_FLOAT}	PWM Floating Voltage		1.6	1.7	1.8	V

ELECTRICAL CHARACTERISTICS

The ● denotes the specifications which apply over the specified operating temperature range, otherwise specifications are at $T_A = 25^\circ\text{C}$, $V_{IN} = 12\text{V}$, $PV_{CC} = V_{CC} = 5\text{V}$ unless otherwise noted.

SYMBOL	PARAMETER	CONDITIONS	MIN	TYP	MAX	UNITS
I_{SNS} Output						
A _{IMON}	Current Sense Gain (I _{MON} /I _{OUT})	V _{ISNS} = 1.5V I _{OUT} = 5A to 25A, PWM = 0	8.5	10	11.5	μA/A
I _{SNS}	Overall Accuracy	I _{OUT} = 50A, V _{ISNS} = 1.5V, PWM = 0, Accuracy at Trim	500 ±40			μA
		I _{OUT} = -10A, V _{ISNS} = 1.5V, PWM = 0 (Note 3)	100			μA
V _{IMON}	IMON Operational Voltage Range	●	1.2		2.0	V
FLTB Output						
R _{FLTB-PD}	Fault Bar Open-Drain Pull-Down Resistance	FLTB Low			1	kΩ
TMON/FLT Output						
A _{TMON}	Thermal Monitor Gain	0°C < T _J < 150°C (Note 3)		8		mV/°C
V _{TMON}	Thermal Monitor Voltage	T _J = 0°C (Note 3)		0.6		V
		T _J = 25°C	780	800	825	mV
		T _J = 125°C (Note 3)		1.6		V
OTP	Overtemperature Protection Accuracy	(Note 3)		150		°C
OTP_Hys	Overtemperature Hysteresis	(Note 3)		40		°C
I _{SOURCE_TMON}	Thermal Monitor Maximum Source Current	T _J = 25°C, T _{MON} Forced at 0V	650			μA
I _{SINK_TMON}	Thermal Monitor Maximum Sink Current	T _J = 25°C, T _{MON} Forced at 1.28V			45	μA
V _{Tdiode}	Tdiode Forward Voltage Drop	T _J = 25°C, I _F = 0.1mA		678		mV
	Tdiode Voltage Drop Temperature Coefficient	I _F = 0.1mA (Note 3)		-1.8		mV/°C
SW Node						
V _{SW_Float}	SW Floating Voltage	V _{IN} = 12V, RUN = 5V		0.7		V
R _{SW-PGND}	SW Pull-Down Resistance			0.6		kΩ
Overcurrent Limits						
I _{_OCP}	Positive Overcurrent Threshold	PWM = H	160	180	200	A
I _{_NCP}	Negative Overcurrent Threshold	PWM = L		-90		A
t _{Blank_OC}	Positive Overcurrent Blanking Time	PWM = H (Note 3)		22		ns
t _{Blank_NC}	Negative Overcurrent Blanking Time	PWM = L (Note 3)		55		ns
I _{_ZCP}	Positive Zero Current Threshold			10		A
I _{_ZCN}	Negative Zero Current Threshold			-16		A

Note 1: Stresses beyond those listed under Absolute Maximum Ratings may cause permanent damage to the device. Exposure to any Absolute Maximum Rating condition for extended periods may affect device reliability and lifetime.

Note 2: The LTC7051A-1 is specified over the -40°C to 125°C operating junction temperature range. High Junction temperatures degrade operating lifetimes. Note the maximum ambient temperature consistent with these specifications is determined by specific operating conditions in conjunction with board layout, the rated package thermal impedance and other environmental factors. The junction temperature (T_J, in °C) is calculated from the ambient temperature (T_A in °C) and power dissipation (P_D, in Watts) according to the formula:

$$T_J = T_A + (P_D \cdot \theta_{JA})$$

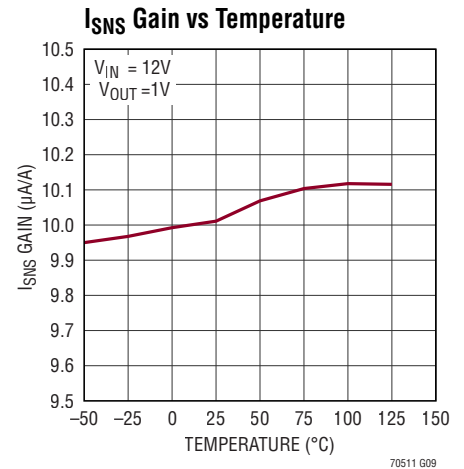
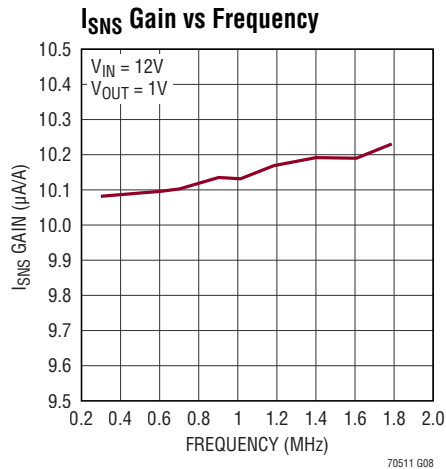
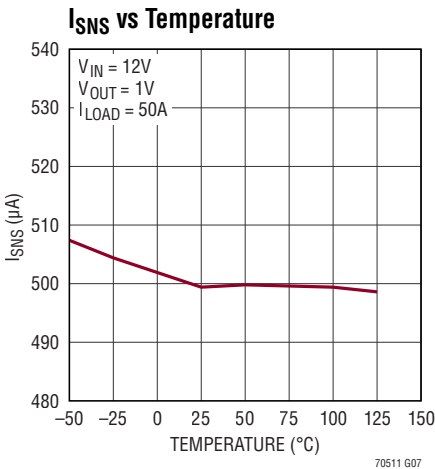
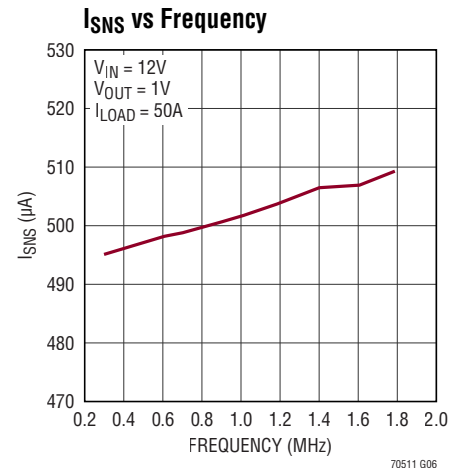
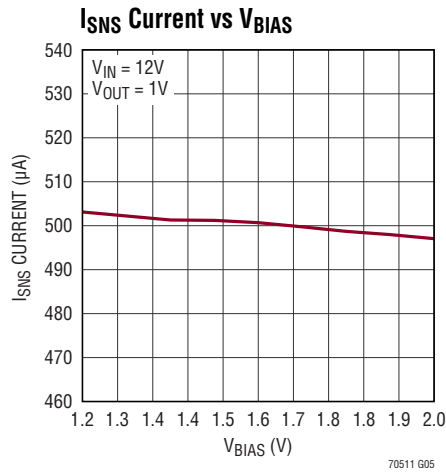
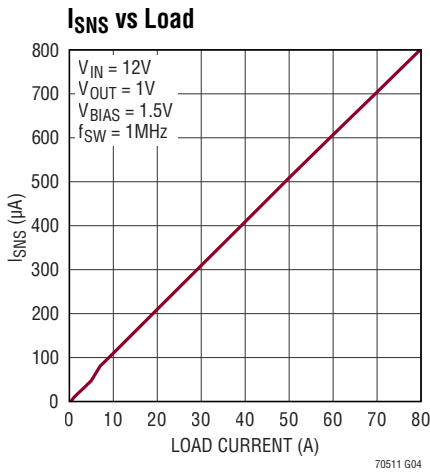
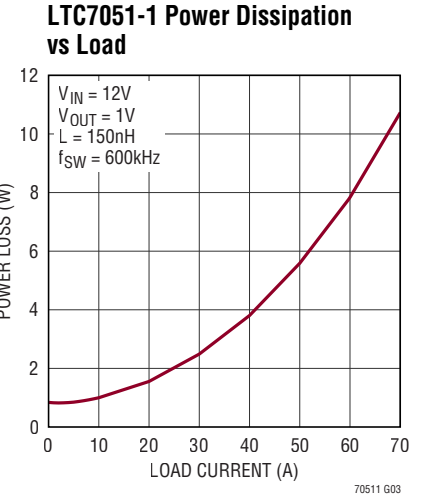
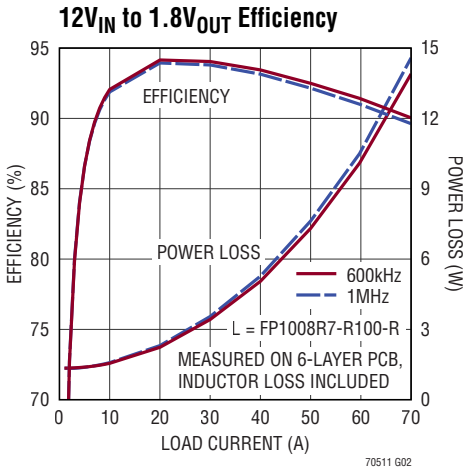
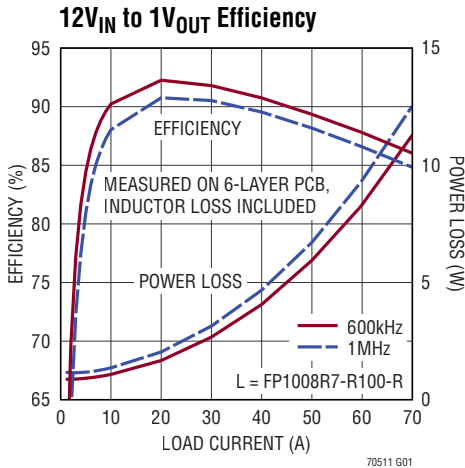
where θ_{JA} (in °C/W) is the package thermal impedance.

Note 3: This parameter is not tested but is guaranteed by design.

Note 4: All currents into device pins are positive; all currents out of device pins are negative. All voltages are referenced to ground unless otherwise specified.

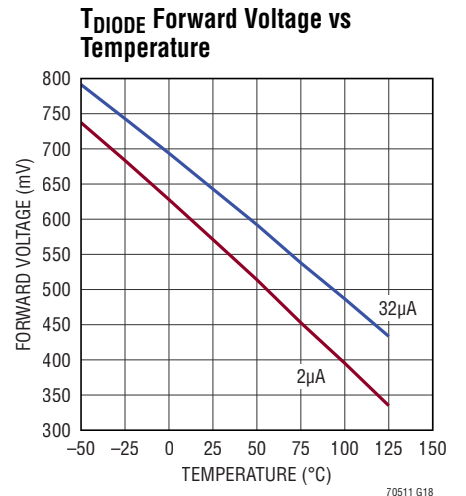
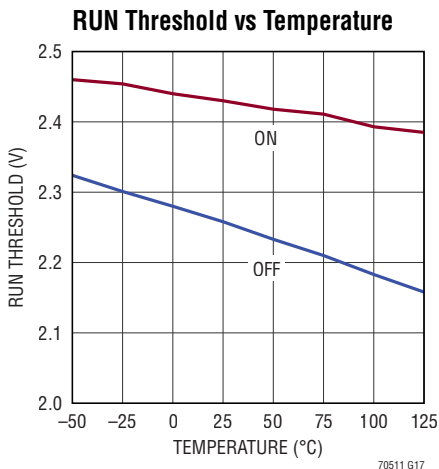
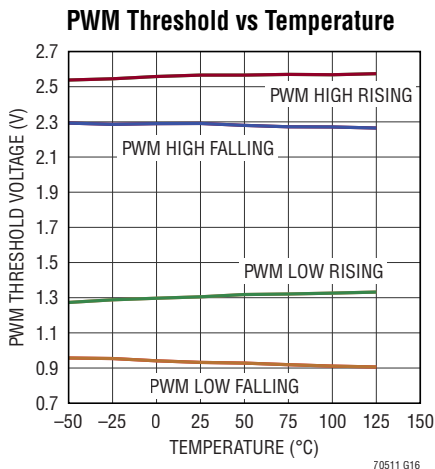
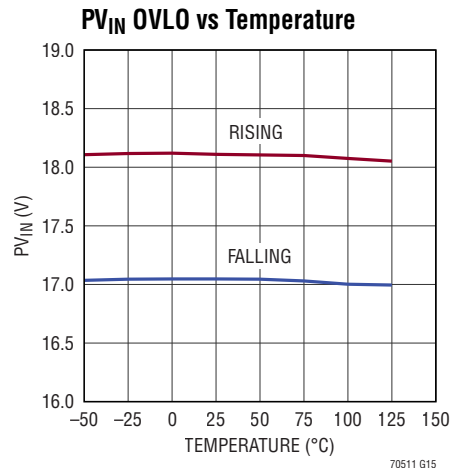
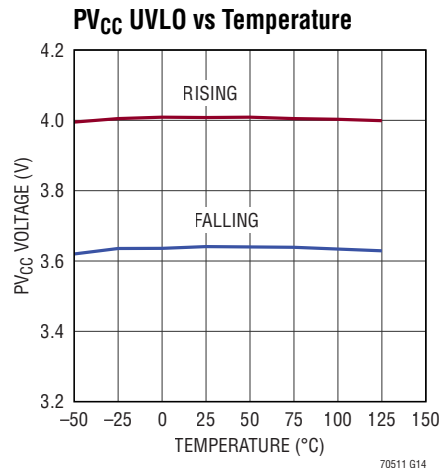
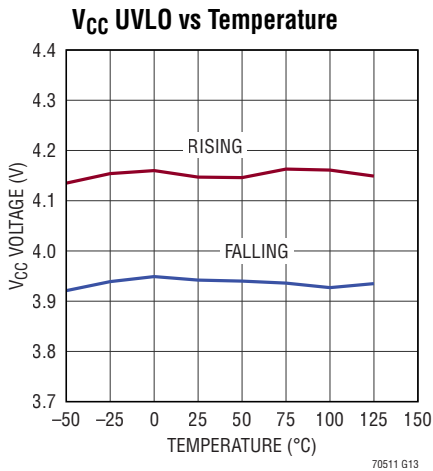
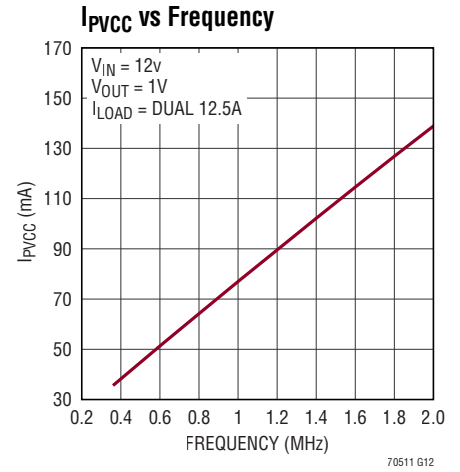
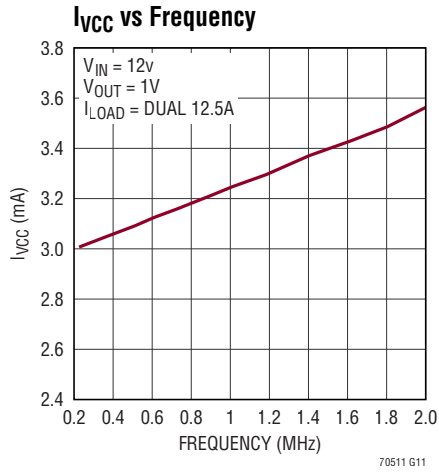
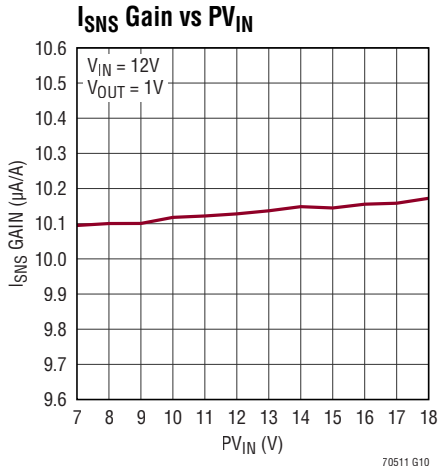
Note 5: The LTC7051A-1 includes overtemperature protection that is intended to protect the device during momentary overload conditions. Junction temperature will exceed 125°C when overtemperature protection is active. Continuous operation above the specified maximum operating junction temperature may impair device reliability.

TYPICAL PERFORMANCE CHARACTERISTICS $T_A = 25^\circ\text{C}$, $V_{IN} = 12\text{V}$, $PV_{CC} = V_{CC} = 5\text{V}$, unless otherwise noted.



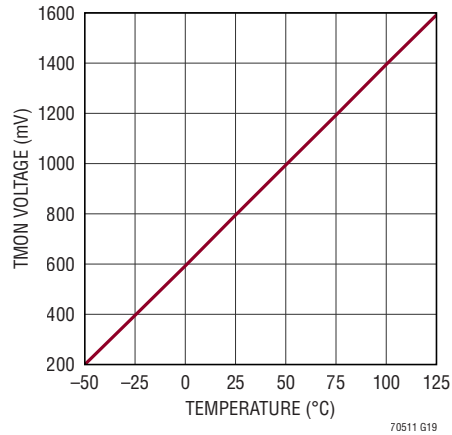
LTC7051-1

TYPICAL PERFORMANCE CHARACTERISTICS $T_A = 25^\circ\text{C}$, $V_{IN} = 12\text{V}$, $PV_{CC} = V_{CC} = 5\text{V}$, unless otherwise noted.

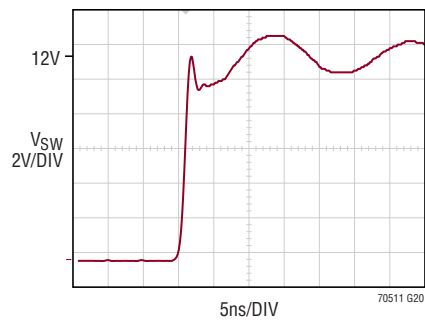


TYPICAL PERFORMANCE CHARACTERISTICS $T_A = 25^\circ\text{C}$, $V_{IN} = 12\text{V}$, $PV_{CC} = V_{CC} = 5\text{V}$, unless otherwise noted.

TMON vs Temperature



Switching Rising Edge



$PV_{IN} = 12\text{V}$
 $I_{LOAD} = 60\text{A}$
 FREQUENCY = 1MHz

PIN FUNCTIONS

FLT_B: Fault Bar Pin. This open-drain pin pulls down when the chip/channel encounters a fault condition such as OC or OCN.

I_{SNS}: Current Sense Pin. This pin sources/sinks instantaneous current equal to 1/100,000 the SW node current, positive and negative.

PGND: Power Stage Ground. This pin is connected to SW through the low side N-channel FET. Also powers the drivers.

PV_{CC}: 5V Driver Supply. This pin powers the low side gate driver directly and the high side gate driver through an internal bootstrapped supply riding on SW. Bypass this pin with a 10 μ F ceramic capacitor to PGND in close proximity to chip.

PWM: PWM Input Pin. With RUN driven high, SW will nominally follow this pin high, low, and Hi-Z. Nominal 3V CMOS logic levels; can be driven with 3V to 5V CMOS signals. Resistor divider holds voltage at 1.7V when in Hi-Z state.

RUN: Run Pin. When this pin is driven high, the channel is enabled. SW node is in Hi-Z state when RUN is low.

SGND: Circuit Ground.

SW1, SW2: Power Stage Switch Node. The output of the power stage, this node is connected to V_{IN} through the high side N-channel FET and to PGND through the low side N-channel FET. SW pins must be connected on the PCB.

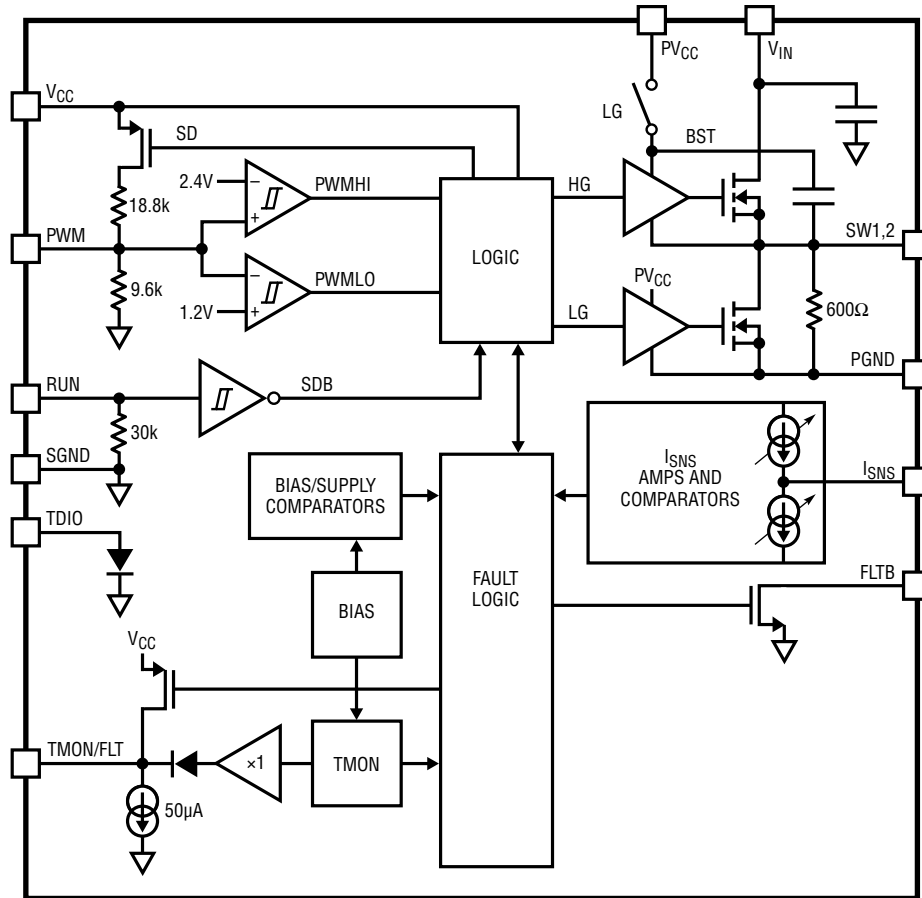
TDIO: Temperature Diode Pin. This pin provides a reference diode to SGND for use in measuring die temperature.

TMON/FLT: Temperature Monitor/Fault Pin. This pin provides a voltage, referred to SGND, of 0.6V to 1.8V corresponding to die temperature of 0°C to 150°C for a gain of 8mV/°C. Above 150°C, the pin is pulled high to indicate an overtemperature (OT) fault. The pin has limited current sinking capability, so multiple like pins can be tied together for highest temperature and single-OT-fault reporting.

V_{CC}: 5V Supply. Bypass this pin with a 1 μ F ceramic capacitor to SGND in close proximity to chip.

V_{IN}: Power Stage Supply. This pin is connected to SW through the high side N-channel FET.

BLOCK DIAGRAM



7051-1 BD

OPERATION

Main Control Architecture

The LTC7051-1 is a single channel integrated-driver half-bridge power MOSFET stage for DC/DC step-down applications. It is designed to be used in a synchronous switching architecture with a controller utilizing 3.3V or 5V PWM three-state outputs. The relationship between the transition thresholds and the three input states of the LTC7051-1 is illustrated in Figure 1.

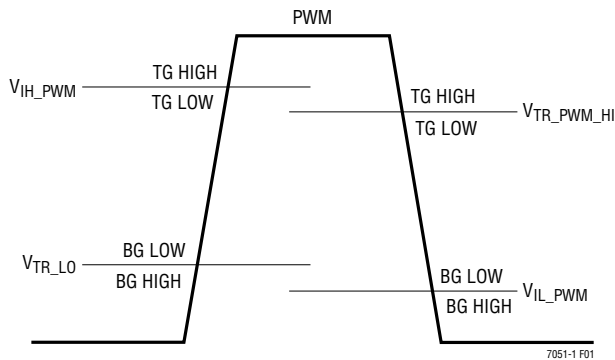


Figure 1. Three-State Input Operation

In normal operation, PWMHI turns on the high side FET, and PWMLO turns on the low side FET. SW node follows the PWM pin with a typical 10ns delay. There is <1ns dead time before SW rises from PGND to V_{IN} and a typical 3ns dead time after SW falls.

The high side FET driver is powered from the internal BST node to SW via an internal integrated switch and capacitor, which allows lower dropout than achievable with a typical diode as well as higher-frequency operation.

Current Sense

Real-time current sense amplifiers provide a scaled-down version of SW current. During PWMHI or PWMLO, the I_{SNS} pin sources or sinks, according to SW current direction, a current equal to 1/100,000 the instantaneous SW current.

Associated current comparators flag high side FET positive overcurrent (OC) and low side FET negative overcurrent (OCN). Zero-current of both FETs are also detected by associated current comparators.

Temperature Monitor and Overtemperature Fault

Normally, TMON outputs a voltage from 0.6V to 1.8V, corresponding to a die temperature range of 0°C to 150°C. The TMON voltage is calculated by:

$$V_{TMON} (V) = 800mV + (T_J (^\circ C) - 25^\circ C) \cdot (8mV/^\circ C)$$

Figure 2 illustrates the relationship between V_{TMON} and die temperature.

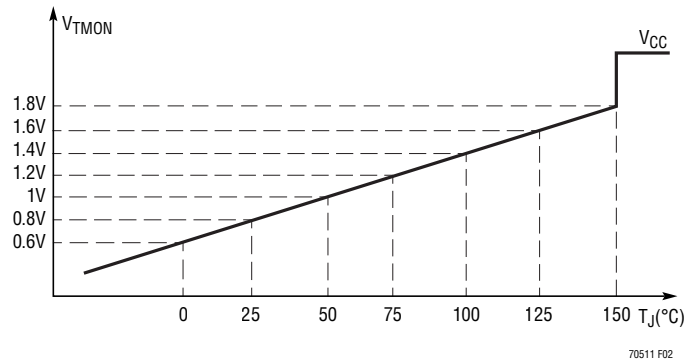


Figure 2. V_{TMON} vs Die Temperature

TMON is driven by an amplifier that can source current but has limited sinking capacity. This allows multiple TMON pins to be paralleled, with the highest temperature being reported. Overtemperature is triggered at 150°C (typical), and it causes the TMON pin to be pulled high to V_{CC} . The overtemperature fault will be cleared once the internal temperature falls 40°C (typical) below the threshold.

TDIO pin is internally connected to the anode of a P/N junction diode while the cathode is connected to SGND. It provides an alternative measurement of die temperature for the controllers, such as LTC3884-1, to measure the die temperature using direct V_{BE} method or ΔV_{BE} method.

Voltage Fault Conditions

When V_{CC} or PV_{CC} is in UVLO, or V_{IN} is in OVLO, SW will not respond to PWM and both top FET and bottom FET are off.

When BST-to-SW voltage is in UVLO, SW will not respond to a PWMHI until a PWMLO is provided such that BST-to-SW voltage is recharged sufficiently.

OPERATION

Over Current Fault Conditions

When the high side FET is on, instantaneous SW current of $>180\text{A}$ (net current flowing out of SW) will trip the overcurrent (OC) comparator and set the internal OC state. When this happens, regardless of PWM pin state, the high side FET will be turned off, and the low side FET will be turned on until SW current decreases to 10A , at which point OC state will be reset. Normal PWMHI-to-high-side-FET and PWMLO-to-low-side-FET operation resumes.

When the low side FET is on, instantaneous SW current of $<-90\text{A}$ (net current flowing into SW) will trip the OCN comparator. When this happens, regardless of PWM pin state, the low side FET will be turned off and the high side FET will be turned on until SW current increases to -16A , at which point OCN state will be reset. Normal PWMHI-to-high-side-FET and PWMLO-to-low-side-FET operation resumes. The trigger and reset of over current condition are illustrated in Figure 3.

In either OC or OCN condition, FLTBI is pulled down.

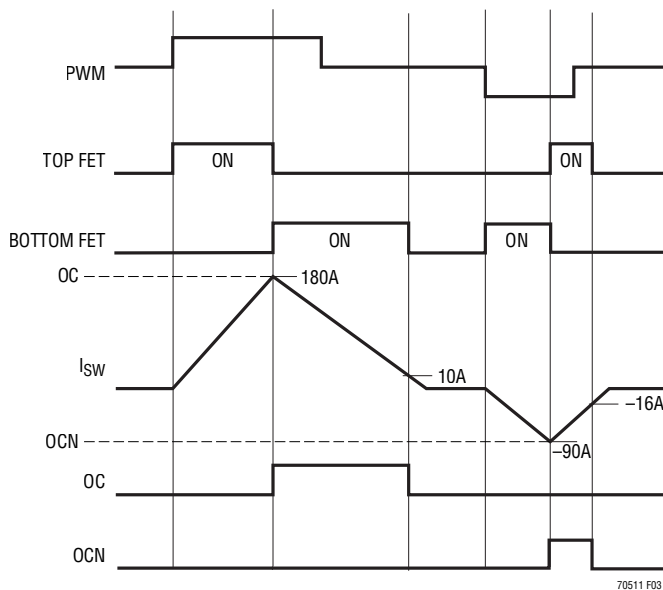


Figure 3. Over Current Conditions

Active Diode Mode

If PWM goes from high to Hi-Z state while large ($>10\text{A}$) currents are still flowing through the top FET from V_{IN} to SW, the top FET will turn off and the bottom FET will turn on to freewheel the current until it has been ramped down. If PWM goes from high to Hi-Z state while large ($\geq 16\text{A}$) currents are still flowing through the top FET from SW to V_{IN} , the top FET will not turn off until the current has been ramped down.

Similarly, if PWM goes from low to Hi-Z state while large ($\geq 16\text{A}$) currents are still flowing through the bottom FET from SW to PGND, the bottom FET will turn off, and the top FET will turn on to freewheel the current until it has been ramped down. If PWM goes from high to Hi-Z state while large ($>10\text{A}$) currents are still flowing through the bottom FET from PGND to SW, the bottom FET will not turn off until the current has been ramped down.

APPLICATIONS INFORMATION

Power Sequence

The V_{CC} and PV_{CC} of LTC7051-1 should be biased before V_{IN} is present and power down after V_{IN} is removed. Do not force RUN pin voltages above V_{CC} voltage. Make sure that the LTC7051-1 has been biased appropriately and the RUN pin of LTC7051-1 is pulled up before enabling the PWM controller.

Fault Management

The fault management and shutdown mode of LTC7051-1 is summarized in Table 1. Connecting the open-drain output FLT pin to the controller's RUN pin can prevent the controller from starting up and force the converter to restart once the LTC7051-1 runs into fault conditions, except BST-to-SW undervoltage fault.

Table 1. Fault Management and Shutdown Mode Summary

	FLT	RESPOND TO PWM	TMON
V_{IN} OVLO	Low	No, Both FETs Off When $I_{SW} = 0$	Report Temperature
V_{CC} UVLO	Low	No, Both FETs Immediate Off	Floating
PV_{CC} UVLO	Low	No, Both FETs Off When $I_{SW} = 0$.	Report Temperature
Positive OC	Low	No, Top FET Immediate Off	Report Temperature
Negative OC	Low	No, Bottom FET Immediate Off	Report Temperature
Overtemperature	Low	Yes	Pull Up to V_{CC} .
BST-to-SW UV	High	Ignore PWMHI	Report Temperature
RUN Shutdown	Low	No, Both FETs Immediate Off	Floating

Current Sense and Current Limit

I_{SNS} sources and sinks a current which is 1/100,000 of the SW current. According to the controller's maximum current sense signal range, select a proper resistor to convert the I_{SNS} current into a differential voltage signal reflecting the real-time SW current. The resistor should be biased at a low impedance common mode voltage, which has current sinking and sourcing capability. Make sure that at the maximum positive current and negative current, the I_{SNS} pin voltage is in the specified range so that the gain I_{SNS}/I_{SW} remains constant.

A general LTC7051-1 application circuit is shown on the first page of this data sheet. LTC7051-1 is optimized for the application of high frequency high current voltage regulator. External component selection is largely driven by the load requirement and begins with the selection of the switching frequency f_{SW} and inductor L. Once the inductor is chosen, the input capacitor, C_{IN} , the output capacitor, C_{OUT} , can be selected. The I_{SNS} resistors are selected to set the current limit.

Frequency Selection

The selection of switching frequency is a trade-off between efficiency and component size. Low frequency operation increases efficiency by reducing FET switching losses, but requires larger inductance and/or capacitance to maintain low output ripple voltage. In the selection of switching frequency, make sure that the high side on-time at maximum input voltage is longer than LTC7051-1's minimum on-time, $t_{ON(MIN)}$, which is the smallest time duration that the LTC7051-1 is capable of turning on the top FET. It is determined by internal timing delays, power stage timing delays and the gate charge required to turn on the top FET. Low duty cycle applications may approach this minimum on-time limit (see Equation 1).

$$t_{ON(MIN)} < \frac{V_{OUT}}{V_{IN} \cdot f_{SW}} \quad (1)$$

Input Capacitors

The LTC7051-1 should be connected to a V_{IN} supply through low impedance power planes. Ceramic input capacitors should be placed as close to the package as physically possible, with size and quantity appropriate for temperature rise with ripple current as calculated below.

For a buck converter, the switching duty cycle can be estimated by Equation 2.

$$D = \frac{V_{OUT}}{V_{IN}} \quad (2)$$

APPLICATIONS INFORMATION

Without considering the inductor ripple current, for each output, the RMS current of the input capacitor can be estimated by Equation 3.

$$I_{CIN(RMS)} = \frac{I_{OUT(MAX)}}{\eta} \cdot \sqrt{D \cdot (1-D)} \quad (3)$$

where η is the estimated efficiency of the power section.

Inductor Selection

Given the desired input and output voltages, the inductor value and operating frequency, f_{OSC} , directly determine the inductor's peak-to-peak ripple current (Equation 4).

$$I_{RIPPLE} = \frac{V_{OUT}}{V_{IN}} \left(\frac{V_{IN} - V_{OUT}}{f_{SW} \cdot L} \right) \quad (4)$$

Lower ripple current reduces core losses in the inductor, ESR losses in the output capacitors and output voltage ripple. Thus, highest efficiency operation is obtained at low frequency with a small ripple current. Achieving this, however, requires a large inductor. A reasonable starting point is to choose a ripple current that is about 40% of $I_{OUT(MAX)}$. Note that the largest ripple current occurs at the highest input voltage. To guarantee that ripple current does not exceed a specified maximum, the inductor should be chosen according to Equation 5.

$$L \geq \left(\frac{V_{IN} - V_{OUT}}{f_{SW} \cdot I_{RIPPLE}} \right) \cdot \frac{V_{OUT}}{V_{IN}} \quad (5)$$

Once the inductance value is determined, the type of inductor must be selected. Core loss is independent of core size for a fixed inductor value, but it is very dependent on inductance selected. As inductance increases, core losses go down. Unfortunately, increased inductance requires more turns of wire and therefore copper losses will increase. Ferrite designs have very low core loss and are preferred at high switching frequencies, so design goals can concentrate on copper loss and preventing saturation. Ferrite core material saturates **hard**, which means that inductance collapses abruptly when the peak design

current is exceeded. This results in an abrupt increase in inductor ripple current and consequent output voltage ripple. Do not allow the core to saturate!

Output Capacitors

The LTC7051-1 is designed for high frequency switching and low output voltage ripple noise. The bulk output capacitors defined as C_{OUT} are chosen with low enough effective series resistance (ESR) to meet the output voltage ripple and transient requirements. C_{OUT} can be a low ESR tantalum capacitor, a low ESR polymer capacitor, or ceramic capacitors. At 1MHz, the typical output capacitance range is from 500 μ F to 1000 μ F. Additional output filtering may be required by the system designer if further reduction of output ripple or dynamic transient spikes is required.

Bypassing and Grounding

The LTC7051-1 requires proper bypassing on the PV_{CC} and V_{CC} supplies due to its high speed switching (nanoseconds) and large AC currents (amperes). Careless component placement and PCB trace routing may cause excessive ringing and under/overshoot. Follow the following steps to obtain the optimum performance from the LTC7051-1.

- Mount the bypass capacitors as close as possible between the V_{CC} and SGND pins, and the PV_{CC} and PGND pins. The traces should be shortened as much as possible to reduce lead inductance.
- Use a low inductance, low impedance ground plane to reduce any ground drop and stray capacitance. Any significant ground drop will degrade signal integrity.
- Plan the power/ground routing carefully. Know where the large load switching current is coming from and going to. Maintain separate ground return paths for the input pin and the output power stage.
- Be sure to solder the Exposed Pad on the back side of the LTC7051-1 packages to the board. Failure to make good thermal contact between the exposed back side and the copper board will result in far greater thermal resistances.

APPLICATIONS INFORMATION

PCB Layout

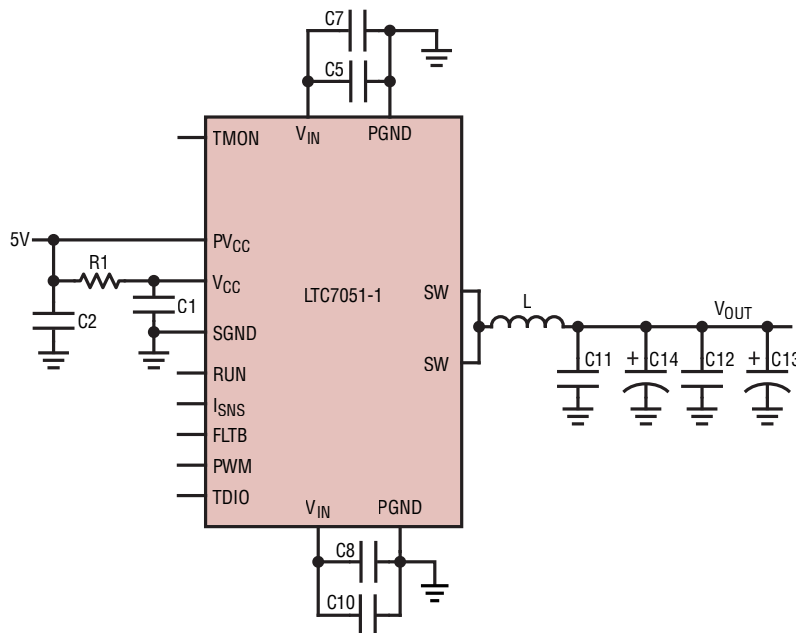
Due to the LTC7051-1's high power density and high speed, high frequency operation, proper PCB layout and composition are critical to maximizing performance.

At a minimum, the PCB should be 4-layer with at least top and bottom layers 2oz. copper. As much as possible, top and bottom layers should be continuous V_{IN} and PGND areas. At least one inner layer, preferably the second, should be a continuous PGND plane.

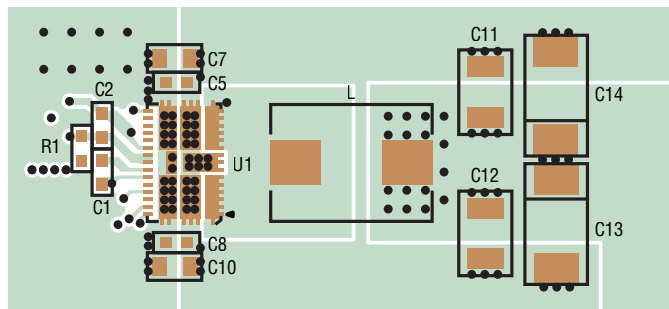
Copper-filled vias should be used under the package exposed pads to connect top and bottom PCB layers. $\theta_{JCbottom}$ is $<1^{\circ}\text{C}/\text{W}$. Anything less than copper-filled vias will compromise θ_{JA} greatly.

The inductor pads should be placed as close as possible to the package, with traces as short and wide as possible. If possible, SW traces should be doubled up with the second layer, taking care not to couple to sensitive traces.

A recommended PCB layout is shown in Figure 4b.



(a) Schematic

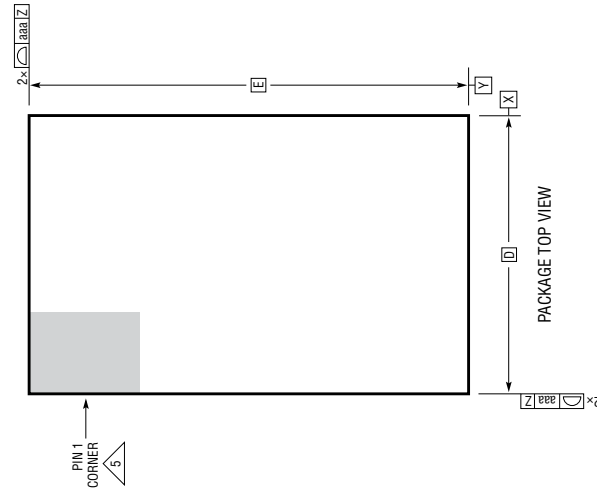
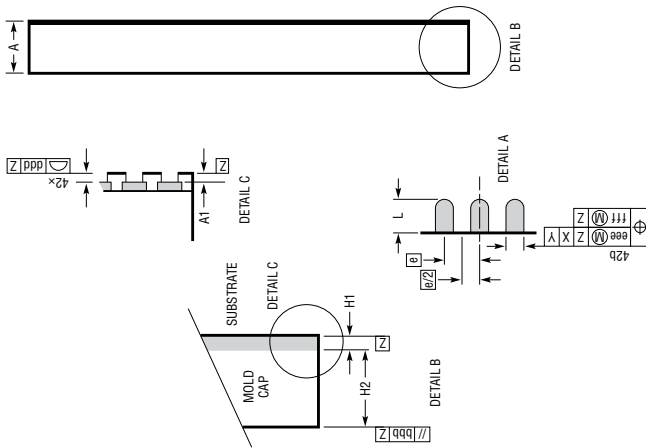
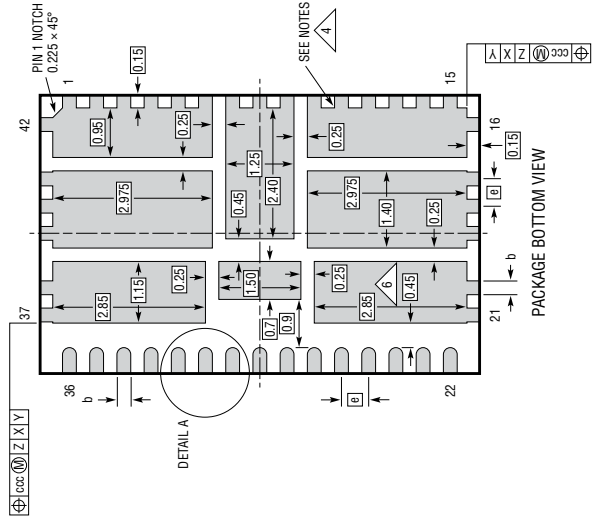


(b) Example PCB Layout

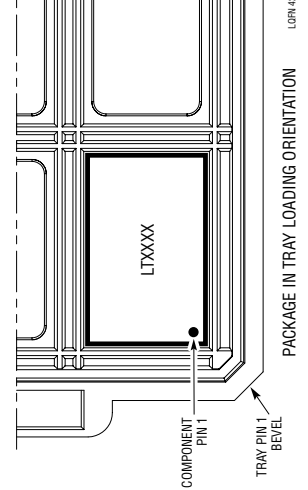
Figure 4.

PACKAGE DESCRIPTION

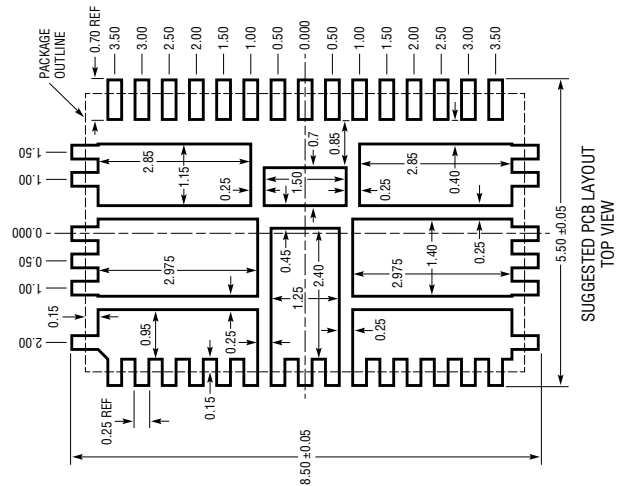
LQFN Package
42-Lead (5mm × 8mm × 0.95mm)
 (Reference LTC DWG # 05-08-1571 Rev B)



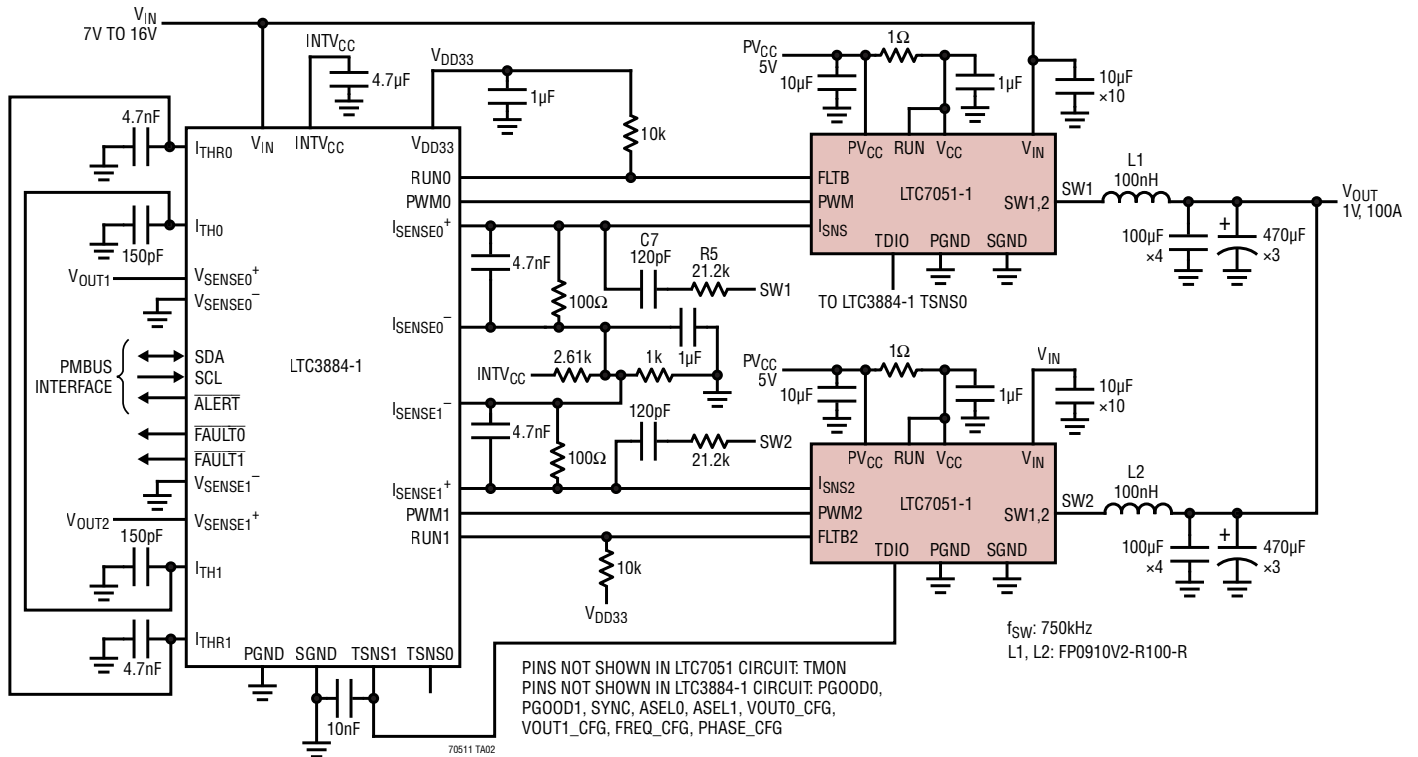
- NOTES:
1. DIMENSIONING AND TOLERANCING PER ASME Y14.5M-1994
 2. ALL DIMENSIONS ARE IN MILLIMETERS
 3. PRIMARY DATUM - Z - IS SEATING PLANE
 4. METAL FEATURES UNDER THE SOLDER MASK OPENING NOT SHOWN SO AS NOT TO OBSCURE THESE TERMINALS AND HEAT FEATURES
 5. DETAILS OF PIN 1 IDENTIFIER ARE OPTIONAL, BUT MUST BE LOCATED WITHIN THE ZONE INDICATED. THE PIN 1 IDENTIFIER MAY BE EITHER A MOLD OR MARKED FEATURE
 6. THE EXPOSED HEAT FEATURE IS SEGMENTED AND ARRANGED IN A MATRIX FORMAT. IT MAY HAVE OPTIONAL CORNER RADII ON EACH SEGMENT



SYMBOL	MIN	NOM	MAX	NOTES
A	0.85	0.95	1.05	
A1		0.40	0.50	
L	0.30	0.40	0.50	
b	0.22	0.25	0.28	
D		5.00		
E		8.00		
e		0.50		
H1		0.25 REF		SUBSTRATE THK
H2		0.70 REF		MOLD CAP HT
aaa		0.10		
bbb		0.10		
ddd		0.10		
eee		0.15		
fff		0.08		



TYPICAL APPLICATION



RELATED PARTS

PART NUMBER	DESCRIPTION	COMMENTS
LTC7051	SilentMOS Smart Power Stage in 5mm × 8mm LQFN	140A Peak Current, Silent Switcher 2 Architecture, V_{IN} Up to 14V, 5mm × 8mm LQFN Package
LTC7050	Dual SilentMOS Smart Power Stage in 5mm × 8mm LQFN	70A Peak Current per Channel, Silent Switcher 2 Architecture, V_{IN} Up to 14V, 5mm × 8mm LQFN Package
LTC7050-1	Dual SilentMOS Smart Power Stage in 5mm × 8mm LQFN	70A Peak Current per Channel, Silent Switcher 2 Architecture, V_{IN} Up to 16V, 5mm × 8mm LQFN Package
LTC3888/LTC3888-1	Dual Output 8-Phase Step-Down DC/DC Controller with Digital Power System Management	$4.5V \leq V_{IN} \leq 26.5V$, $0.3V \leq V_{OUT} \leq 3.45V$, I^2C /PMBus, Programmable Loop Compensation, 5mm × 8mm QFN-52
LTC3884/LTC3884-1	Dual Output PolyPhase Step-Down Controller with Sub-Milliohm DCR Sensing and Digital Power System Management	$4.5V \leq V_{IN} \leq 38V$, $0.5V \leq V_{OUT} \leq 5.5V$, I^2C /PMBus, Programmable Loop Compensation, 5mm × 8mm QFN-52
LTC7851	Quad Output Multiphase Step-Down Voltage Mode DC/DC Controller with Accurate Current Sharing	Operates with DrMOS, Power Blocks or External Drivers/MOSFETs, V_{IN} Range Depends on External Components, $4.5V \leq V_{CC} \leq 5.5V$, $0.6V \leq V_{OUT} \leq V_{CC} - 0.5V$
LTC7852/LTC7852-1	Dual Output 6-Phase Current Mode Synchronous Buck Controller with Current Monitoring	Operates with DrMOS, Power Blocks, $0.5V \leq V_{OUT} \leq 2V$, Hiccup Mode Overcurrent Protection, Flexible Phase Configuration
LTC3861	Dual, Multiphase Step-Down Voltage Mode DC/DC Controller with Accurate Current Sharing	Operates with Power Blocks, DrMOS or External Drivers/MOSFETs $3V \leq V_{IN} \leq 24V$
LTC3882/LTC3882-1	Dual Output Multiphase Step-Down DC/DC Voltage Mode Controller with Digital Power System Management	$3V \leq V_{IN} \leq 38V$, $0.5V \leq V_{OUT1,2} \leq 5.25V$, $\pm 0.5\% V_{OUT}$ Accuracy I^2C /PMBus Interface, uses DrMOS or Power Blocks
LTC3887/LTC3887-1	Dual Output Multiphase Step-Down DC/DC Controller with Digital Power System Management, 70mS Start-Up	$4.5V \leq V_{IN} \leq 24V$, $0.5V \leq V_{OUT0,1} (\pm 0.5\%) \leq 5.5V$, 70mS Start-Up, I^2C /PMBus Interface, -1 Version uses DrMOS or Power Blocks