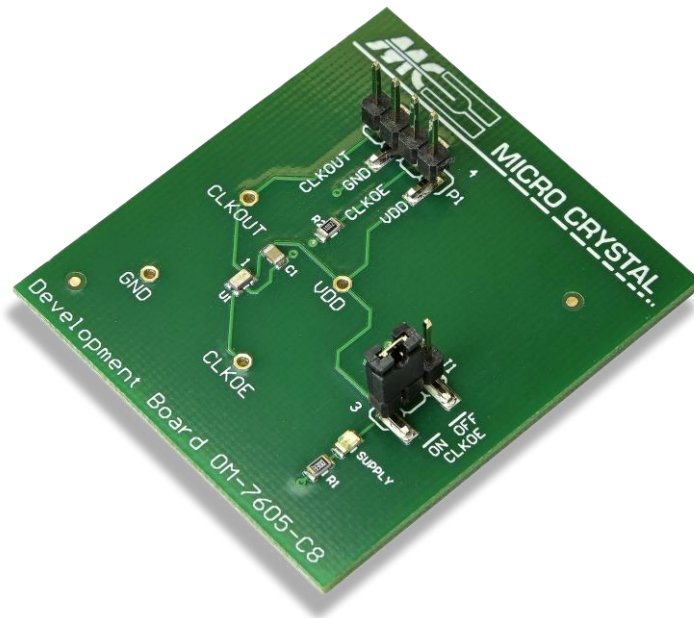


# DEVELOPMENT BOARD



# OM-7605-C8

Low Power Clock Oscillator

32.768 kHz

## OM-7605-C8

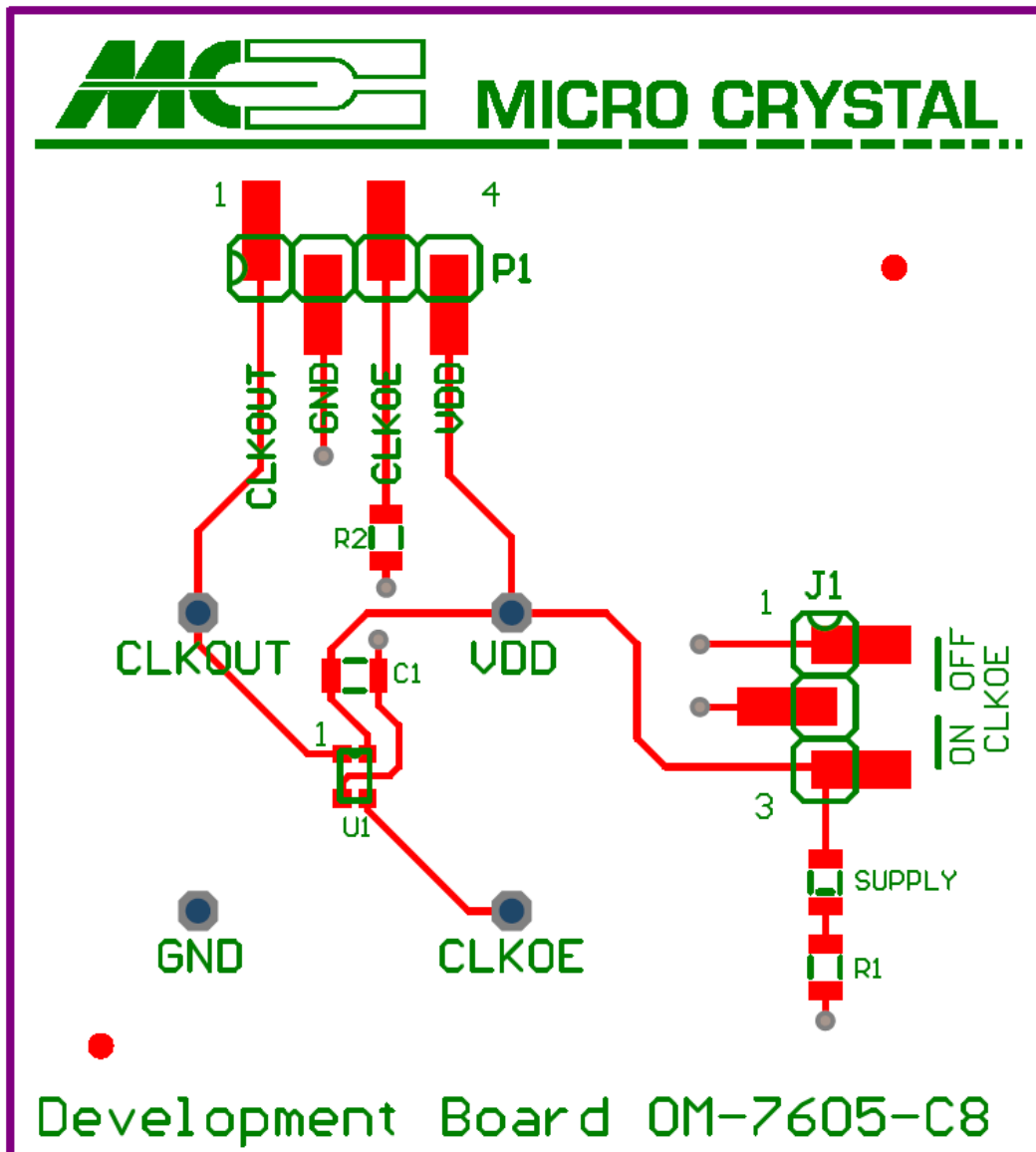
The OM-7605-C8 is soldered onto the Development Board.

Every pin is either accessible at test pins 1 – 4 or at the test vias situated around the device.

The following passive components are already soldered on the board:

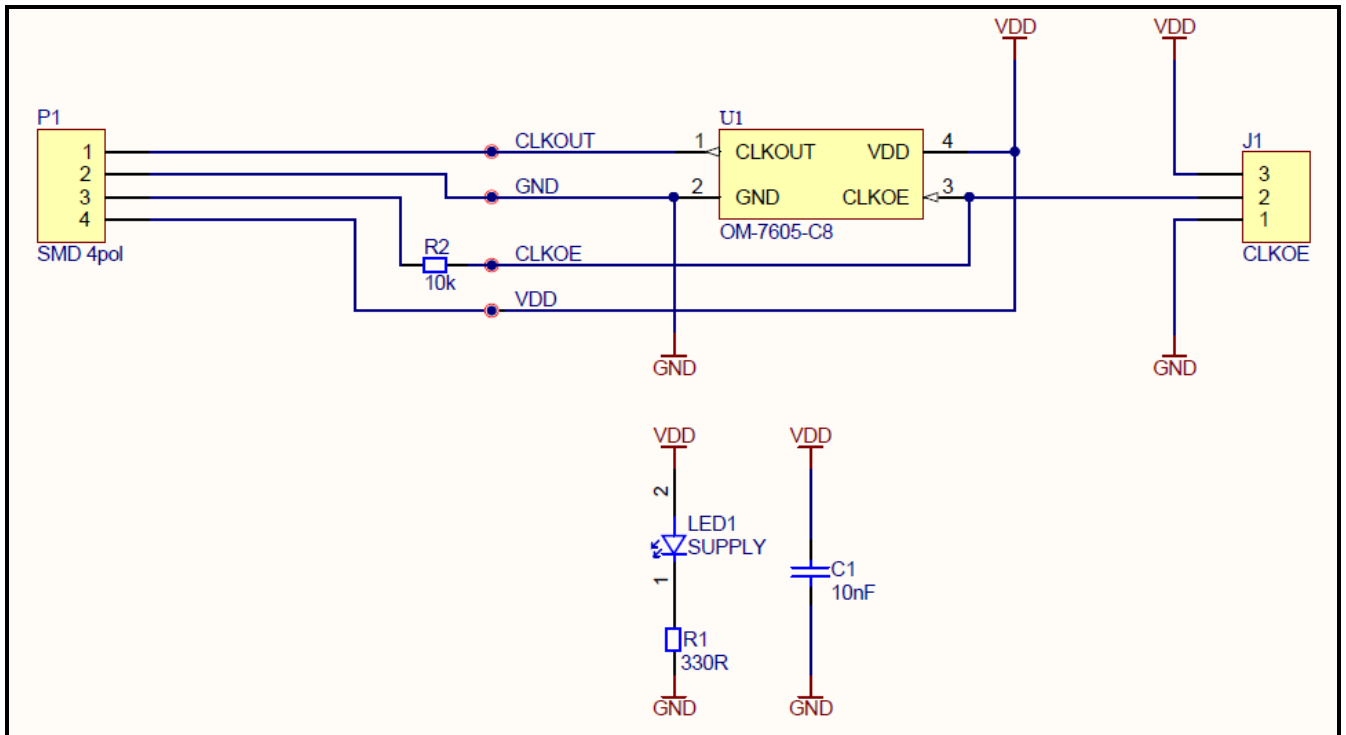
C1	10 nF	Decoupling capacitor between $V_{SS}$ and $V_{DD}$
R1	330 $\Omega$	Current limiting resistor for LED
LED	green	Supply on, current consumption of the LED has to be considered
R2	10 k $\Omega$	Protection resistor to prevent short-circuit between external CLKOE signal and Jumper.

### DEVELOPMENT BOARD



JUMPER 1
CLKOE = LOW
CLKOE = HIGH

**SCHEMATICS**



**PINOUT OM-7605-C8**



**PIN DESCRIPTION**

Symbol	Pin #	Description
CLKOUT	1	Clock output
GND	2	Ground
CLKOE	3	Clock Output Enable
V <sub>DD</sub>	4	Power Supply Voltage

Datasheet and Application-Manual are available for download under: [www.microcrystal.com](http://www.microcrystal.com)