

3300-4200MHz 11dBi Omnidirectional Fiberglass Antenna, N Female Connector



Antennas Technical Data Sheet

PE51OM1052

Features

- All weather operation
- Includes heavy duty steel mast mounting brackets
- Lightweight fiberglass radome
- Integral N-Female connector
- Commercial grade design
- 360° Omnidirectional Pattern

Applications

- Point to Multipoint and Non Line of Sight (NLOS) Applications
- 11 dBi gain
- 3500 CBRS and EU C-Band Cellular Band Operation

Description

The single port high performance outdoor omnidirectional fiberglass antenna PE51OM1052 from Pasternack is in stock and ready to ship the same day you order it. Specifically designed for Wi-Fi networks, the fiberglass radome type N female PE51OM1052 has a frequency range of 3300MHz to 4200MHz. This outdoor rated 11dBi gain fiberglass antenna includes an N-type female connector. The reasonably priced rugged omnidirectional antenna provides excellent coverage in rural or difficult-to-reach areas.

Our Omni antenna specialists are ready and available to answer any questions you may have about the PE51OM1052 single port omnidirectional fiberglass antenna. The gray N female fiberglass antenna supports the unlicensed 3.3 GHz band. These PE51OM1052 omnidirectional antennas provide simple mounting solutions for easy deployment.

Contact Pasternack's expert technical support for assistance with the omnidirectional fiberglass antenna or any antenna. Download our PE51OM1052 datasheet with specifications and CAD drawing with dimensions for details. Our knowledgeable sales team simplifies the purchasing process and ensures that your 11dBi 3.3 GHz to 4.2 GHz single port omnidirectional antenna will be exact to specification.

The fiberglass antenna PE51OM1052 from Pasternack has high gain which allows for range extending 4-8 x farther than typical antennas. Order your single port 11dBi omnidirectional Fiberglass Antenna PE51OM1052 from Pasternack today. There is no MOQ (minimum order quantity) and the product ships from our warehouse the same day.

Configuration

Radiation Pattern	Omni Directional
Polarization	Vertical
Connector Type	N Female
Number of Ports	1

Electrical Specifications

Description	Minimum	Typical	Maximum	Units
Frequency Range	3,300		4,200	MHz
Input VSWR		2:1		
Impedance		50		Ohms
Gain		11		dB
Horizontal Beam Width			360	Degrees
Vertical Beam Width			7	Degrees
Input Power			50	Watts

Click the following link (or enter part number in "SEARCH" on website) to obtain additional part information including price, inventory and certifications: [3300-4200MHz 11dBi Omnidirectional Fiberglass Antenna, N Female Connector PE51OM1052](#)

3300-4200MHz 11dBi Omnidirectional Fiberglass
Antenna, N Female Connector



Antennas Technical Data Sheet

PE51OM1052

Mechanical Specifications

Radome Material	Fiberglass
Size	
Overall Length	36 in [914.4 mm]
Width	2 in [50.8 mm]
Height	2 in [50.8 mm]
Weight	24 lbs [10.89 kg]

Environmental Specifications

Temperature	
Operating Range	-40 to +70 deg C
Wind Loading	124.274 MPH [200 KPH]
Humidity	5 to 95
Ingress Protection	IP67

Compliance Certifications (see [product page](#) for current document)

Plotted and Other Data

Notes:

3300-4200MHz 11dBi Omnidirectional Fiberglass Antenna, N Female Connector from Pasternack Enterprises has same day shipment for domestic and International orders. Our RF, microwave and millimeter wave products maintain a 99.4% availability and are part of the broadest selection in the industry.

Click the following link (or enter part number in "SEARCH" on website) to obtain additional part information including price, inventory and certifications: [3300-4200MHz 11dBi Omnidirectional Fiberglass Antenna, N Female Connector PE51OM1052](#)

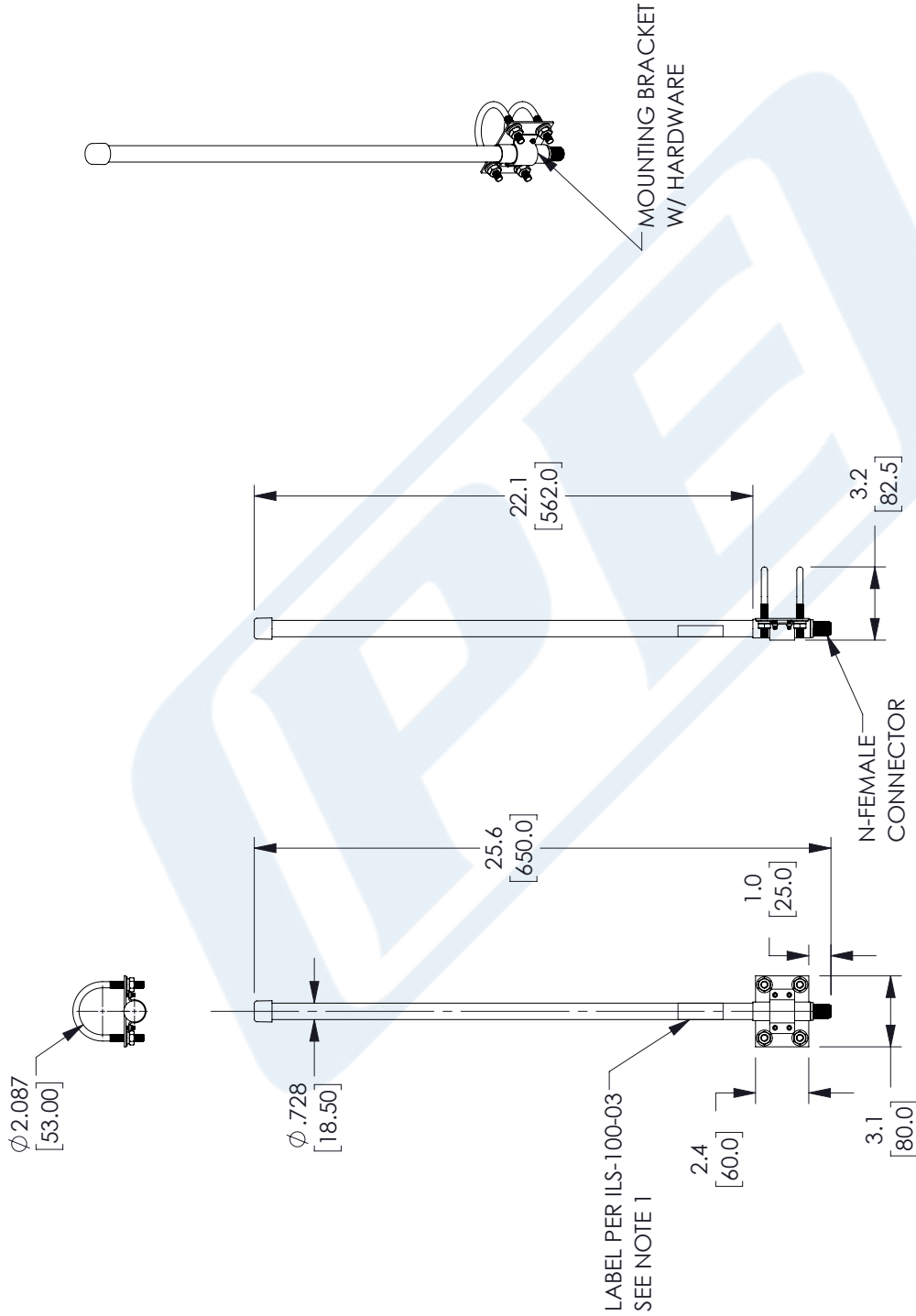
URL: <https://www.pasternack.com/3300-4200mhz-11dbi-omnidirectional-fiberglass-antenna-n-female-connector-pe51om1052-p.aspx>

The information contained in this document is accurate to the best of our knowledge and representative of the part described herein. It may be necessary to make modifications to the part and/or the documentation of the part, in order to implement improvements. Pasternack reserves the right to make such changes as required. Unless otherwise stated, all specifications are nominal. Pasternack does not make any representation or warranty regarding the suitability of the part described herein for any particular purpose, and Pasternack does not assume any liability arising out of the use of any part or documentation.

PE51OM1052 CAD Drawing

3300-4200MHz 11dBi Omnidirectional Fiberglass Antenna, N Female Connector

REVISIONS			
REV.	DESCRIPTION	DATE	APPROVED
A	INITIAL RELEASE	03/02/2022	WZHANG



UNLESS OTHERWISE SPECIFIED LEADING DIMENSIONS ARE INCHES DIMENSIONS IN [] ARE MILLIMETERS

TOLERANCES:

.X = ±.2	[5.08]	FRACTIONS
.XX = ±.02	[.51]	±.1/32
.XXX = ±.005	[.13]	ANGLES ± 1°

CABLE LENGTH (L) TOLERANCES:

L ≤ 12	[305]	= +1 [25] / -0
12 [305] < L ≤ 60	[1524]	= +2 [51] / -0
60 [1524] < L ≤ 120	[3048]	= +4 [102] / -0
120 [3048] < L ≤ 300	[7620]	= +6 [152] / -0
300 [7620] < L		= +5%L / -0

ALL DIMENSIONS SHOWN ARE FOR REFERENCE ONLY.

THIRD-ANGLE PROJECTION

THE INFORMATION AND DESIGN IN THIS DOCUMENT IS THE PROPERTY OF PASTERNAK CORPORATION ALL RIGHTS RESERVED.

SHEET 1 OF 1

SCALE N/A

REV A

PE PASTERNAK an INFINITI[®] brand

Pasternack Enterprises, Inc.
P. O. Box 16759, Irvine, CA 92623.
Phone: 1.949.261.1920 | 1.866.727.8376
Fax: 1.949.261.7451
Website: www.pasternack.com
E-mail: sales@pasternack.com

ITEM NO. PE51OM1052

SIZE A CAGE CODE A 53919 DRAWN BY WZHANG

NOTES:
1. LABEL PER ILS-100-03 (FOR INTERNAL REFERENCE ONLY)
LABEL LOCATION FOR REFERENCE ONLY

THESE COMMODITIES, TECHNOLOGY OR SOFTWARE WERE EXPORTED FROM THE UNITED STATES IN ACCORDANCE WITH THE EXPORT ADMINISTRATION REGULATIONS. DIVERSION CONTRARY TO U.S. LAW PROHIBITED.