



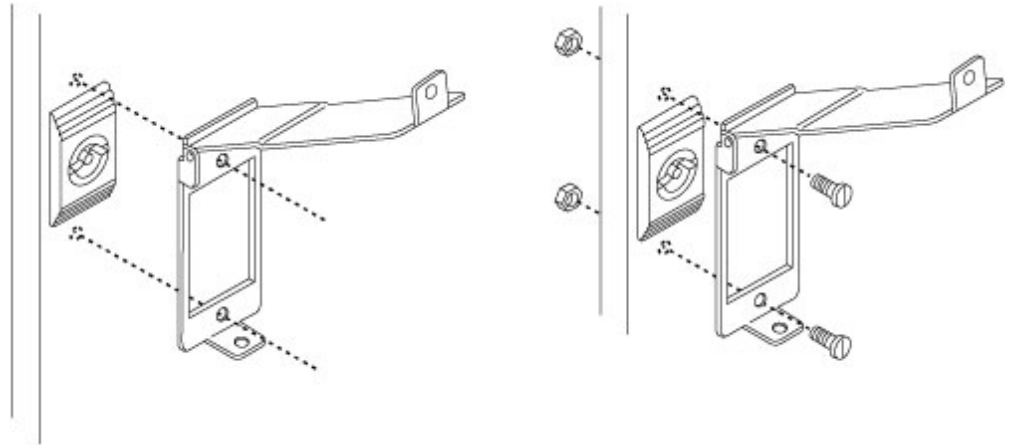
Quality Products. Service Excellence.

## PW Series Padlock Adaptor *PWPA Series*

**Note:** This product line has been discontinued as a stocked series. Information is for reference only. For alternative solution assistance, please **contact Hammond here** or call: USA (716) 630-7030, Canada and International (519) 822-2960.



- Permits installation of padlock over the standard "Double Bar" quarter turn.
- 1.5 mm thick stainless steel.
- Easy installed in the field.



**Padlocking Lock System Installation**

Part No. **PWPA**

*Data subject to change without notice*

© 2023. Hammond Manufacturing Ltd. All rights reserved.