

Introduction

The STM8A-DISCOVERY helps you discover the STM8AF and STM8AL automotive microcontroller family features and develop your applications through two dedicated application boards that can be connected together via a LIN network.

The STM8AF board can perform both CAN and LIN communications with the MCU powered at 5 V and is ready to be connected into a network with its integrated transceiver. The STM8AL board manages LIN slave communication through its transceiver and uses a 4-digit alphanumeric LCD display with the MCU powered at 3.3 V, offering low energy power modes.

Both STM8AF and STM8AL boards include push buttons, LEDs, external connectors and allow various configurations to take advantage of the numerous capabilities of the microcontrollers.

Figure 1. STM8A-DISCOVERY

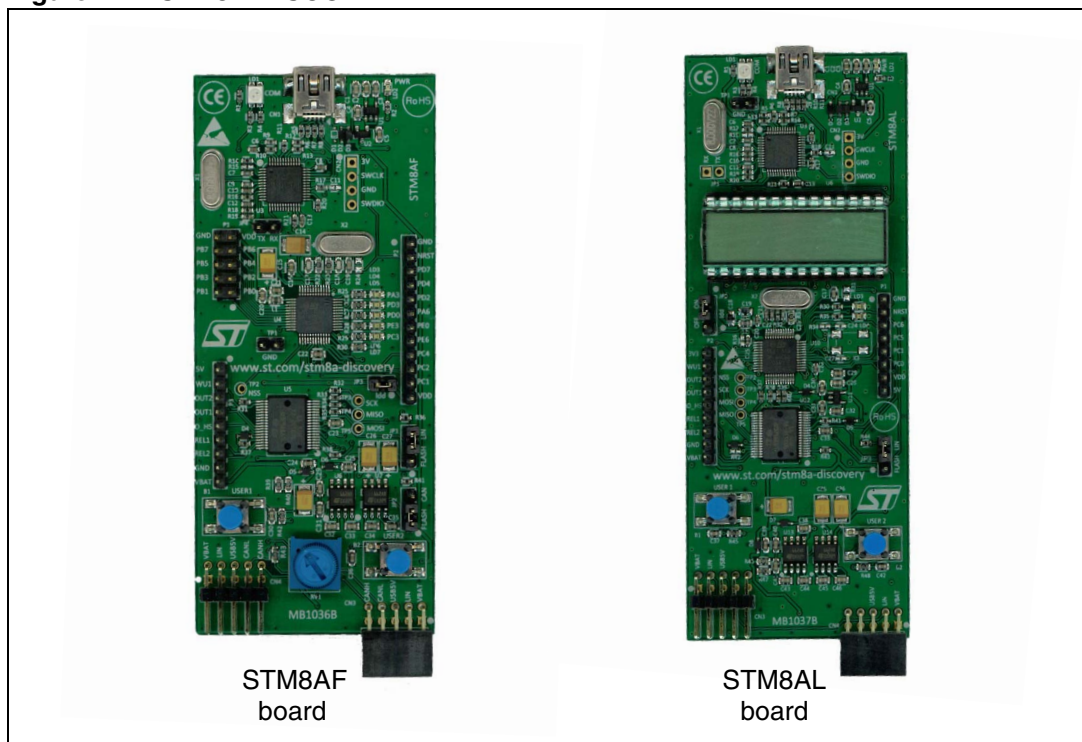


Figure 2. Applicable tools

Type	Part number
Evaluation tools	STM8A-DISCOVERY

Contents

- 1 Conventions 6**
- 2 Quick start 7**
 - 2.1 Getting started 7
 - 2.2 System requirements 7
 - 2.3 Development toolchains supporting the STM8A-DISCOVERY 7
- 3 Features 8**
- 4 Hardware and layout 9**
 - 4.1 STM8A-DISCOVERY common resources 9
 - 4.1.1 Embedded ST-LINK/V2 9
 - 4.1.2 Debugging STM8A-DISCOVERY 10
 - 4.1.3 Power supply 11
 - 4.1.4 L99PM62GXP power management IC with LIN and high speed CAN . 11
 - 4.2 STM8AF board dedicated resources 14
 - 4.2.1 STM8AF5288T microcontroller 17
 - 4.2.2 STM8AF board LEDs 19
 - 4.2.3 STM8AF board Push buttons 19
 - 4.2.4 STM8AF board solder bridges 20
 - 4.2.5 STM8AF board jumpers selection 21
 - 4.2.6 STM8AF board extension connection 21
 - 4.3 STM8AL board dedicated resources 23
 - 4.3.1 STM8AL3L68T microcontroller 26
 - 4.3.2 STM8AL board LEDs 28
 - 4.3.3 STM8AL board Push buttons 28
 - 4.3.4 STM8AL board built-in I_{DD} measurement circuit 28
 - 4.3.5 STM8AL board LCD (16 segments, 4 commons) 31
 - 4.3.6 STM8AL board solder bridges 33
 - 4.3.7 STM8AL board jumpers selection 33
 - 4.3.8 STM8AL board extension connection 34
- 5 STM8A-DISCOVERY boards mechanical drawing 35**
 - 5.1 STM8AF board mechanical drawing 35

5.2	STM8AL board mechanical drawing	36
6	STM8AF board electrical schematics	37
7	STM8AL board electrical schematics	41
8	Revision history	47

List of tables

Table 1.	ON/OFF conventions	6
Table 2.	STM8AF board solder bridges	20
Table 3.	STM8AF board jumper selection	21
Table 4.	STM8AF board P1 pinout microcontroller connectivity	21
Table 5.	STM8AF board P2 pinout microcontroller connectivity	22
Table 6.	STM8AF board P3 pinout L99PM62GXP connectivity	22
Table 7.	LCD connections	32
Table 8.	STM8AL board solder bridges	33
Table 9.	STM8AL board jumpers selection.	33
Table 10.	STM8AL board P1 pinout Microcontroller connectivity	34
Table 11.	STM8AL board P2 pinout L99PM62GXP connectivity	34
Table 12.	Document revision history	47

List of figures

Figure 1.	STM8A-DISCOVERY	1
Figure 2.	Applicable tools	1
Figure 3.	Debugging the STM8AF microcontroller when the STM8AL board or an external application board is connected	10
Figure 4.	Debugging the STM8AL microcontroller when the STM8AF board or an external application board is connected	10
Figure 5.	L99PM62GXP block diagram	13
Figure 6.	STM8AF board hardware block diagram	14
Figure 7.	STM8AF board top layout	15
Figure 8.	STM8AF board bottom layout	16
Figure 9.	STM8AF5288T package	17
Figure 10.	STM8AF5288T block diagram	18
Figure 11.	STM8AL board hardware block diagram	23
Figure 12.	STM8AL board top layout	24
Figure 13.	STM8AL board bottom layout	25
Figure 14.	STM8AL3L68T package	26
Figure 15.	STM8AL3L68T MCU block diagram	27
Figure 16.	STM8AL board I _{DD} measurement circuit	29
Figure 17.	STM8AL board I _{DD} Low power mode measurement timing diagram	30
Figure 18.	LCD segment mapping	31
Figure 19.	STM8AF board mechanical drawing	35
Figure 20.	STM8AL board mechanical drawing	36
Figure 21.	STM8AF board top level	37
Figure 22.	STM8AF board ST-LINK/V2 (SWIM only)	38
Figure 23.	STM8AF board MCU	39
Figure 24.	STM8AF board CAN/LIN and 12V	40
Figure 25.	STM8AL board top level	41
Figure 26.	STM8AL board ST-LINK/V2 (SWIM only)	42
Figure 27.	STM8AL board MCU	43
Figure 28.	STM8AL board LCD	44
Figure 29.	STM8AL board IDD_measurement	45
Figure 30.	STM8AL board LIN and 12V	46

1 Conventions

[Table 1](#) provides the definitions of some conventions used in the present document.

Table 1. ON/OFF conventions

Convention	Definition
Jumper JPx ON	Jumper fitted
Jumper JPx OFF	Jumper not fitted
Jumper JPx 1-2	Jumper is fitted between pins 1 and 2
Jumper JPx 2-3	Jumper is fitted between pins 2 and 3
Solder bridge SBx ON	SBx connections closed by solder
Solder bridge SBx OFF	SBx connections left open

2 Quick start

The STM8A-DISCOVERY is a low-cost and easy-to-use development kit to quickly evaluate and start a development with STM8AF and STM8AL microcontrollers family devices. STM8AF devices offer high performance and full automotive network connectivity with high speed CAN and LIN master/slave modes communications. STM8AL devices offer high performance with ultra-low power management. Both comply with automotive qualification and conform to AEC-Q100 rev G.

For more information on the STM8A-DISCOVERY and for demonstration software, visit www.st.com/stm8a-discovery.

2.1 Getting started

1. Connect CN3 and CN4 on the STM8AF board to CN3 and CN4 on the STM8AL board.
2. Connect both type A connectors of the USB cable to a PC.
3. Then connect the mini-B connector of the USB cable to the STM8AF board.
4. All LEDs blink once on the STM8AF board and twice on the STM8AL board, then the LIN communication between both boards starts.
5. Turn the RV1 trimmer on the STM8AF board to adjust the value from 0 to 100 on the STM8AL board LCD through the LIN bus.
6. Push button USER1 on the STM8AF board to sequentially display the LCD bars on the STM8AL board through the LIN bus. Push button USER2 on the STM8AF board to sequentially switch them off one by one.
7. Push button USER1 on the STM8AL board to sequentially switch on green LEDs LD4, LD5, LD6 and LD7 on the STM8AF board through the LIN bus. Push button USER2 on the STM8AL board to sequentially switch them off one by one.
8. To perform or modify the Discover project related to this demo, visit www.st.com/stm8a-discovery.
9. You can discover the STM8AF and STM8AL features, download and execute programs proposed in the list of projects.
10. You can then develop your own application using the available examples.

2.2 System requirements

- Windows PC (XP, Vista, 7)
- USB cable (dual type A to mini-B) - included

2.3 Development toolchains supporting the STM8A-DISCOVERY

- IAR: EWSTM8
- STMicroelectronics: STVD

3 Features

The STM8A-DISCOVERY offers different features combined with STM8AF and STM8AL boards:

STM8AF and STM8AL common board features:

- On-board ST-LINK/V2 included for debugging and programming
- Board power supply: through 5 V USB bus
- Internal dual ST662A step-up converter building the 12 Vdc when powered by USB port
- External application power supply V_{BAT} (up to 14 Vdc)
- 16 MHz HSE XTAL crystal oscillator
- L99PM62GXP power management IC with LIN and high speed CAN with SPI control interface and high-side drivers
- Two push buttons (USER1 and USER2)
- Extension header for L99PM62GXP including relays, high-side outputs and wake-up capabilities

STM8AF dedicated board features:

- STM8AF5288T microcontroller featuring 64 Kbytes Flash, 2 Kbytes data EEPROM, LIN, CAN in an 48-pin package
- Seven LEDs:
 - LD1 (red/green) for USB communication
 - LD2 (red) for 5 V power ON
 - Five user LEDs LD3 (red) and LD4 to LD7 (green)
- RV1 potentiometer connected to the ADC peripheral
- Extension headers for MCU connectivity (full Port B, free ports pins, RESET)

STM8AL dedicated board features:

- STM8AL3L68T microcontroller featuring 32 Kbytes Flash, 1 Kbytes data EEPROM, LCD in an 48-pin package
- Four LEDs:
 - LD1 (red/green) for USB communication
 - LD2 (red) for 3.3 V power ON
 - 2 user LEDs LD3 (red) and LD4 (green)
- 4-digit alphanumeric LCD display including 4 bars display
- Extension header for MCU connectivity (free ports pins, RESET)

4 Hardware and layout

This section describes STM8A-DISCOVERY hardware and layout which can be broken down into common resources used both in STM8AF and STM8AL boards and the special features belonging to each of them.

4.1 STM8A-DISCOVERY common resources

4.1.1 Embedded ST-LINK/V2

The ST-LINK/V2 programming and debugging tool is integrated both in STM8AF and STM8AL boards. The embedded ST-LINK/V2 can be used to program/debug the MCU on the board and supports SWIM for STM8 devices.

The ST-LINK/V2 must be connected with the dual type A to mini-B USB cable provided in the blister.

Caution: First connect the dual type A on the PC side (both type A connectors must be plugged in) then connect the mini-B USB to the board (STM8AF or STM8AL boards).

For programming or debugging the STM8A-DISCOVERY, the PC can be either connected to the mini-B USB connector of the STM8AF or STM8AL board.

The connection on both mini-B usb of the STM8AF and STM8AL boards is not supported. This operation can damage the boards.

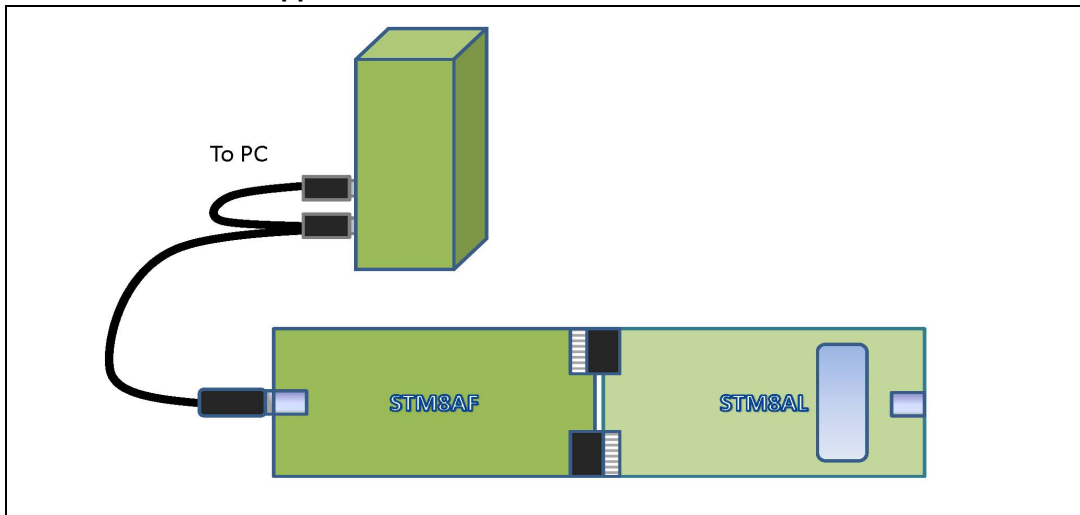
For information about debugging and programming features refer to user manual UM1075 (ST-LINK/V2 in-circuit debugger/programmer for STM8 and STM32) which describes in detail all the ST-LINK/V2 features.

4.1.2 Debugging STM8A-DISCOVERY

The STM8A-DISCOVERY is composed by a STM8AF board connected to a STM8AL board. A PC can be connected to the STM8AF or STM8AL board side while programming/debugging the STM8AF5288T or the STM8AL3L68T.

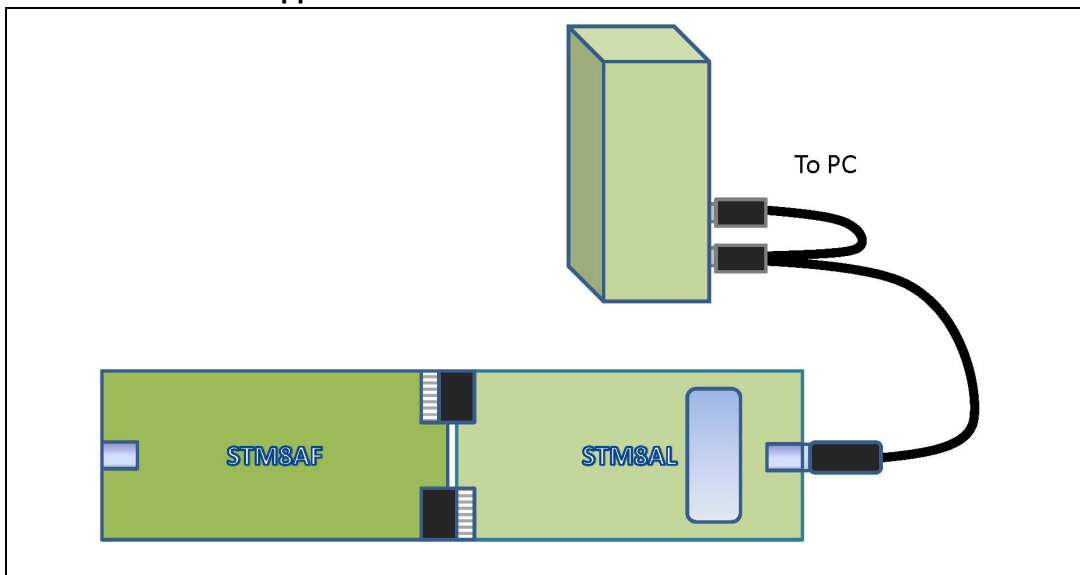
- Example 1: Debugging the STM8AF microcontroller when the STM8AL board or an external application board is connected.

Figure 3. Debugging the STM8AF microcontroller when the STM8AL board or an external application board is connected



- Example 2: Debugging the STM8AL microcontroller when the STM8AF board or an external application board is connected.

Figure 4. Debugging the STM8AL microcontroller when the STM8AF board or an external application board is connected



Note: All other configuration are not supported and could damage the boards or the PC.

4.1.3 Power supply

The power supply is provided by the host PC through the dual type A to mini-B USB cable or by an external V_{BAT} power supply (12 Vdc typical, 14 Vdc max).

One dual type A to mini-B USB is needed to provide the current required by the STM8AF and STM8AL boards when they are connected together.

Reminder: First connect the dual type A on the PC side (both type A connectors must be plugged in) then connect the mini-B USB to one of the STM8Ax boards.

When the STM8AF board is connected to the STM8AL board, different schemes are possible:

- The USB cable is used to simply provide the power supply to the STM8A-DISCOVERY. In that case, it can be connected either to the STM8AF or STM8AL board side.
- While programming/debugging the STM8AF or STM8AL board with your PC, the USB cable must be placed on the appropriate side of the board depending on which board is being debugged (see [Figure 3](#) and [Figure 4](#)).
- If no programming/debugging operations are needed (no PC connected) or if a larger amount of current is required (higher than 200 mA @5 V), then the power supply must be wired between the V_{BAT} and GND pins of the STM8AF or STM8AL board. V_{BAT} is indeed internally distributed through the two boards. Therefore, V_{BAT} can be wired indifferently on the STM8AF or STM8AL board (not on both).

On the other hand, if the STM8AF or STM8AL board is used in standalone (not connected together), they can be supplied either by the USB cable or by the external V_{BAT} . As for instance, this configuration can be used when the boards are inserted in an automotive network.

The STM8AF and STM8AL boards include an internal 5 V to 12 V step-up converter that is needed to build the voltages required for LIN or CAN networks. The 5 V USB is then converted into 12 V voltage that supplies the integrated L99PM62GXP power management IC. This device includes a 5 V regulator which is connected directly to the STM8AF5288T microcontroller or transformed subsequently into 3.3 V to supply the STM8AL3L68T microcontroller.

The power supplies of STM8AF5288T and STM8AL3L68T are provided by the L99PM62GXP power management IC on condition that the microcontrollers sequentially refresh the watchdog included in the L99PM62GXP devices. This functionality exists when the L99PM62GXP is in Active mode (standard operation). In that case, if the L99PM62GXP device is not refreshed periodically, the 5 V power supply is provisionally shutdown until a next start-up sequence is performed. This behavior can generate some issues when the SWIM communication tries to establish a connection with the microcontroller and when the latter is not power supplied. To remedy to this situation and to avoid caring about L99PM62GXP watchdog refresh, the L99PM62GXP can be placed in Flash mode by configuring some dedicated jumpers (see [Section 4.2.5](#)). This prevents to cut the power supply to the microcontroller as for instance for software debugging. This behavior is only present on the STM8AF board as the STM8AL board is always put in Flash mode by design.

4.1.4 L99PM62GXP power management IC with LIN and high speed CAN

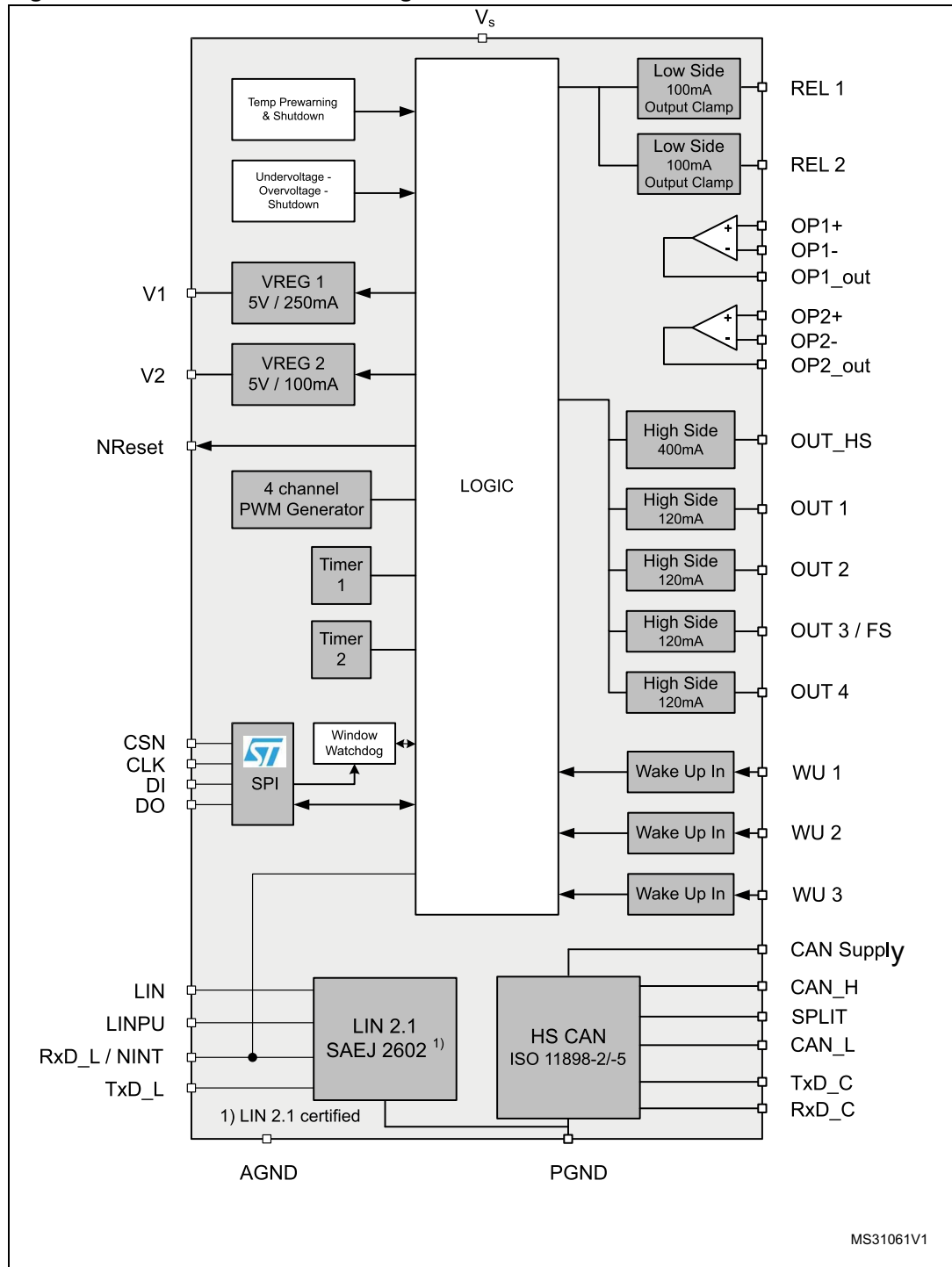
The L99PM62GXP is a power management system IC that provides electronic control units with enhanced system power supply functionality, including various standby modes, as well as LIN and HS CAN physical communication layers. The device's two low-drop voltage regulators supply the system microcontroller and external peripheral loads such as sensors

and provide enhanced system standby functionality with programmable local and remote wake-up capability.

The microcontrollers of the STM8AF and STM8AL boards communicate with the L99PM62GXP IC through the SPI interface, that allows control and diagnosis of the device. A lot of features are offered to control low and high-side drivers using the embedded and configurable PWM timers, window watchdog, wake-up capability. Some of their outputs are available at external headers of the STM8AF and STM8AL boards. This device is a power SS0-36-pin package.

Figure 5 illustrates the L99PM62GXP block diagram. For further information on the L99PM62GXP device and to explore its numerous capabilities, please refer to datasheet available at www.st.com.

Figure 5. L99PM62GXP block diagram



4.2 STM8AF board dedicated resources

The STM8AF board is designed around the STM8AF5288T microcontroller in a 48-pin LQFP package.

Figure 6 illustrates the connections between the STM8AF5288T and the different peripherals (ST-LINK/V2, L99PM62GXP IC, push buttons, LED and connectors).

Figure 6 and Figure 7 help you locate these features on the STM8AF board.

Figure 6. STM8AF board hardware block diagram

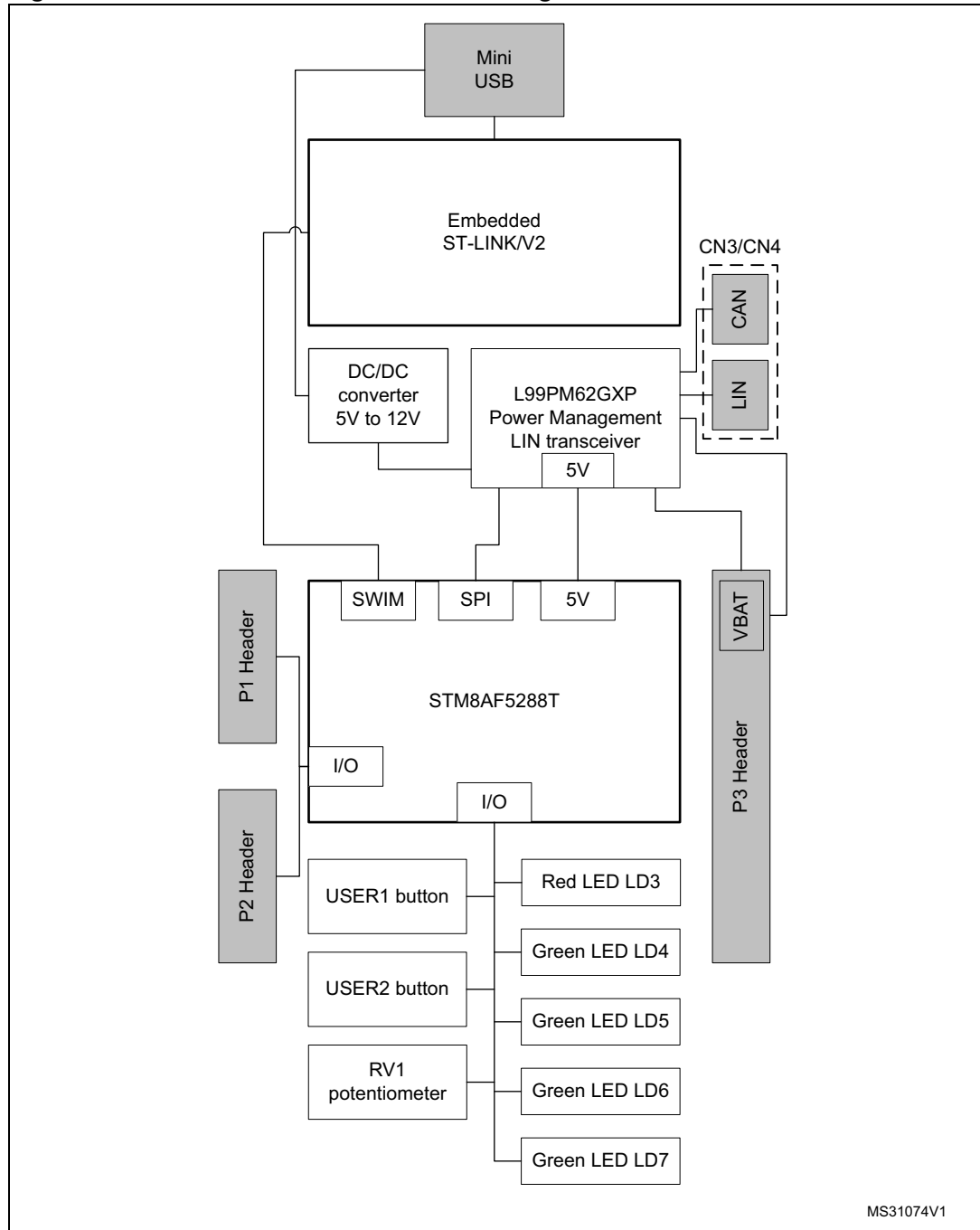


Figure 7. STM8AF board top layout

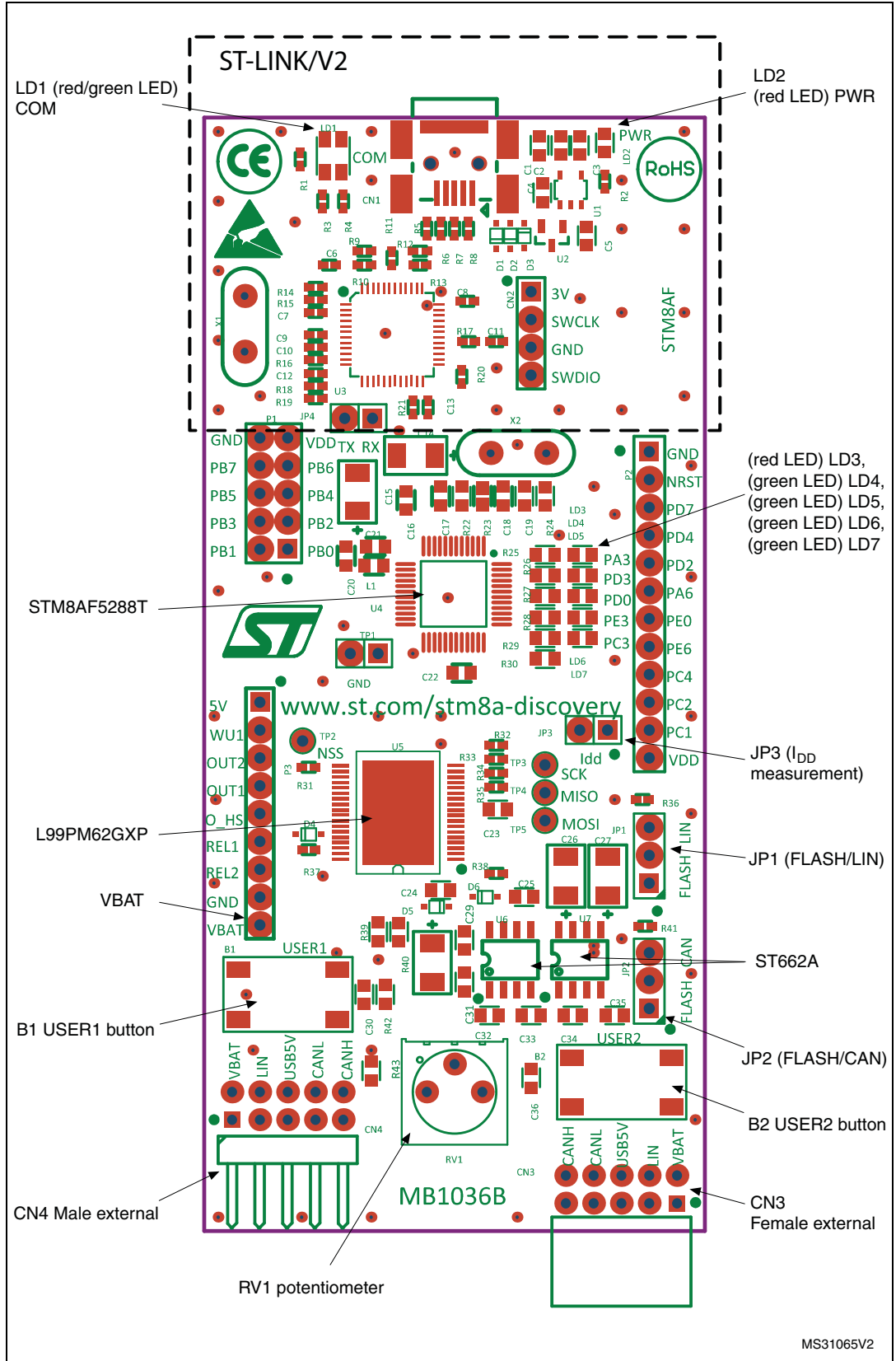
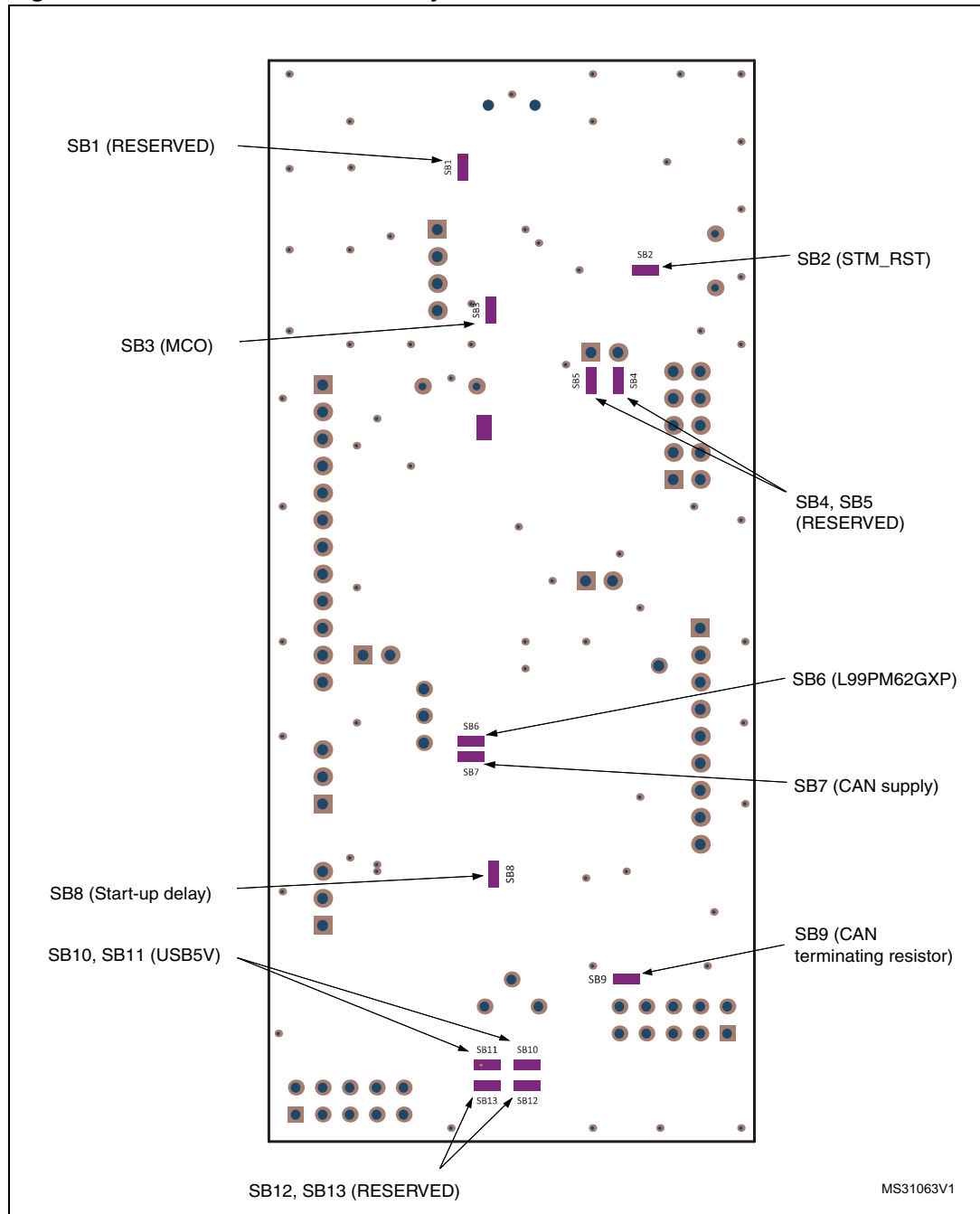


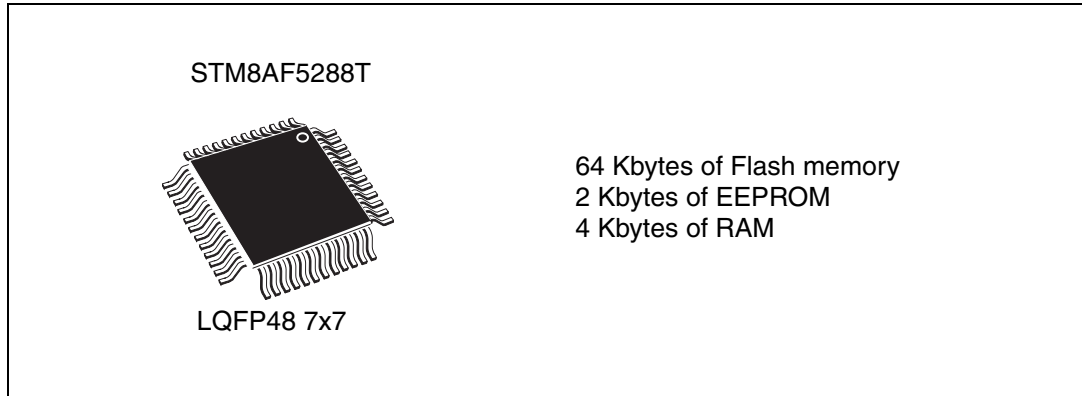
Figure 8. STM8AF board bottom layout



4.2.1 STM8AF5288T microcontroller

This automotive 8-bit MCU has 64 Kbytes Flash, 2 Kbytes data EEPROM, 10-bit ADC, timers, LIN, CAN, USART, SPI, I2C and operates from 3 to 5.5 V.

Figure 9. STM8AF5288T package



The STM8AF5288T automotive 8-bit microcontroller offers 64 Kbytes of non-volatile memory and integrated true data EEPROM.

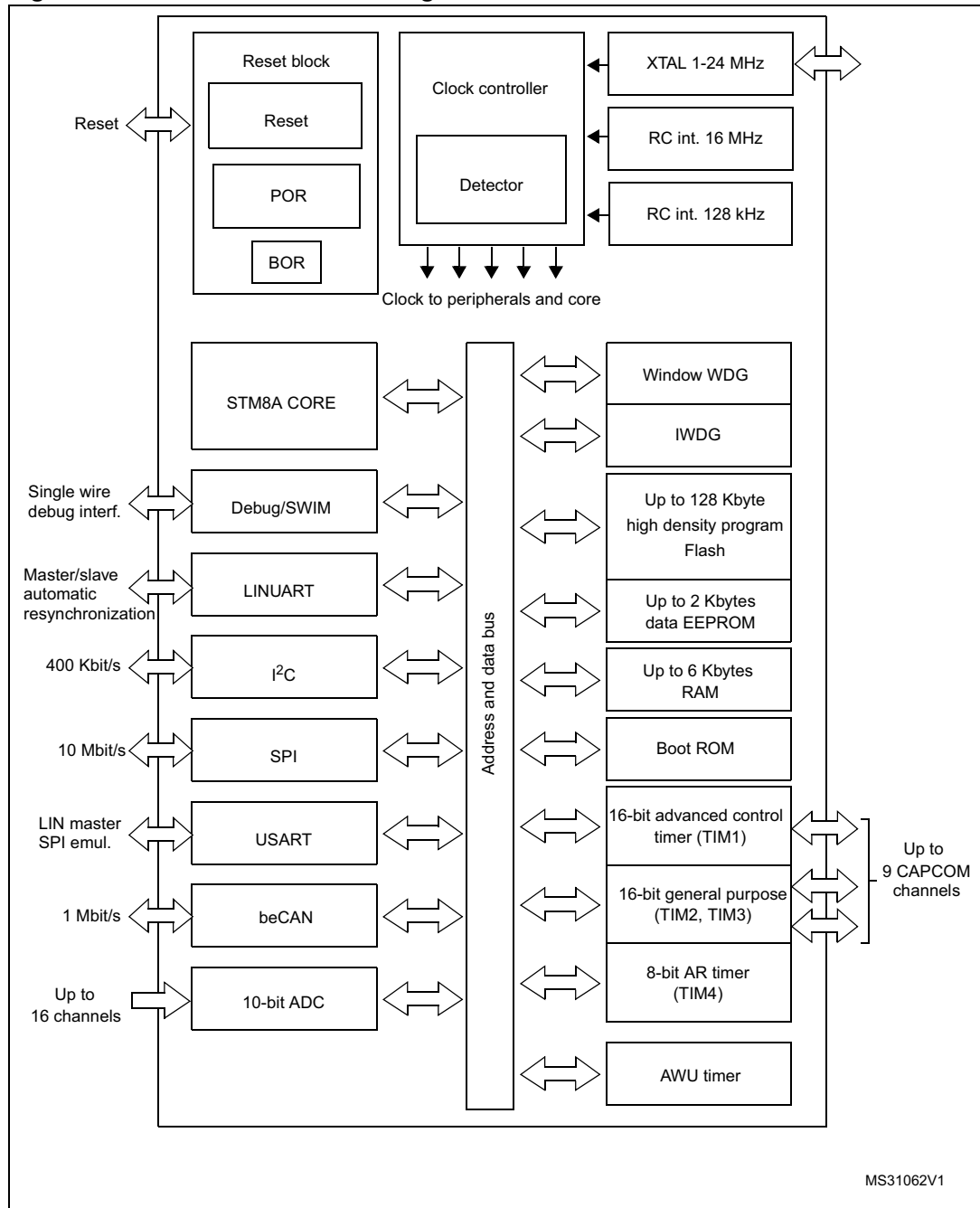
The STM8AF52xx series feature a CAN interface.

All devices of the STM8A product line provide the following benefits: reduced system cost, performance and robustness, short development cycles, and product longevity.

- Reduced system cost
 - Integrated true data EEPROM for up to 300 k write/erase cycles
 - High system integration level with internal clock oscillators, watchdog and brownout reset
- Performance and robustness
 - Peak performance 20 MIPS at 24 MHz and average performance 10 MIPS at 16 MHz CPU clock frequency
 - Robust I/O, independent watchdogs with separate clock source
 - Clock security system
- Short development cycles
 - Applications scalability across a common family product architecture with compatible pinout, memory map and modular peripherals.
 - Full documentation and a wide choice of development tools
- Product longevity
 - Advanced core and peripherals made in a state-of-the art technology
 - Native automotive product family operating both at 3.3 V and 5 V supply

The STM8AF and STM8AL boards are supported by the same tools including STVD/STVP development environment.

Figure 10. STM8AF5288T block diagram



4.2.2 STM8AF board LEDs

The STM8AF board includes the following LEDs:

- LD1 COM: LD1 default status is red. LD1 turns to green to indicate that communications are in progress between the PC and the ST-LINK/V2.
- LD2 PWR: red LED indicates that the board is powered and that 5 V is output from L99PM62GXP power management IC.
- User LD3: red LED is a user LED connected to the I/O PA3 of the STM8AF5288T.
- User LD4: green LED is a user LED connected to the I/O PD3 of the STM8AF5288T.
- User LD5: green LED is a user LED connected to the I/O PD0 of the STM8AF5288T.
- User LD6: green LED is a user LED connected to the I/O PE3 of the STM8AF5288T.
- User LD7: green LED is a user LED connected to the I/O PC3 of the STM8AF5288T.

4.2.3 STM8AF board Push buttons

STM8AF board includes two push buttons:

- USER1: User button connected to the I/O PE2 of STM8AF5288T.
- USER2: User button connected to the I/O PE1 of STM8AF5288T.

4.2.4 STM8AF board solder bridges

Table 2. STM8AF board solder bridges

Bridge	State ⁽¹⁾	Description
SB1 (Reserved)	ON	Reserved, do not modify.
SB2 (STM_RST)	OFF	NRST signal of STM32F103C8T6 (ST-LINK/V2) is not connected to GND.
	ON	NRST signal of STM32F103C8T6 (ST-LINK/V2) is connected to GND.
SB3 (MCO)	OFF	MCO clock from STM32F103C8T6 is not connected to PA1 (OSC_IN) of STM8AF5288T.
	ON	MCO clock from STM32F103C8T6 is connected to PA1 (OSC_IN) of STM8AF5288T.
SB4,5 (Reserved)	OFF	Reserved, do not modify.
SB6 (L99PM62GXP Reset)	OFF	NRESET of L99PM62GXP is not connected to the STM8AF5288T Reset pin (external watchdog disable).
	ON	NRESET of L99PM62GXP is connected to the STM8AF5288T Reset pin (external watchdog enable).
SB7 (CAN supply)	ON	CAN transceiver is powered ON.
	OFF	CAN transceiver is OFF. This selection saves power consumption.
SB8 (Start-up delay)	OFF	If the STM8AF board is connected to another STM8AF board, then one of them must have SB8 OFF.
	ON	The STM8AF board is connected to the STM8AL board (standard demo package).
SB9 (CAN terminating resistor)	ON	The CAN terminating 120 Ohms resistor is connected on the CAN bus.
	OFF	The CAN terminating 120 Ohms resistor is not connected on the CAN bus.
SB10,11 (USB5V)	ON	USB5V is available on CN3/CN4 connectors for powering an external board through CN3/CN4.
	OFF	USB5V is not available on CN3/CN4 connectors.
SB12,13 (Reserved)	ON	Reserved, do not modify.

1. Default SBx state is shown in bold.

4.2.5 STM8AF board jumpers selection

Table 3. STM8AF board jumper selection

Jumper	State ⁽¹⁾	Description
JP1 (LIN/FLASH)	1-2	Flash mode selected ⁽²⁾ .
	2-3	LIN communication enabled.
JP2 (CAN/FLASH)	1-2	Flash mode selected ⁽²⁾ .
	2-3	CAN communication enabled.
JP3 (I _{DD})	ON	Standard operation, 5 V connected to the V _{DD} of the microcontroller.
	OFF	An ammeter can be connected between JP3 pins to measure the current sunk by the MCU.
JP4 (Reserved)	OFF	Reserved, do not modify.

1. Default jumper state is shown in bold.

2. The Flash mode is activated if at least JP1 or JP2 selects Flash mode.

4.2.6 STM8AF board extension connection

Male headers P1, P2 and P3 connectors can connect the STM8AF board to a standard prototyping/wrapping board. Free GPI/Os of the STM8AF5288T are available on P1 and P2. L99PM62GXP device I/Os are connected to P3. P1, P2 and P3 can also be probed by an oscilloscope, a logic analyzer or a voltmeter.

P1 connector contains the full port B GPI/Os and the alternate functions are the first 8 ADC channel inputs. Its standard HE10 format complies with some additional modules or resources that are pin-to-pin equivalent.

Table 4. STM8AF board P1 pinout microcontroller connectivity

Pin number P1	Pin number STM8AF MCU	Board pin name	Type	Main function	Alternate function
1	22	PB0	I/O	Port B0	Analog input AIN0
2	21	PB1	I/O	Port B1	Analog input AIN1
3	20	PB2	I/O	Port B2	Analog input AIN2
4	19	PB3	I/O	Port B3	Analog input AIN3
5	18	PB4	I/O	Port B4	Analog input AIN4
6	17	PB5	I/O	Port B5	Analog input AIN5
7	16	PB6	I/O	Port B6	Analog input AIN6
8	15	PB7	I/O	Port B7	Analog input AIN7
9		V _{DD}		Microcontroller Digital power supply	
10		GND		Digital ground	

Table 5. STM8AF board P2 pinout microcontroller connectivity

Pin number P2	Pin number STM8AF MCU	Board pin name	Type	Main function	Alternate function
1		GND		Digital ground	
2	1	NRST	I/O	Reset	
3	48	PD7	I/O	Port D7	TLI
4	45	PD4	I/O	Port D4	Timer 2 - channel 1
5	43	PD2	I/O	Port D2	Timer 3 - channel 1
6	12	PA6	I/O	Port A6	USART synchronous clock
7	40	PE0	I/O	Port E0	CCO Configurable clock output
8	24	PE6	I/O	Port E6	Analog input AIN9
9	29	PC4	I/O	Port C4	Timer 1 - channel 4
10	27	PC2	I/O	Port C2	Timer 1 - channel 2
11	26	PC1	I/O	Port C1	Timer 1 - channel 1
12		V _{DD}		Microcontroller Digital power supply	

Table 6. STM8AF board P3 pinout L99PM62GXP connectivity⁽¹⁾

Pin number P3	Pin number STM8AF MCU	Board pin name	Type	Main function
1		5V		5 V board power supply (output 5V1 from L99PM62GXP)
2	20	WU1	I	Wake-up input 1
3	28	OUT2	O	High-side driver output (7 Ω, typ.)
4	29	OUT1	O	High-side driver output (7 Ω, typ.)
5	30	O_HS	O	High-side driver (1 Ω, typ.)
6	34	REL1	O	Low-side driver output (2 Ω typ.)
7	35	REL2	O	Low-side driver output (2 Ω typ.)
8		GND		Digital ground
9		V _{BAT}	I	External power supply (12 Vdc typ.)

1. For additional information on L99PM62GXP device connectivity, please refer to product datasheet available at www.st.com.

4.3 STM8AL board dedicated resources

The STM8AL board is designed around the STM8AL3L68T microcontroller in a 48-pin LQFP package.

Figure 11 illustrates the connections between the STM8AL3L68T and the different peripherals (ST-LINK/V2, L99PM62GXP IC, push buttons, LED, I_{DD} measurement circuitry, LCD and connectors).

Figure 11 and Figure 12 help you to locate these features on the STM8AL board.

Figure 11. STM8AL board hardware block diagram

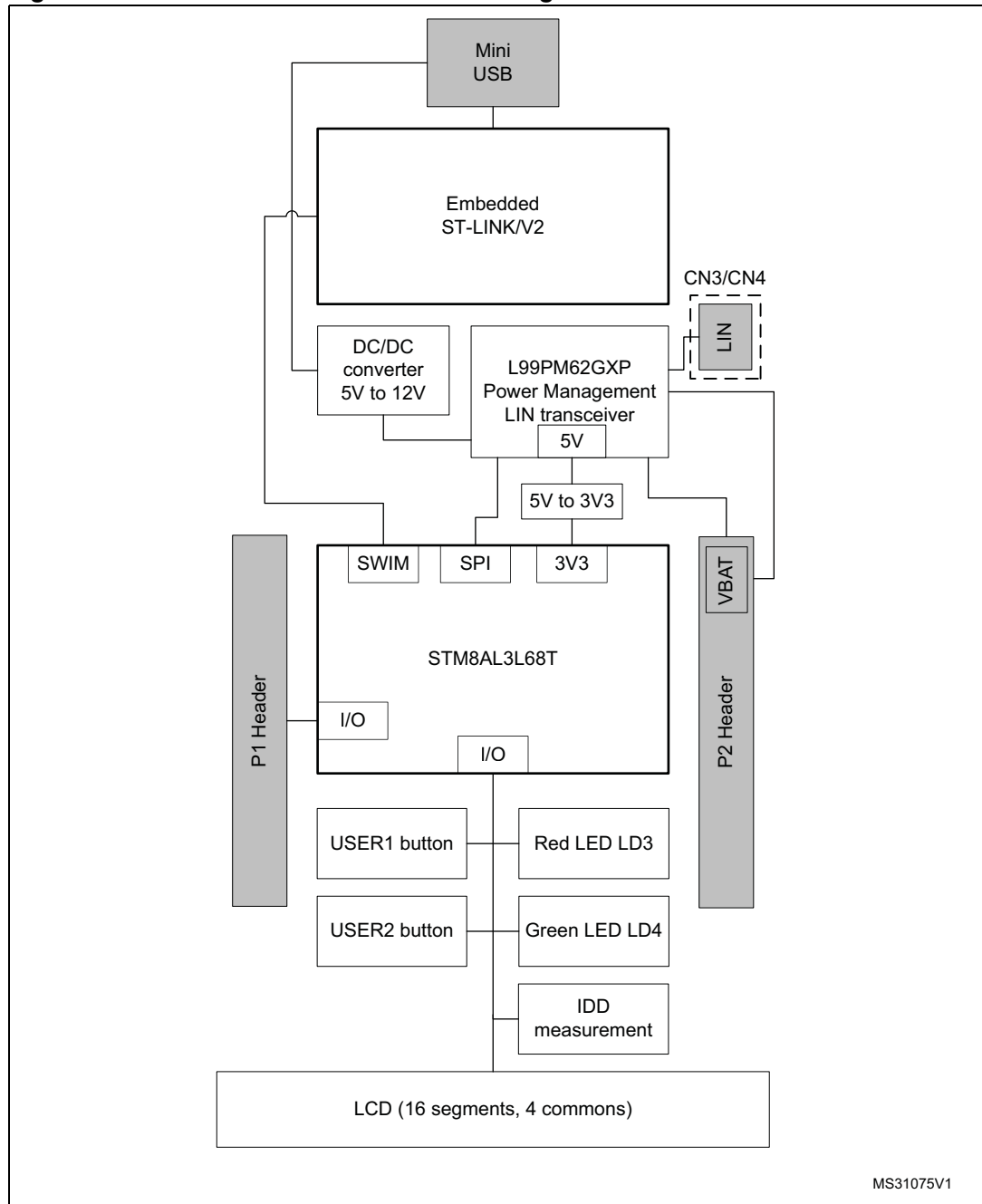
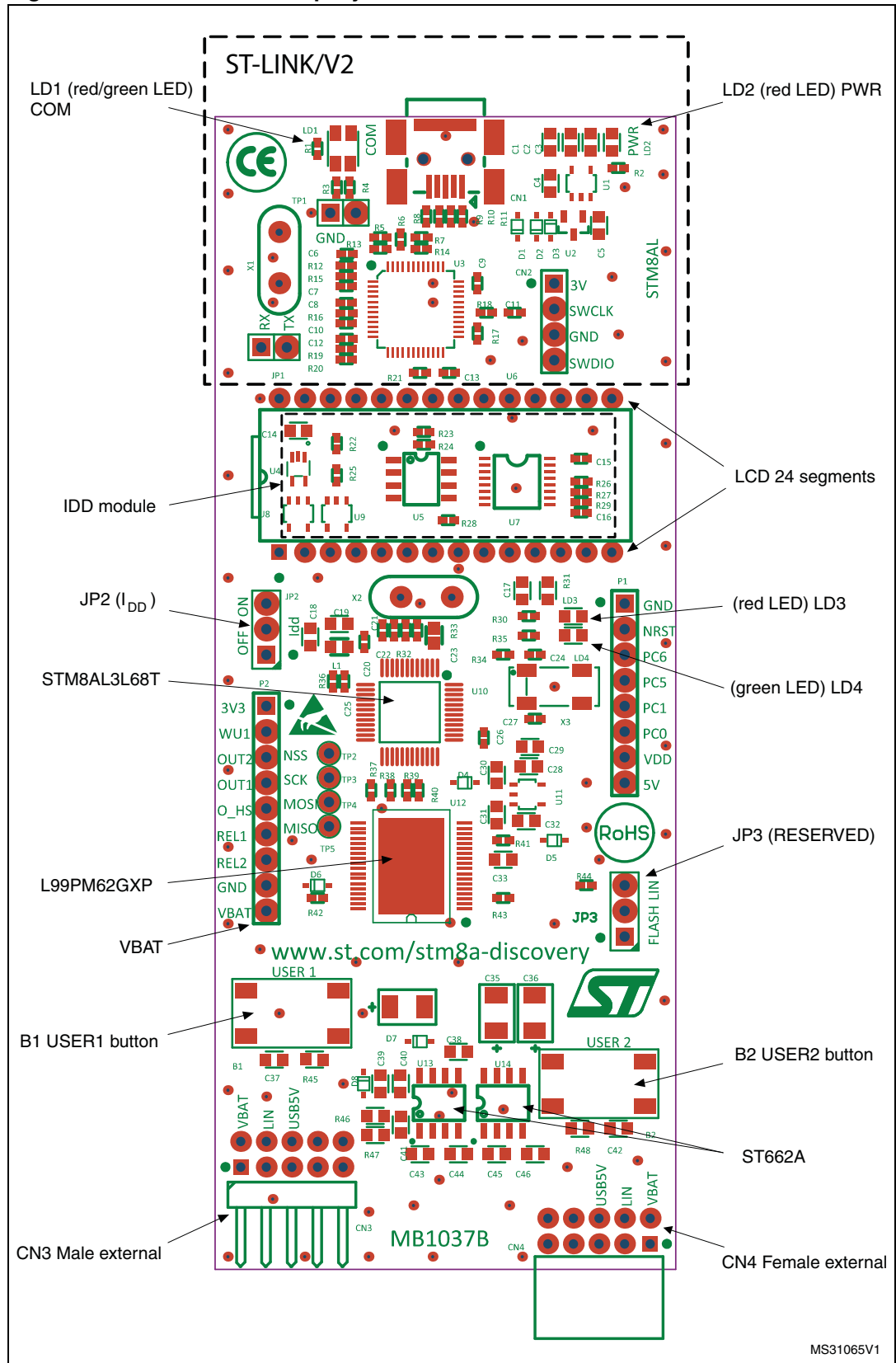


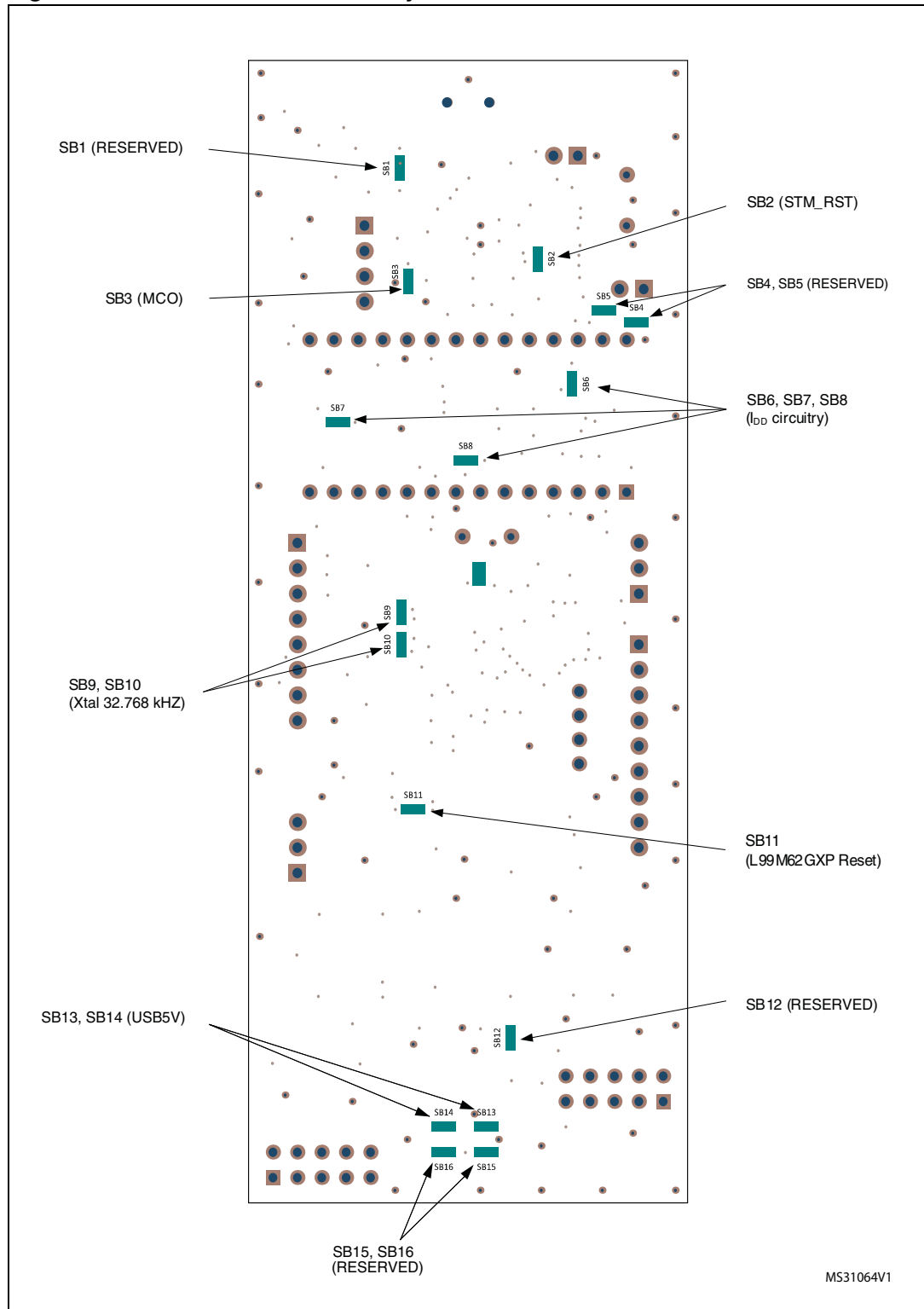
Figure 12. STM8AL board top layout



MS31065V1



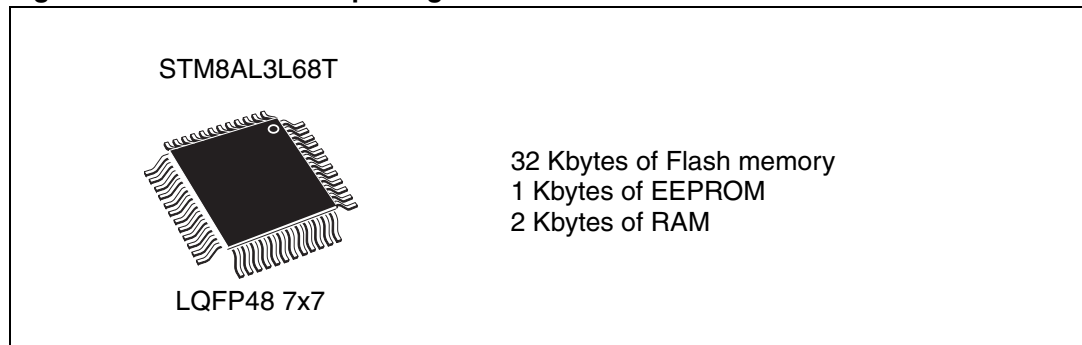
Figure 13. STM8AL board bottom layout



4.3.1 STM8AL3L68T microcontroller

This automotive 8-bit ultralow power MCU has 32 Kbytes Flash, 1 Kbytes data EEPROM, RTC, LCD, timers, USART, I2C, SPI, ADC, DAC and comparators.

Figure 14. STM8AL3L68T package

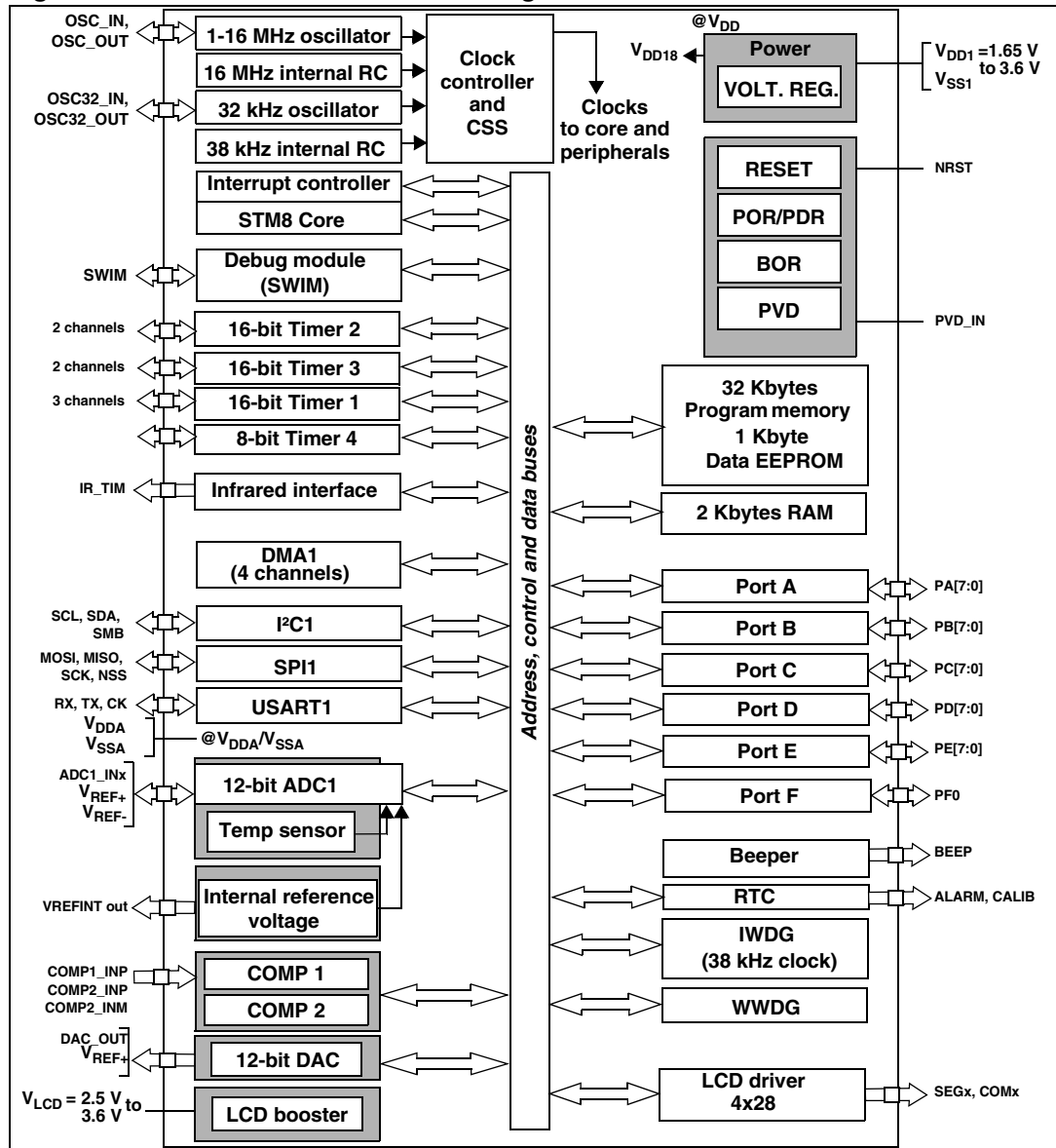


This microcontroller belongs to the STM8AL family and provides the following benefits:

- Integrated system
 - Up to 32 Kbytes of medium-density embedded Flash program memory
 - 1 Kbyte of data EEPROM
 - Internal high speed and low-power low speed RC.
 - Embedded reset
- Ultralow power consumption
 - 195 $\mu\text{A}/\text{MHZ}$ + 440 μA (consumption)
 - 0.9 μA with LSI in Active-halt mode
 - Clock gated system and optimized power management
 - Capability to execute from RAM for Low power wait mode and Low power run mode
- Advanced features
 - Up to 16 MIPS at 16 MHz CPU clock frequency
 - Direct memory access (DMA) for memory-to-memory or peripheral-to-memory access.
- Short development cycles
 - Application scalability across a common family product architecture with compatible pinout, memory map and modular peripherals.
 - Wide choice of development tools

This device offers 12-bit ADC, DAC, two comparators, real-time clock, three 16-bit timers, one 8-bit timer as well as standard communication interfaces such as SPI, I2C and USART. A 4x28-segment LCD is available on the medium-density STM8AL3L68T device.

Figure 15. STM8AL3L68T MCU block diagram



- Legend:
 - ADC: Analog-to-Digital Converter
 - BOR: Brownout Reset
 - DMA: Direct Memory Access
 - DAC: Digital-to-Analog Converter
 - I²C: Inter-Integrated Circuit multimaster interface
 - IWDG: Independent WatchDog
 - LCD: Liquid Crystal Display
 - POR/PDR: Power On Reset / Power Down Reset
 - RTC: Real-Time Clock
 - SPI: Serial Peripheral Interface
 - SWIM: Single Wire Interface Module
 - USART: Universal Synchronous Asynchronous Receiver Transmitter
 - WWDG: Window WatchDog

4.3.2 STM8AL board LEDs

The STM8AL board includes the following LEDs and their description is:

LD1 COM: LD1 default status is red. LD1 turns to green to indicate that communications are in progress between the PC and the ST-LINK/V2.

LD2 PWR: red LED indicates that the board is powered and that 3.3 V is generated by the regulator supplied by the L99PM62GXP power management IC.

User LD3: red LED is a user LED connected to the I/O PE7 of the STM8AL3L68T.

User LD4: green LED is a user LED connected to the I/O PC7 of the STM8AL3L68T.

4.3.3 STM8AL board Push buttons

The STM8AL board includes two push buttons:

- USER1: User button connected to the I/O PE1 of STM8AL3L68T.
- USER2: User button connected to the I/O PE2 of STM8AL3L68T.

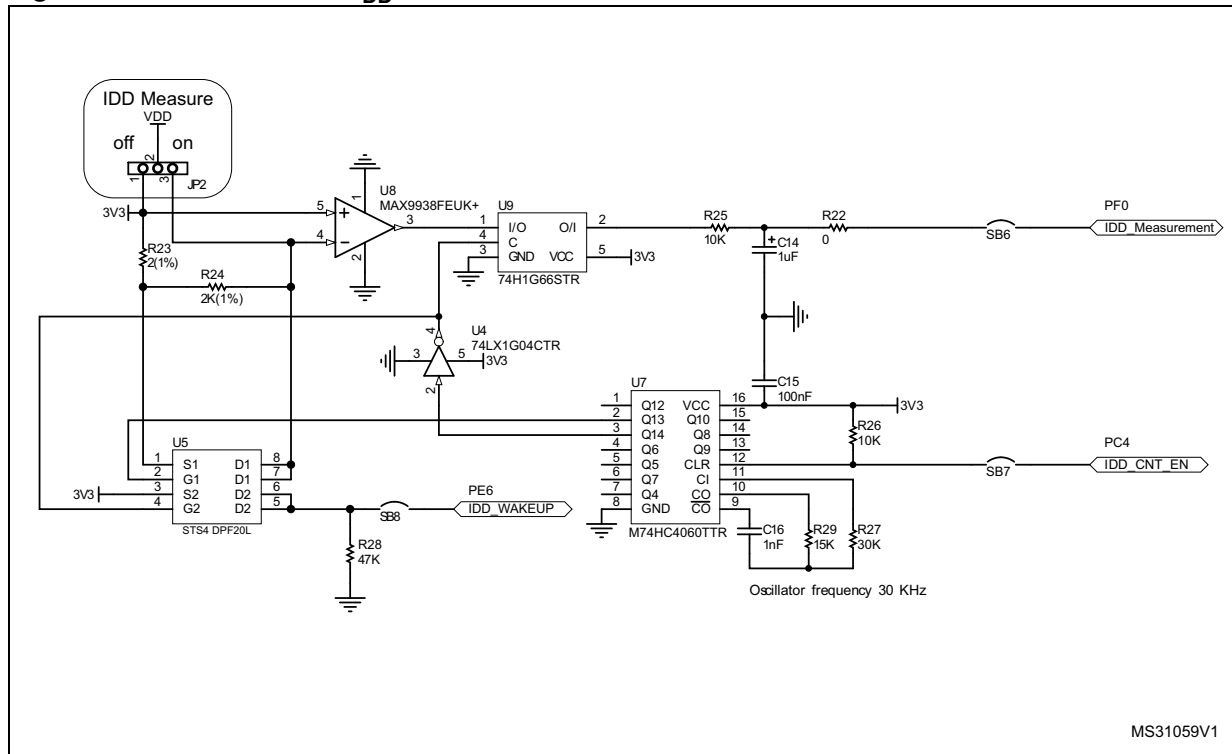
4.3.4 STM8AL board built-in I_{DD} measurement circuit

The STM8AL board built-in I_{DD} measurement circuit allows the consumption of the STM8AL3L68T to be measured and displayed on the LCD Glass while the MCU is in Run or Low power saving modes.

- JP2 in ON position: STM8AL3L68T is powered through I_{DD} measurement circuit (default).
- JP2 in OFF position: STM8AL3L68T is powered directly by +3V3, I_{DD} measurement circuit is bypassed.

Note: When jumper JP2 is removed the current consumption of the STM8AL3L68T can be measured by connecting an ammeter between jumper JP2 pin 1 and pin 2.

For I_{DD} measurement by the MCU itself, the circuit below is implemented on the STM8AL board. Solder bridges SB6, SB7 and SB8 must be closed and a jumper must be plugged between JP2 pin 2 and pin 3.

Figure 16. STM8AL board I_{DD} measurement circuit

- Run mode

In Run mode, I_{DD} current is measured using the operational amplifier MAX9938FEUK+ (U8) connected to the 2 Ω shunt resistor (R23). In this case IDD_CNT_EN remains high during measurement, so R24 remains in short-circuit during the measurement because of switch U5 which remains ON permanently. The jumper JP2 must be connected between pins 2 and 3 of JP2. The measurement range in this case can be up to 30 mA.

- Low power mode

In Low power modes (Halt or Active halt), I_{DD} current is measured using the operational amplifier MAX9938FEUK+ (U8) connected to the 2 KΩ shunt resistor (R24), controlled by the switch STS4DPF20L (U5). In this case the counter 74HC4060 (U7) enabled by IDD_CNT_EN manages the measurement timing according to [Figure 17](#). The measurement range in this case can be up to 30 μA.

- Low power mode I_{DD} measurement principle

The principle used to measure a current when the STM8AL3L68T is in Low power mode is:

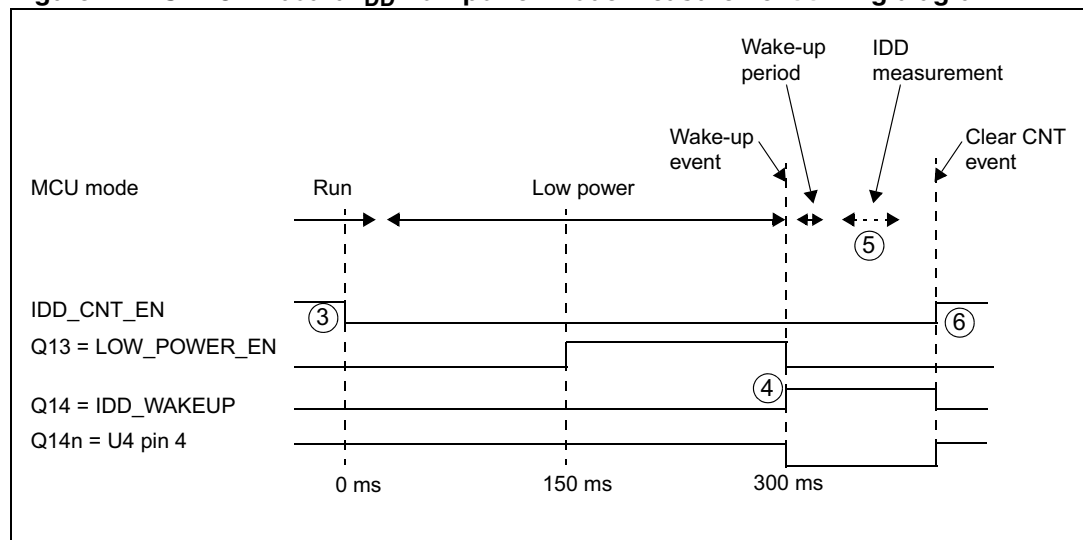
1. Configure ADC to measure voltage on the $IDD_Measurement$ pin.
2. Configure PE6 to serve as wakeup pin.
3. Enter Low power mode after setting IDD_CNT_EN (PC4) signal low.
4. IDD_WAKEUP rising edge wakes up the MCU after around 300 ms.
5. Start ADC conversion as soon as possible after wakeup in order to measure the voltage corresponding to Low power mode on capacitor C14.
6. Reset the counter by programming IDD_CNT_EN high (in less than 70 ms after the wakeup) to avoid the R24 2 KΩ resistor being connected later in Run mode.

The measurement timing is given in [Figure 17](#). In Low power modes, the 2 K Ω resistor is connected when the U5 switch goes off after entering Low power mode. The Q13 output of the counter allows connection of the 2 K Ω resistor when the current I_{DD} becomes very low.

[Figure 17](#) shows how the counter and U5 ensure that, 150 ms after `IDD_CNT_EN` falling edge, the shunt resistor R24 is connected between `VDD_MCU` and the power supply in order to reduce the measurement range to 30 μ A full scale (instead of 30 mA in Run mode).

Then after another 150 ms for current stabilization, R24 is shorted, the I_{DD} measurement is stored in C14, and the MCU is woken up. After wakeup, the MCU can measure the I_{DD} current corresponding to the Low power mode stored in C14.

Figure 17. STM8AL board I_{DD} Low power mode measurement timing diagram



- I_{bias} current measurement procedure

In Low power mode the bias current of operational amplifier input (U8 pin 4) is not negligible compared to I_{DD} current (typical I_{bias} is ~ 240 nA). To obtain a reliable STM8AL3L68T I_{DD} measurement, it is mandatory to subtract the bias current from the I_{DD} low power measurement since MCU is not sinking the current. I_{bias} is measured during production test and stored in the MCU EPROM. The demonstration software, Discover, uses this value to display the correct I_{DD} . The I_{bias} measurement procedure is part of the demonstration software and can be launched if required.

The procedure for I_{bias} measurement (implemented in the package demo) is:

1. Power off the board (disconnect the USB cable).
2. Set jumper JP2 to OFF position (pins 1 and 2).
3. Push down USER2 button while powering on the board from the USB.
4. Wait at least 1 second before releasing USER2, the LCD displays the I_{bias} measurement.
5. Power off the board (disconnect the USB cable).
6. Set jumper JP2 to ON position (pins 2 and 3). The I_{bias} value is now stored. The bias current is then subtracted from the I_{DD} measurement performed in Low power mode.

4.3.5 STM8AL board LCD (16 segments, 4 commons)

This LCD allows the STM8AL3L68T to display any information on four 14-segment digits and 4 BARs, using all COMs. (See the LCD segment mapping in [Figure 18](#) and pin connections in [Table 7](#)). The two first left digits of the LCD display are not used in this application.

Characteristics overview:

- 16 segments and 4 commons
- Drive method: multiplexed 1/4 duty, 1/3 bias
- Operating voltage: 3 V
- Operating temperature: 0 to 50°C
- Connector: 28-pin DIL 2.54 mm pitch

Note: When the LCD is plugged in, all I/O ports listed in [Table 7](#) are unavailable. To use one of these as I/O, you must remove the LCD

Figure 18. LCD segment mapping

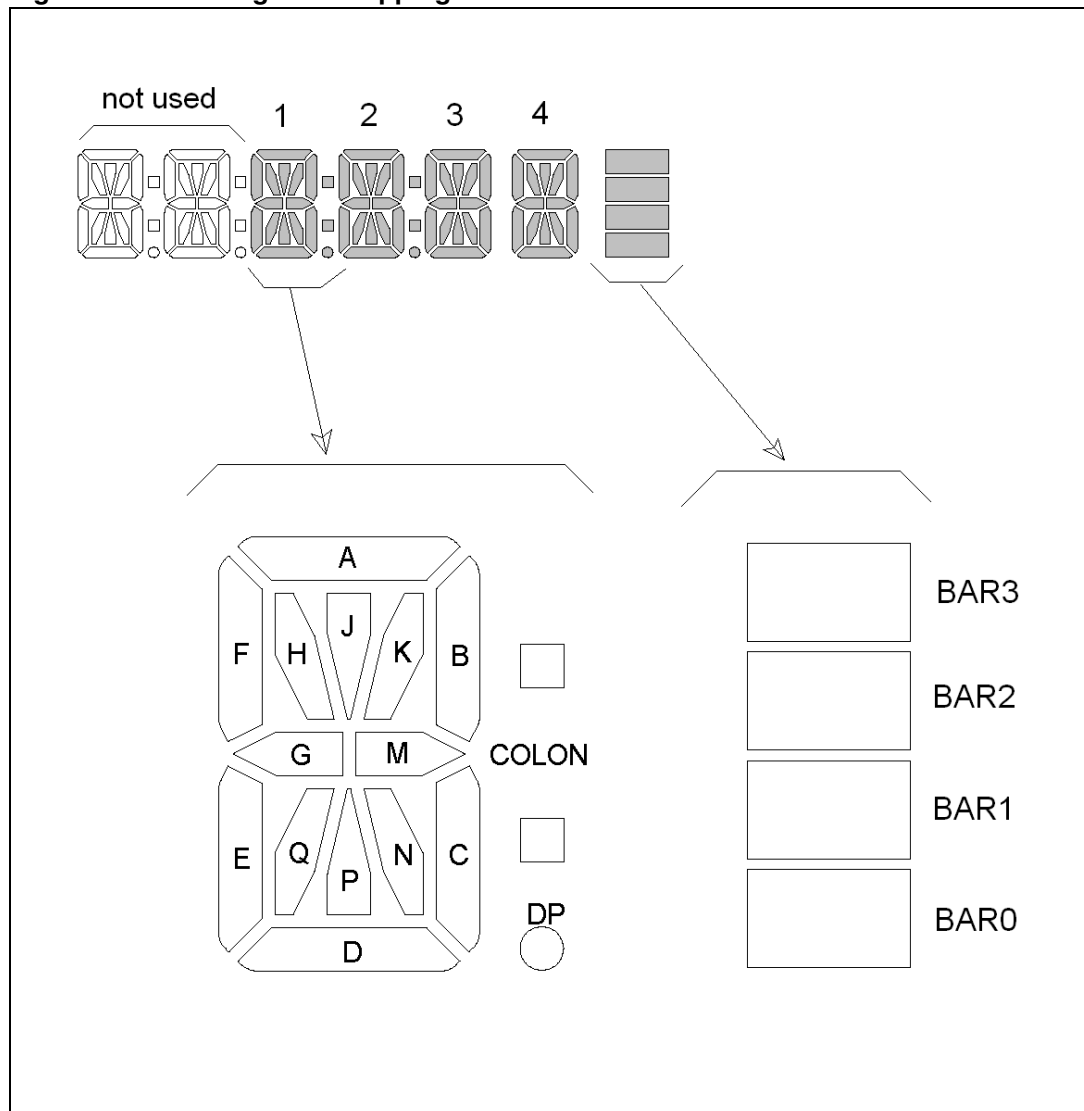


Table 7. LCD connections

STM8AL3L68T	LCD				
Pin Name	PIN	COM3	COM2	COM1	COM0
	1	1N	1P	1D	1E
	2	1DP	1COLON	1C	1M
	3	2N	2P	2D	2E
	4	2DP	2COLON	2C	2M
PE3_LCDSEG4	5	3N	3P	3D	3E
PE4_LCDSEG5	6	3DP	3COLON	3C	3M
PE5_LCDSEG6	7	4N	4P	4D	4E
PD0_LCDSEG7	8	4DP	4COLON	4C	4M
PD2_LCDSEG8	9	5N	5P	5D	5E
PD3_LCDSEG9	10	BAR2	BAR3	5C	5M
PB0_LCDSEG10	11	6N	6P	6D	6E
PB1_LCDSEG11	12	BAR0	BAR1	6C	6M
PD1_LCDCOM3	13	COM3			
PA6_LCDCOM2	14		COM2		
PA5_LCDCOM1	15			COM1	
PA4_LCDCOM0	16				COM0
PB2_LCDSEG12	17	6J	6K	6A	6B
PB3_LCDSEG13	18	6H	6Q	6F	6G
PA7_LCDSEG0	19	5J	5K	5A	5B
PE0_LCDSEG1	20	5H	5Q	5F	5G
PD6_LCDSEG20	21	4J	4K	4A	4B
PD7_LCDSEG21	22	4H	4Q	4F	4G
PD4_LCDSEG18	23	3J	3K	3A	3B
PD5_LCDSEG19	24	3H	3Q	3F	3G
	25	2J	2K	2A	2B
	26	2H	2Q	2F	2G
	27	1J	1K	1A	1B
	28	1H	1Q	1F	1G

4.3.6 STM8AL board solder bridges

Table 8. STM8AL board solder bridges

Bridge	State	Description
SB1 (Reserved)	ON	Reserved, do not modify.
SB2 (STM_RST)	OFF	NRST signal of STM32F103C8T6 (ST-LINK/V2) is not connected to GND.
	ON	NRST signal of STM32F103C8T6 (ST-LINK/V2) is connected to GND.
SB3 (MCO)	OFF	MCO clock from STM32F103C8T6 is not connected to PA2 (OSC_IN) of STM8AL3L68T.
	ON	MCO clock from STM32F103C8T6 is connected to PA2 (OSC_IN) of STM8AL3L68T.
SB4, 5 (Reserved)	OFF	Reserved, do not modify.
SB6, 7, 8 (I _{DD} circuitry)	ON	I _{DD} measurement circuitry and features connected.
	OFF	I _{DD} measurement circuitry and features are not connected (freeing PF0, PC4 and PE6).
SB9, 10 (Xtal 32.768 kHz)	OFF	PC5 and PC6 of STM8AL3L68T are free for general purpose I/Os.
	ON	PC5 and PC6 of STM8AL3L68T are connected to 32.768 kHz crystal oscillator (if fitted on board).
SB11 (L99PM62GXP Reset)	OFF	NRESET of L99PM62GXP is not connected to STM8AL3L68T Reset pin (external watchdog disable).
	ON	NRESET of L99PM62GXP is connected to STM8AL3L68T Reset pin (external watchdog enable).
SB12 (Reserved)	ON	Reserved, do not modify.
SB13, 14 (USB5V)	ON	USB5V is distributed on CN3/CN4 connectors (USB5V can drive an external board connected to CN3 and CN4).
	OFF	USB5V is not distributed on CN3/CN4 connectors.
SB15, 16 (Reserved)	ON	Reserved, do not modify.

1. Default SBx state is shown in bold.

4.3.7 STM8AL board jumpers selection

Table 9. STM8AL board jumpers selection

Jumper	State ⁽¹⁾	Description
JP1 (Reserved)	OFF	Reserved, do not modify.
JP2 (I _{DD})	1-2 OFF	I _{bias} measurement selection.
	2-3 ON	I _{DD} measurement selection.
JP3 (Reserved)	2-3	Reserved, do not modify.

1. Default jumper state is shown in bold.

4.3.8 STM8AL board extension connection

Male headers P1 and P2 connectors can connect the STM8AL board to a standard prototyping/wrapping board. Free GPI/Os of STM8AL3L68T are available on P1. L99PM62GXP device I/Os are connected to P2.

P1 and P2 can also be probed by an oscilloscope, a logic analyzer or a voltmeter.

Table 10. STM8AL board P1 pinout Microcontroller connectivity

Pin number P1	Pin number STM8AL MCU	Board pin name	Type	Main function	Alternate function
1		GND		Digital ground	
2	2	NRST	I/O	Reset	PA1
3	45	PC6	I/O	Port C6	OSC32_OUT
4	44	PC5	I/O	Port C5	OSC32_IN
5	38	PC1	I/O	Port C1	I2C1_SCL
6	37	PC0	I/O	Port C0	I2C1_SDA
7	10	V _{DD}		Microcontroller Digital power supply	
8		5V		5V board power supply (output 5V1 from L99PM62GXP)	

Table 11. STM8AL board P2 pinout L99PM62GXP connectivity⁽¹⁾

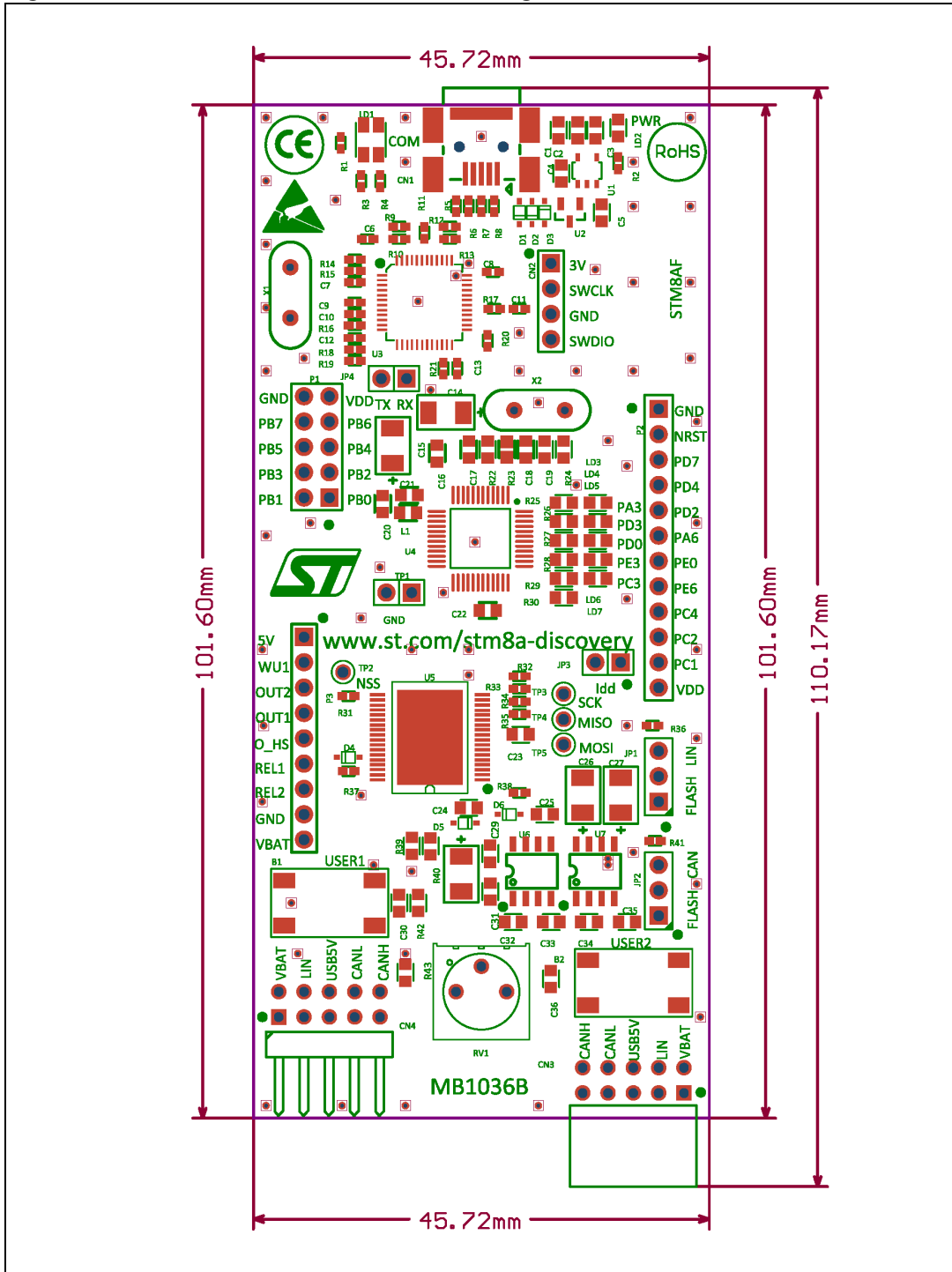
Pin number P2	Pin number L99PM62GXP	Board pin name	Type	Main function
1		3V3		3.3 V board power supply (output 3.3 V from U11 PWR_STM8)
2	20	WU1	I	Wake-up input 1
3	28	OUT2	O	High-side driver output (7 Ω, typ.)
4	29	OUT1	O	High-side driver output (7 Ω, typ.)
5	30	O_HS	O	High-side driver (1 Ω, typ.)
6	34	REL1	O	Low-side driver output (2 Ω typ.)
7	35	REL2	O	Low-side driver output (2 Ω typ.)
8		GND		Digital ground
9		VBAT	I	External power supply (12Vdc typ.)

1. For additional information on L99PM62GXP device connectivity, please refer to product datasheet available at www.st.com.

5 STM8A-DISCOVERY boards mechanical drawing

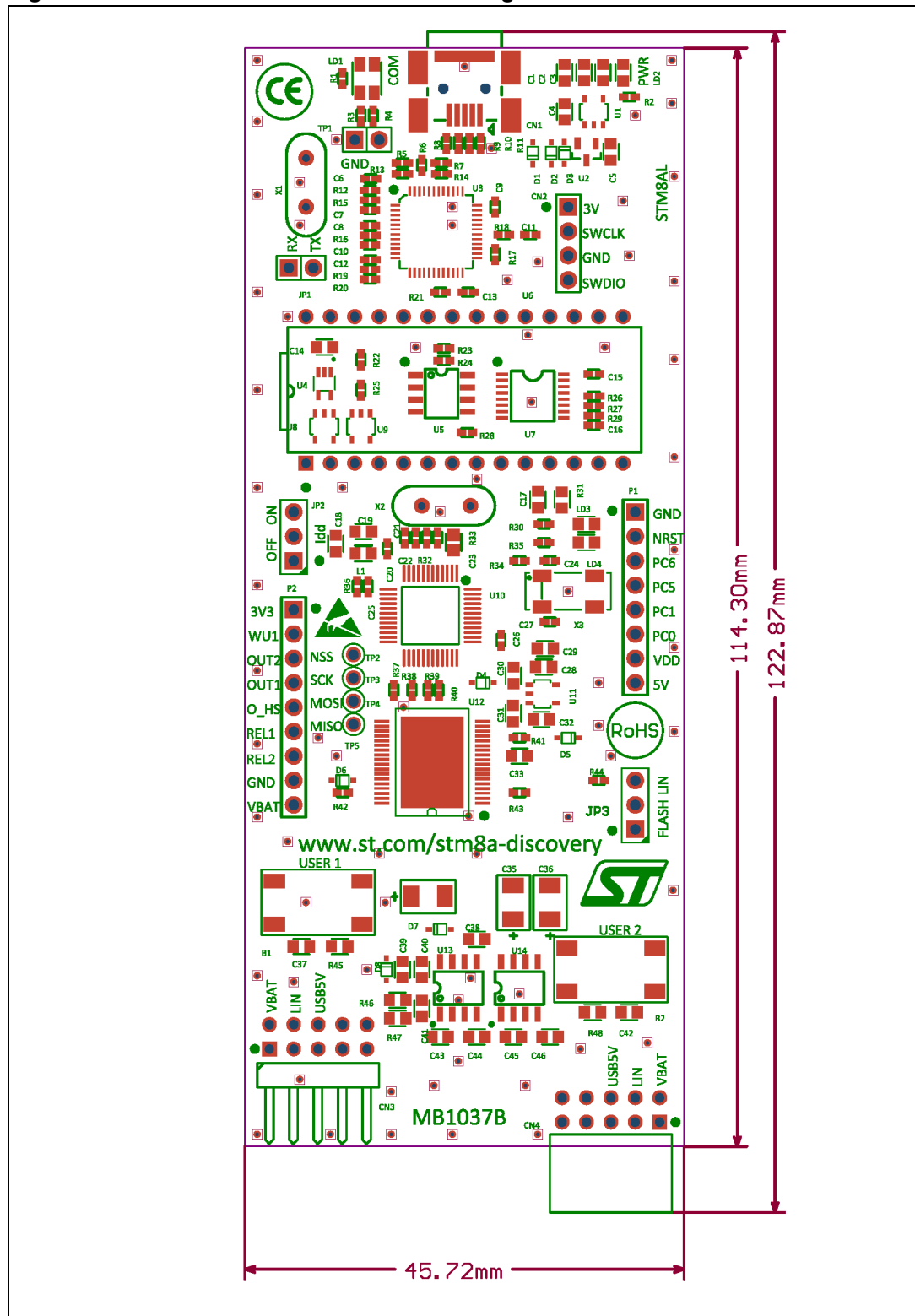
5.1 STM8AF board mechanical drawing

Figure 19. STM8AF board mechanical drawing



5.2 STM8AL board mechanical drawing

Figure 20. STM8AL board mechanical drawing



6 STM8AF board electrical schematics

Figure 21. STM8AF board top level

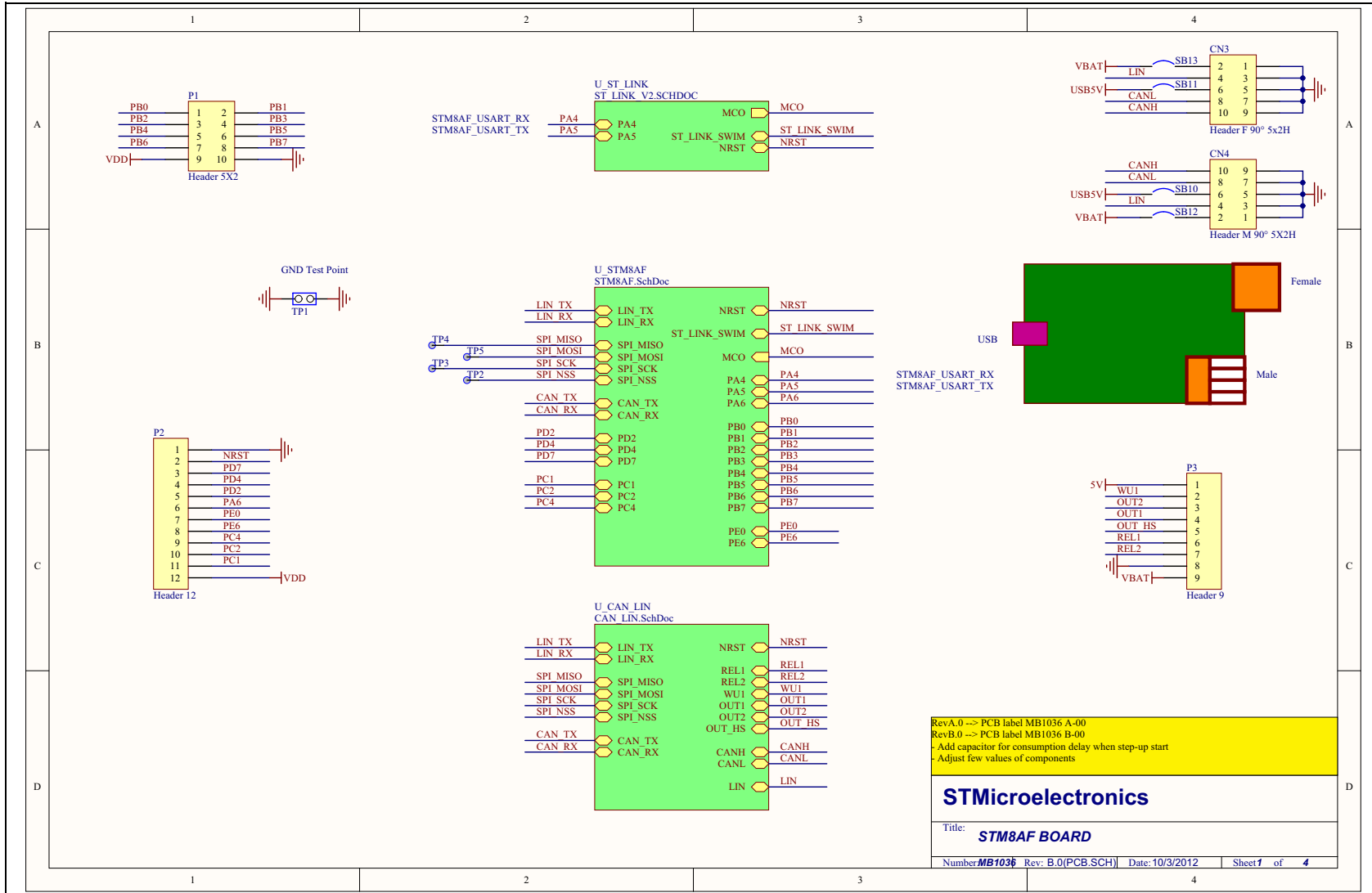




Figure 22. STM8AF board ST-LINK/V2 (SWIM only)

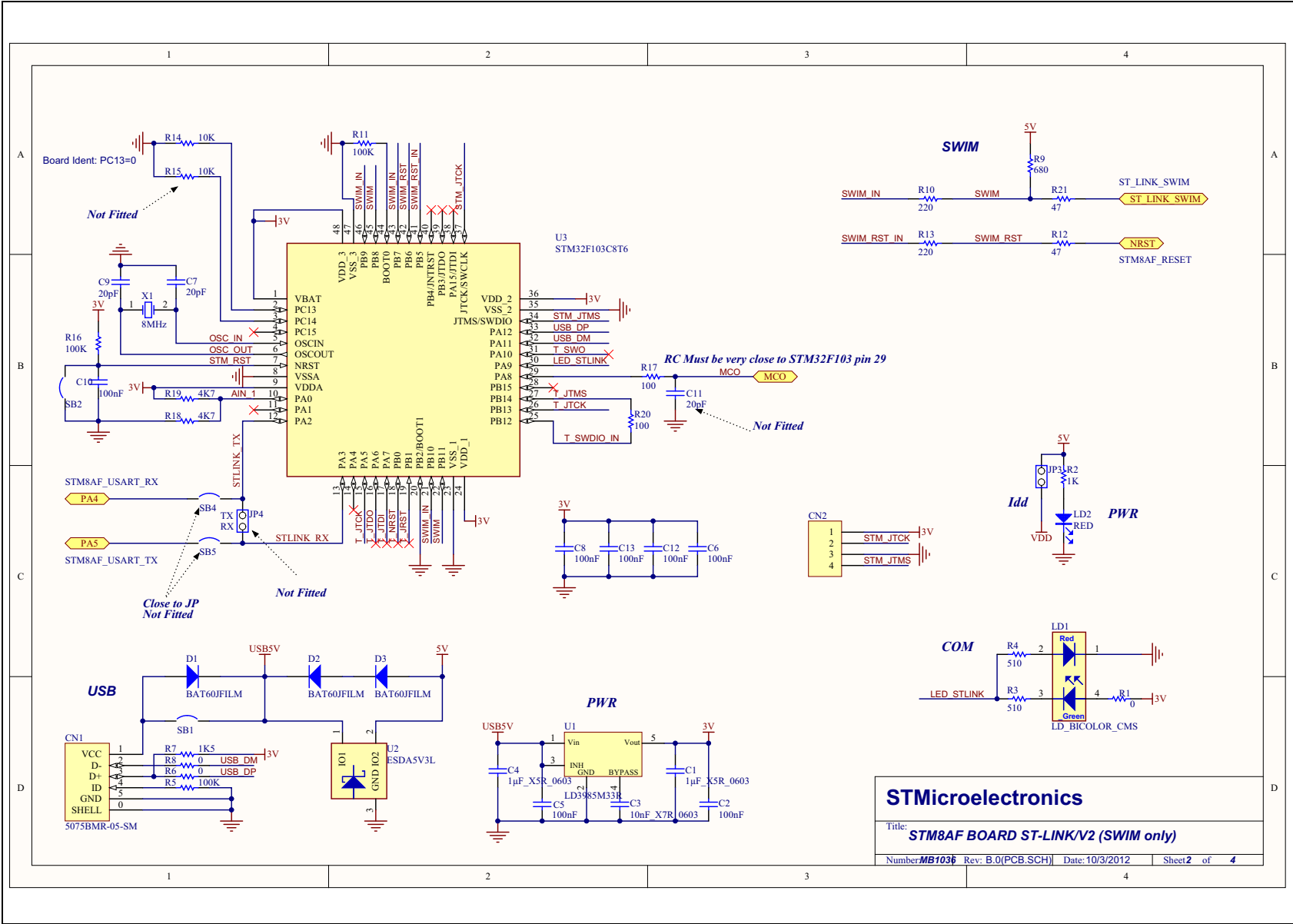




Figure 23. STM8AF board MCU

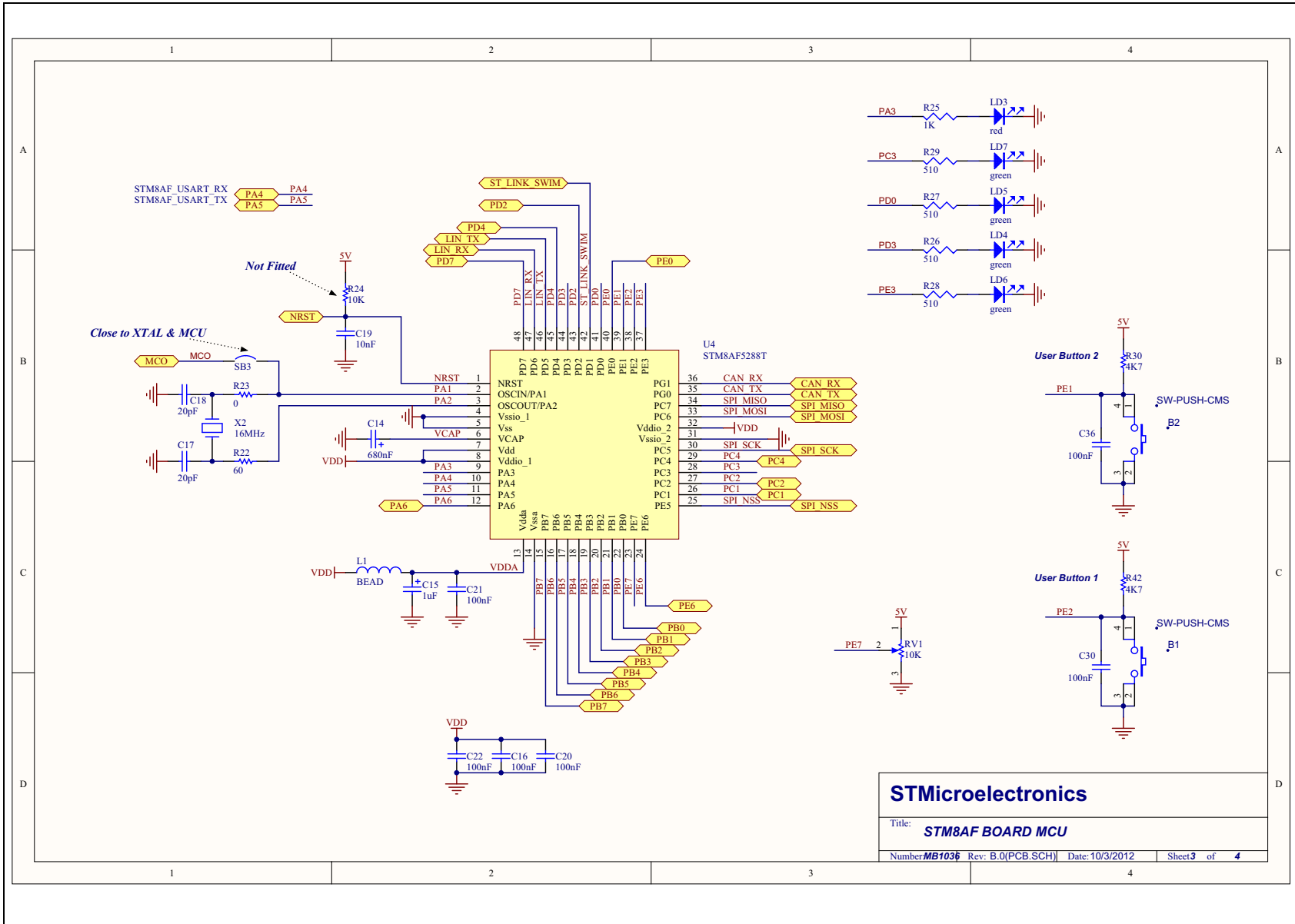
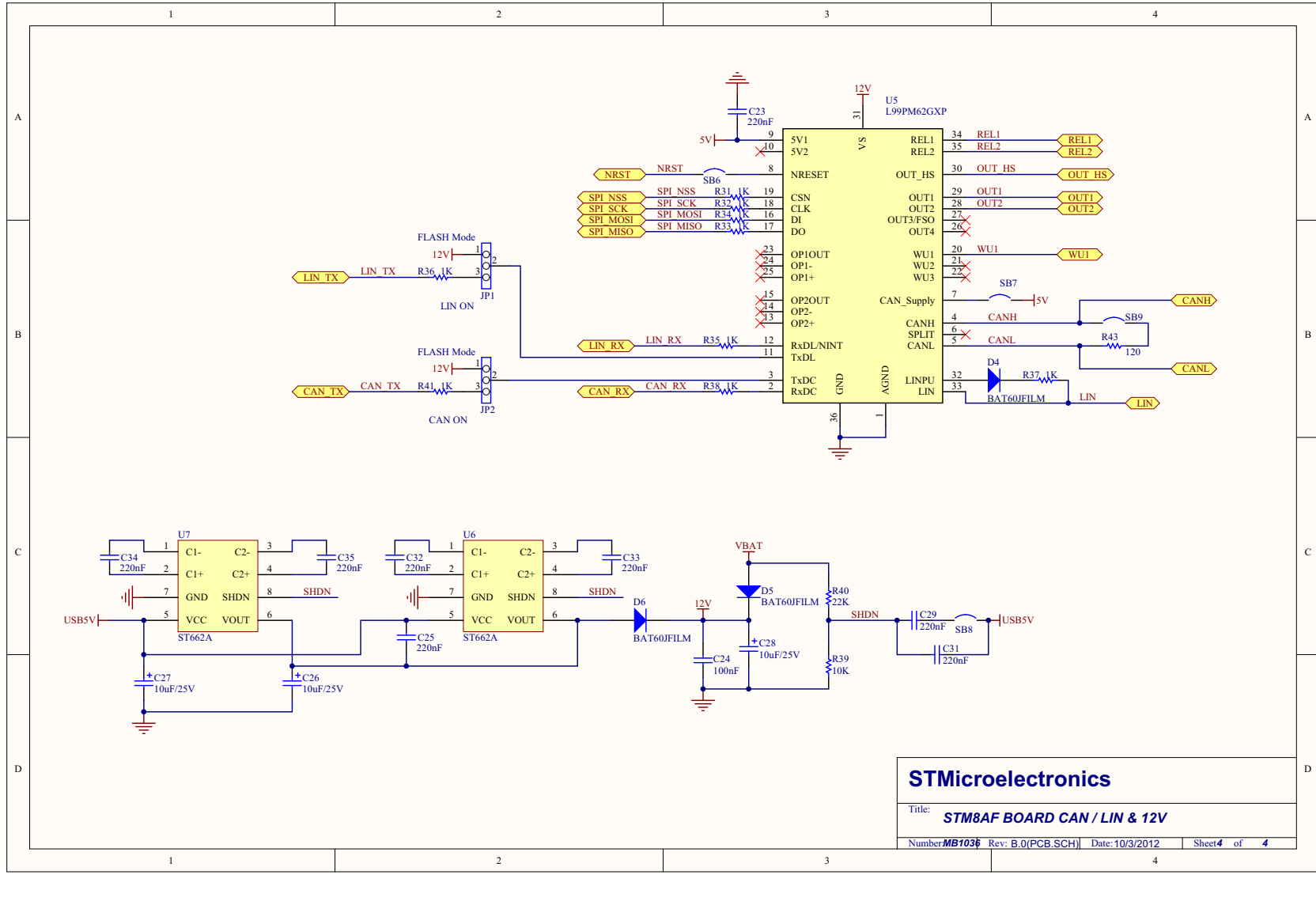




Figure 24. STM8AF board CAN/LIN and 12V



STMicroelectronics

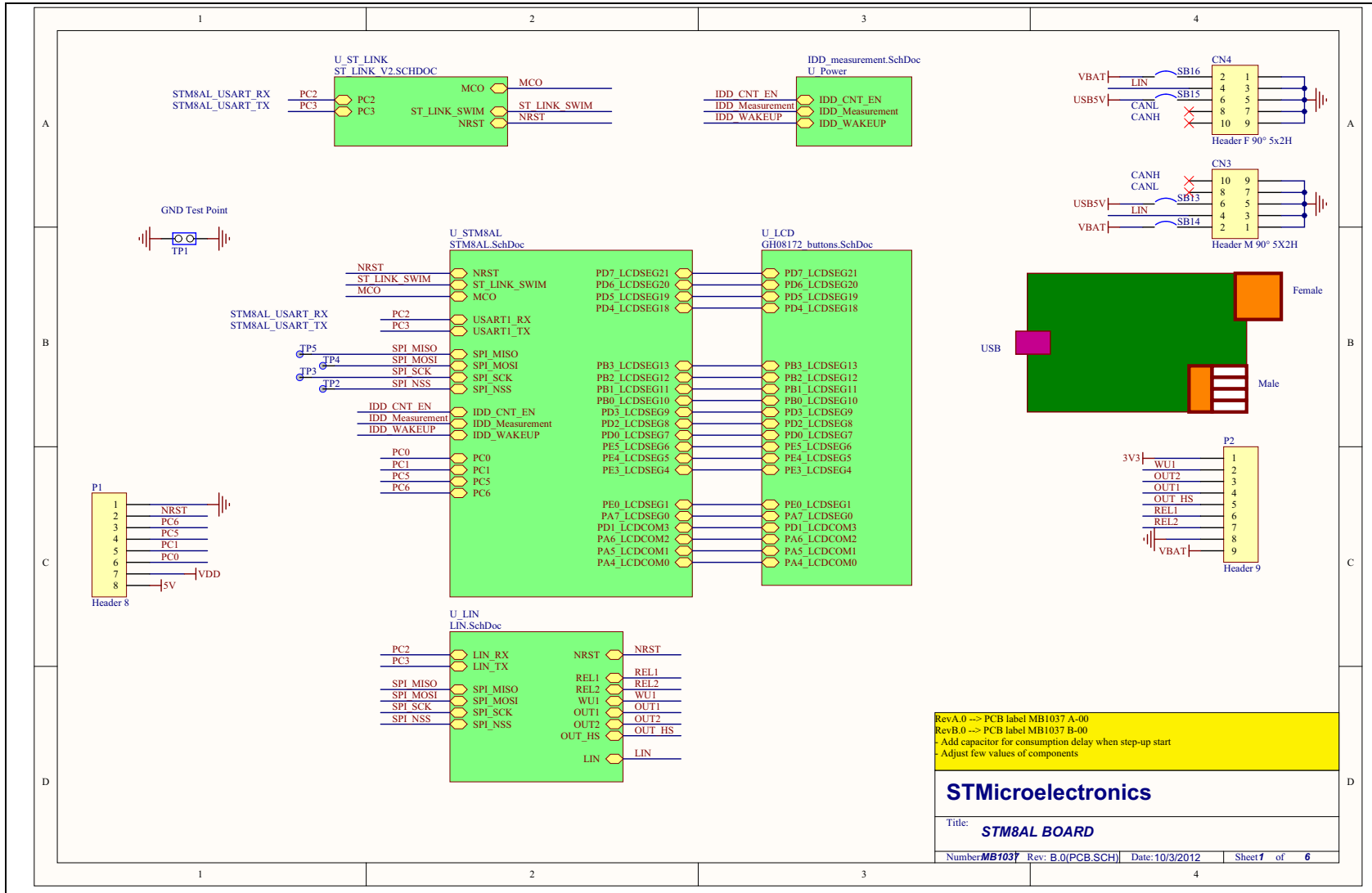
Title: **STM8AF BOARD CAN / LIN & 12V**

Number: **MB1036** Rev: B.0(PCB.SCH) Date: 10/3/2012 Sheet 4 of 4



7 STM8AL board electrical schematics

Figure 25. STM8AL board top level



Rev.A.0 --> PCB label MB1037 A-00
 Rev.B.0 --> PCB label MB1037 B-00
 - Add capacitor for consumption delay when step-up start
 - Adjust few values of components

STMicroelectronics

Title: **STM8AL BOARD**

Number **MB1037** Rev. B.0(PCB.SCH) Date: 10/3/2012 Sheet 1 of 6

Doc ID 023645 Rev 1

41/48

UM1574

STM8AL board electrical schematics



Figure 26. STM8AL board ST-LINK/V2 (SWIM only)

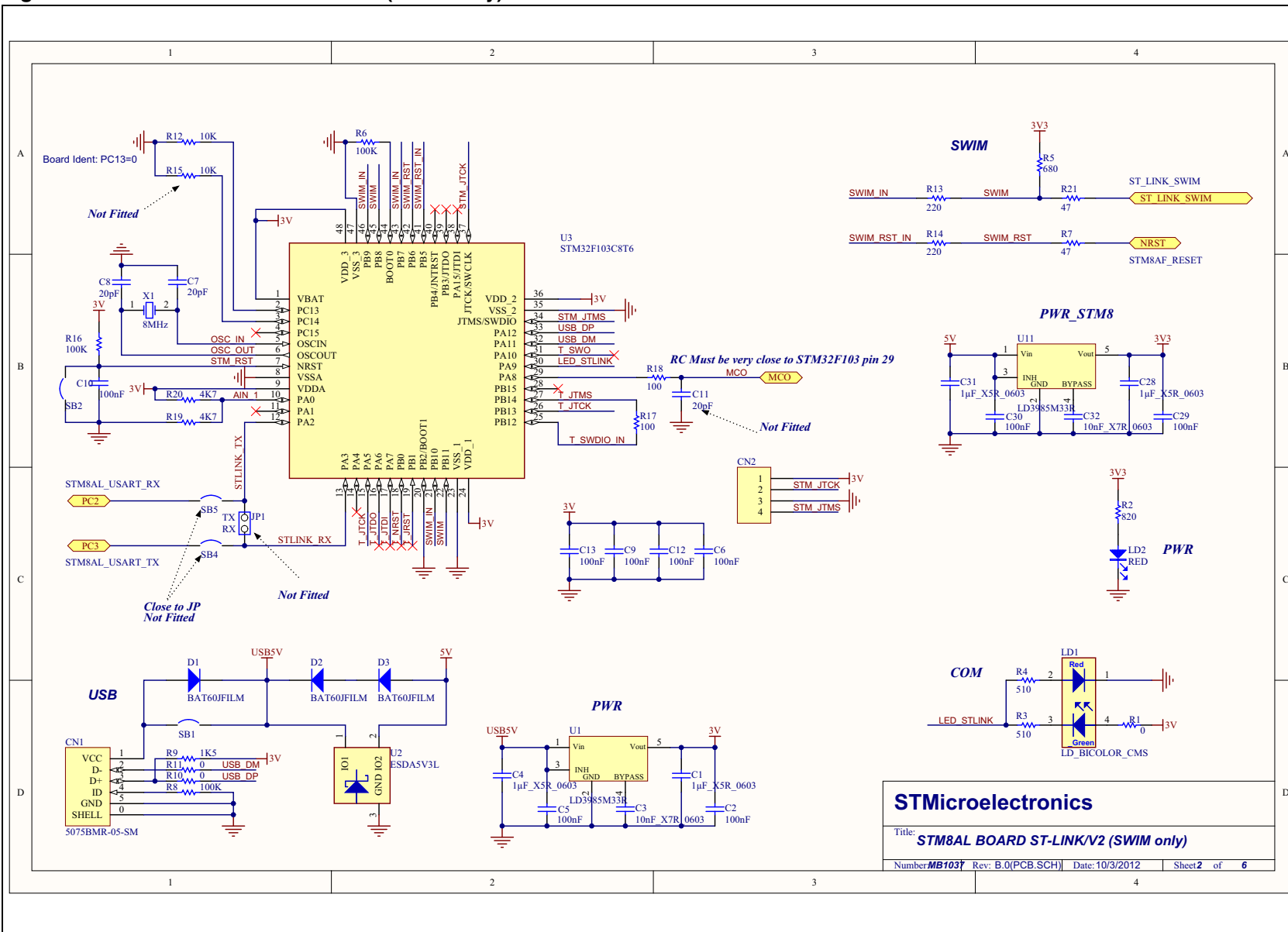
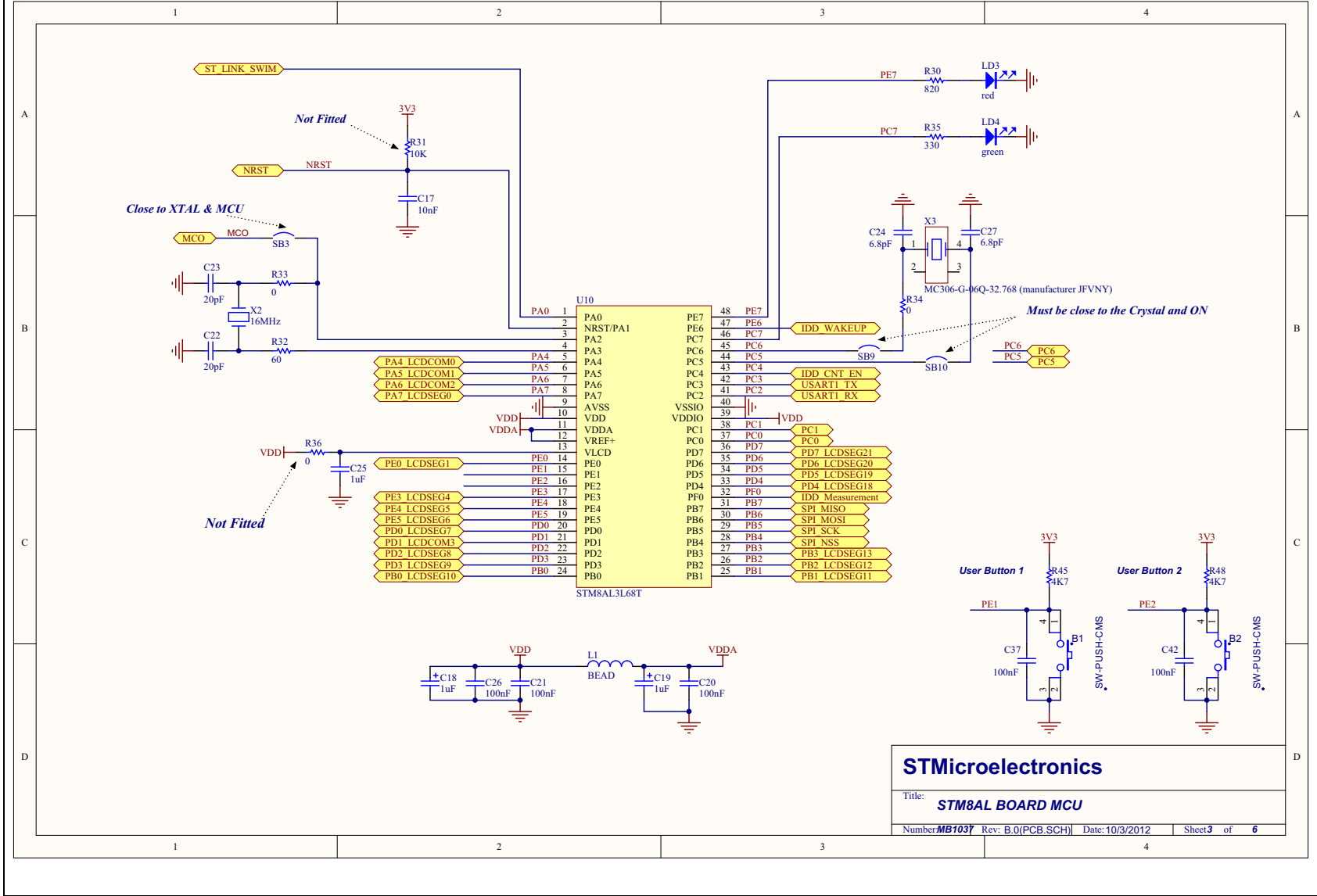


Figure 27. STM8AL board MCU



STMicroelectronics

Title: **STM8AL BOARD MCU**

Number **MB1037** Rev: B.0(PCB.SCH) Date: 10/3/2012 Sheet 3 of 6



Figure 28. STM8AL board LCD

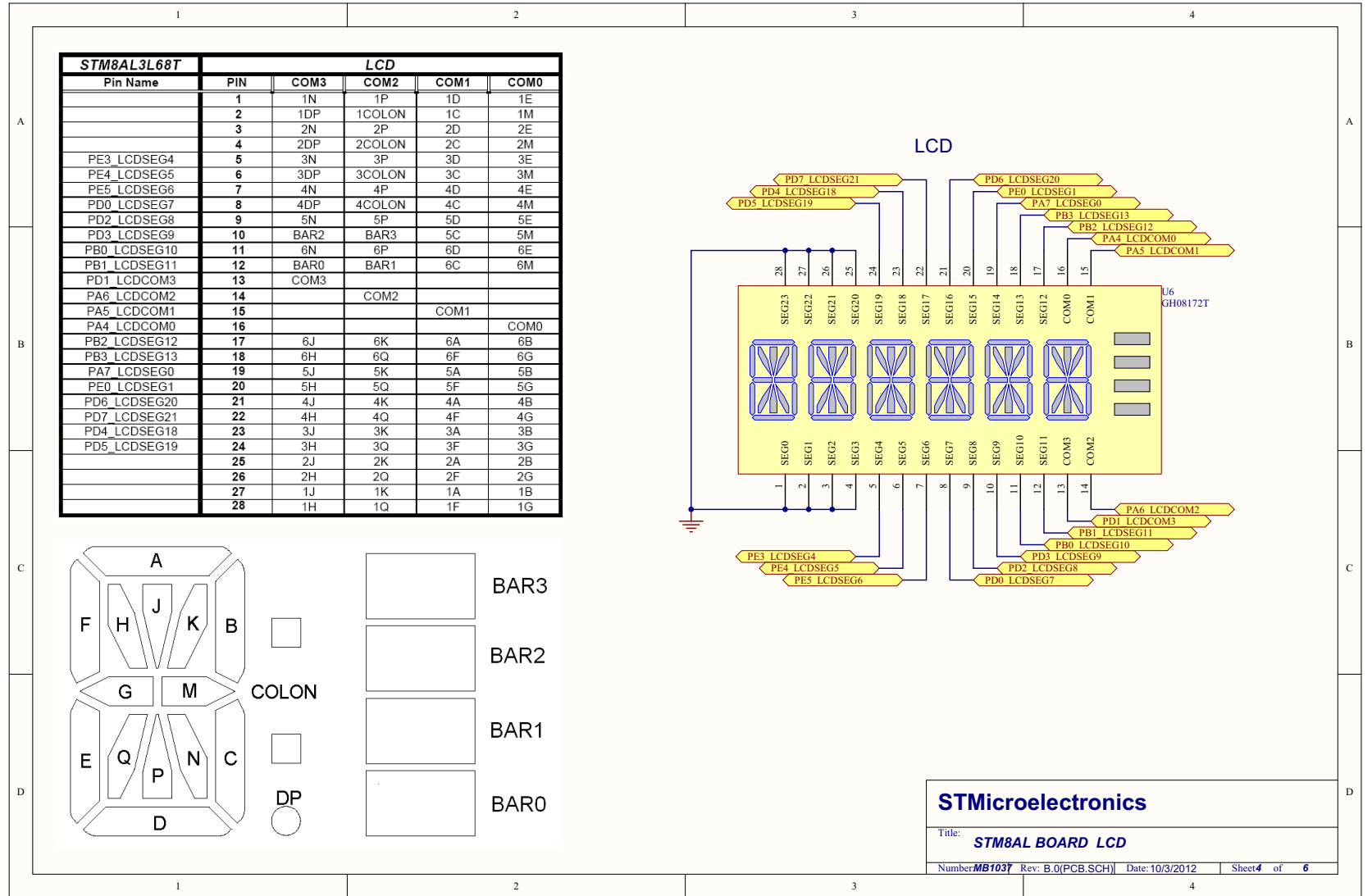
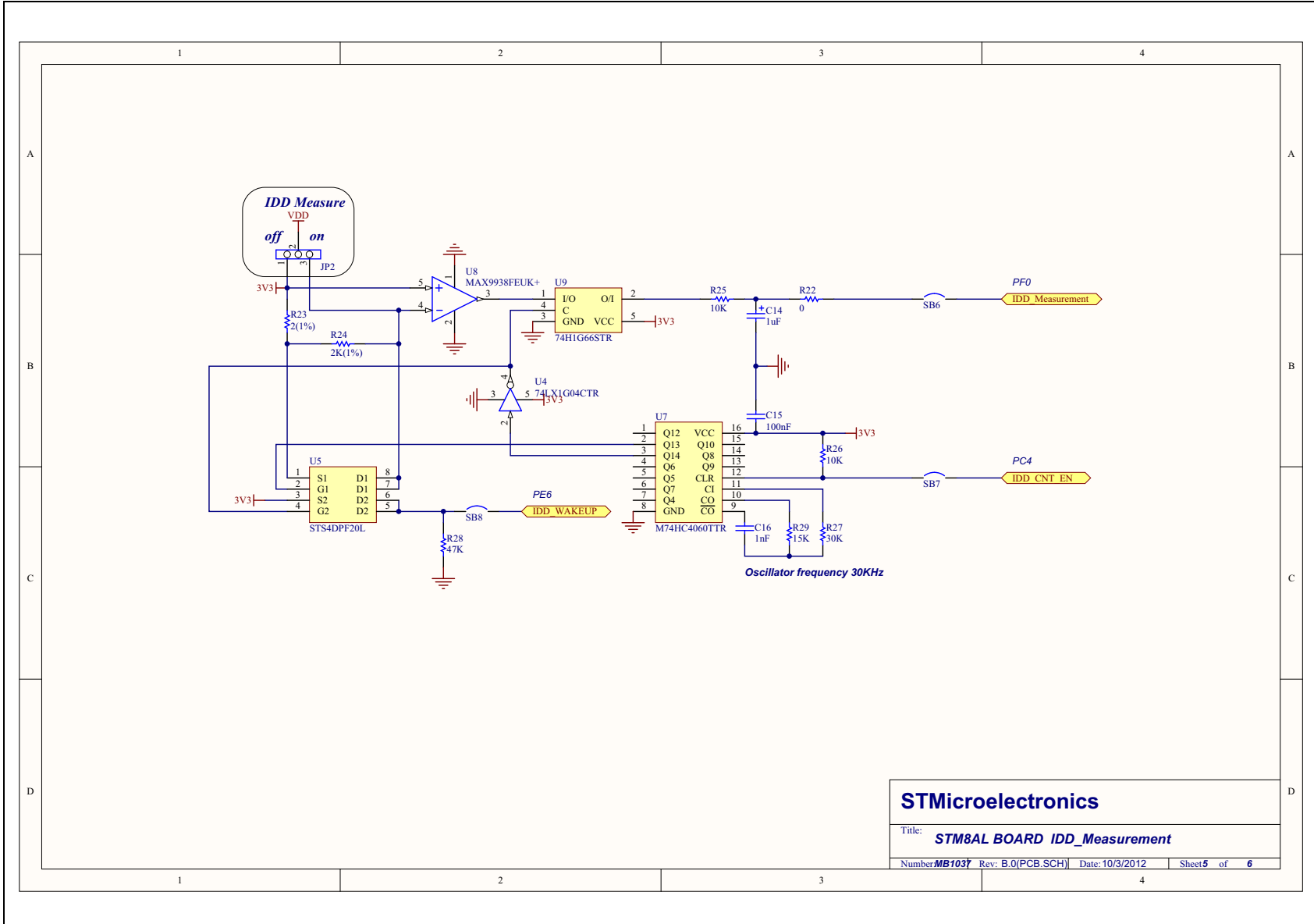




Figure 29. STM8AL board IDD_measurement



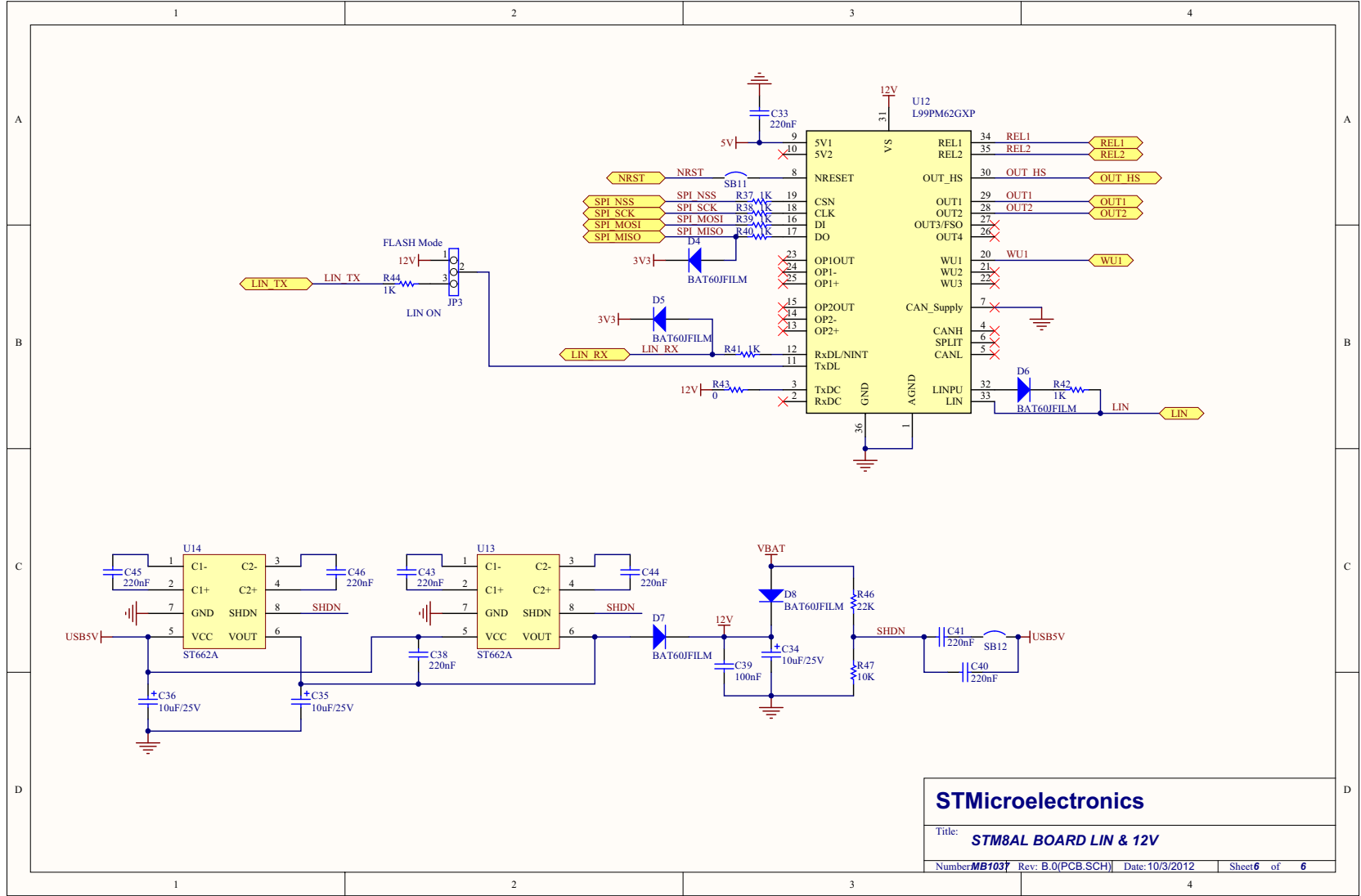
STMicroelectronics

Title: **STM8AL BOARD IDD_Measurement**

Number **MB103** Rev: B.0(PCB.SCH) Date: 10/3/2012 Sheet **5** of **6**



Figure 30. STM8AL board LIN and 12V



8 Revision history

Table 12. Document revision history

Date	Revision	Changes
15-Nov-2012	1	Initial release.

Please Read Carefully:

Information in this document is provided solely in connection with ST products. STMicroelectronics NV and its subsidiaries ("ST") reserve the right to make changes, corrections, modifications or improvements, to this document, and the products and services described herein at any time, without notice.

All ST products are sold pursuant to ST's terms and conditions of sale.

Purchasers are solely responsible for the choice, selection and use of the ST products and services described herein, and ST assumes no liability whatsoever relating to the choice, selection or use of the ST products and services described herein.

No license, express or implied, by estoppel or otherwise, to any intellectual property rights is granted under this document. If any part of this document refers to any third party products or services it shall not be deemed a license grant by ST for the use of such third party products or services, or any intellectual property contained therein or considered as a warranty covering the use in any manner whatsoever of such third party products or services or any intellectual property contained therein.

UNLESS OTHERWISE SET FORTH IN ST'S TERMS AND CONDITIONS OF SALE ST DISCLAIMS ANY EXPRESS OR IMPLIED WARRANTY WITH RESPECT TO THE USE AND/OR SALE OF ST PRODUCTS INCLUDING WITHOUT LIMITATION IMPLIED WARRANTIES OF MERCHANTABILITY, FITNESS FOR A PARTICULAR PURPOSE (AND THEIR EQUIVALENTS UNDER THE LAWS OF ANY JURISDICTION), OR INFRINGEMENT OF ANY PATENT, COPYRIGHT OR OTHER INTELLECTUAL PROPERTY RIGHT.

UNLESS EXPRESSLY APPROVED IN WRITING BY TWO AUTHORIZED ST REPRESENTATIVES, ST PRODUCTS ARE NOT RECOMMENDED, AUTHORIZED OR WARRANTED FOR USE IN MILITARY, AIR CRAFT, SPACE, LIFE SAVING, OR LIFE SUSTAINING APPLICATIONS, NOR IN PRODUCTS OR SYSTEMS WHERE FAILURE OR MALFUNCTION MAY RESULT IN PERSONAL INJURY, DEATH, OR SEVERE PROPERTY OR ENVIRONMENTAL DAMAGE. ST PRODUCTS WHICH ARE NOT SPECIFIED AS "AUTOMOTIVE GRADE" MAY ONLY BE USED IN AUTOMOTIVE APPLICATIONS AT USER'S OWN RISK.

Resale of ST products with provisions different from the statements and/or technical features set forth in this document shall immediately void any warranty granted by ST for the ST product or service described herein and shall not create or extend in any manner whatsoever, any liability of ST.

ST and the ST logo are trademarks or registered trademarks of ST in various countries.

Information in this document supersedes and replaces all information previously supplied.

The ST logo is a registered trademark of STMicroelectronics. All other names are the property of their respective owners.

© 2012 STMicroelectronics - All rights reserved

STMicroelectronics group of companies

Australia - Belgium - Brazil - Canada - China - Czech Republic - Finland - France - Germany - Hong Kong - India - Israel - Italy - Japan - Malaysia - Malta - Morocco - Philippines - Singapore - Spain - Sweden - Switzerland - United Kingdom - United States of America

www.st.com