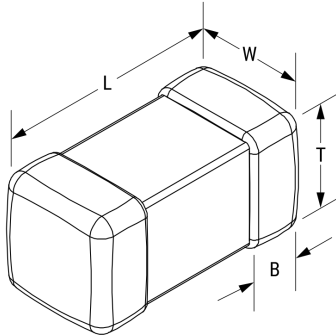


Z0805C121BPWZT

Aliases (Z0805C121BPWZT)

Not for New Design • Scheduled EOL - Last date to buy 30 JUN 2023

KEMET, Z-PWZ, Ferrite Beads, Noise Suppression, 32 mOhms



Click [here](#) for the 3D model.

Dimensions

Chip Size	0805
L	2mm +/-0.2mm
W	1.25mm +/-0.2mm
T	0.85mm +/-0.2mm
B	0.5mm +/-0.3mm

Packaging Specifications

Packaging	T&R
Packaging Quantity	4000

General Information

Series	Z-PWZ
Style	SMD Chip
Description	Chip Bead, Power Line
Features	For MHz Range Applications
RoHS	Yes
Notes	Last Order Date June 30, 2023. Suggested Replacement - https://productfinder.pulseelectronics.com/part/BBPY00201209121Y00 .

Specifications

Impedance	120 Ohms (100 MHz)
Impedance Tolerance	25%
Ripple Current	2500 mA (MAX)
Temperature Range	-40/+125°C