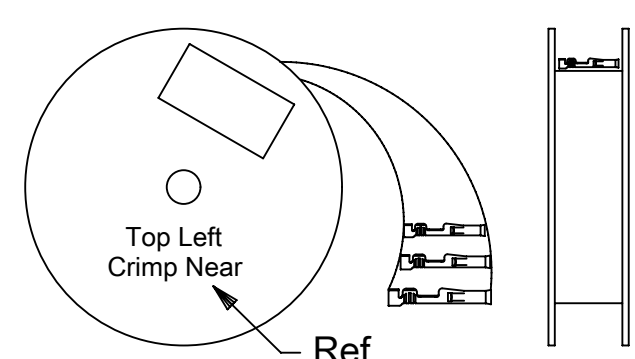
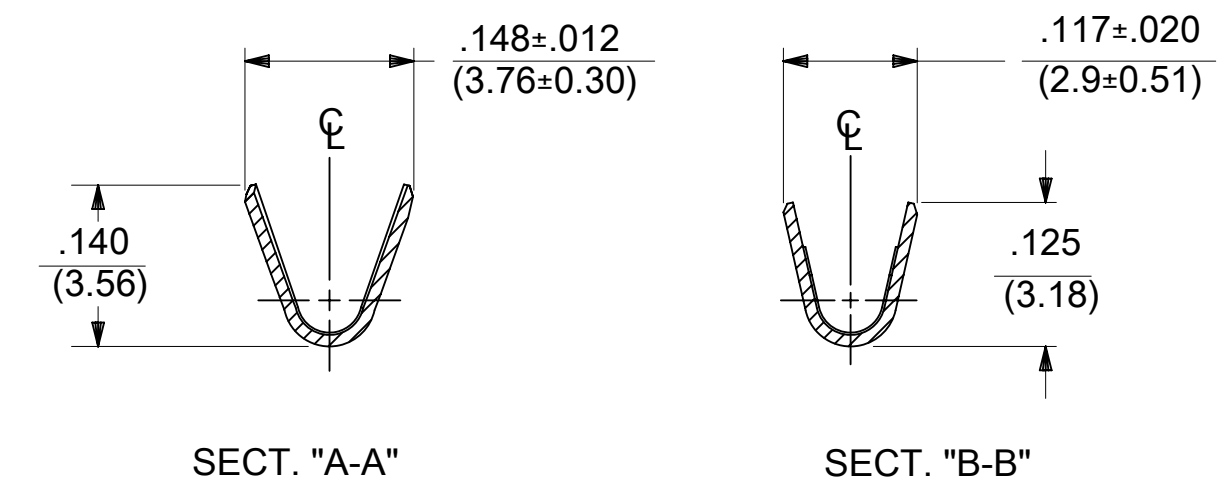
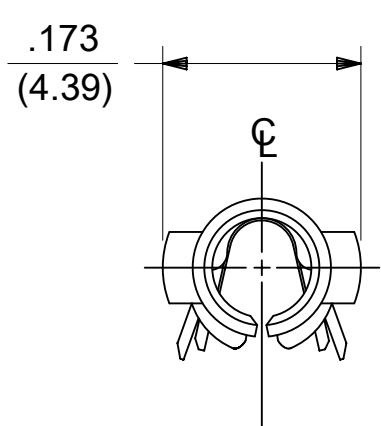
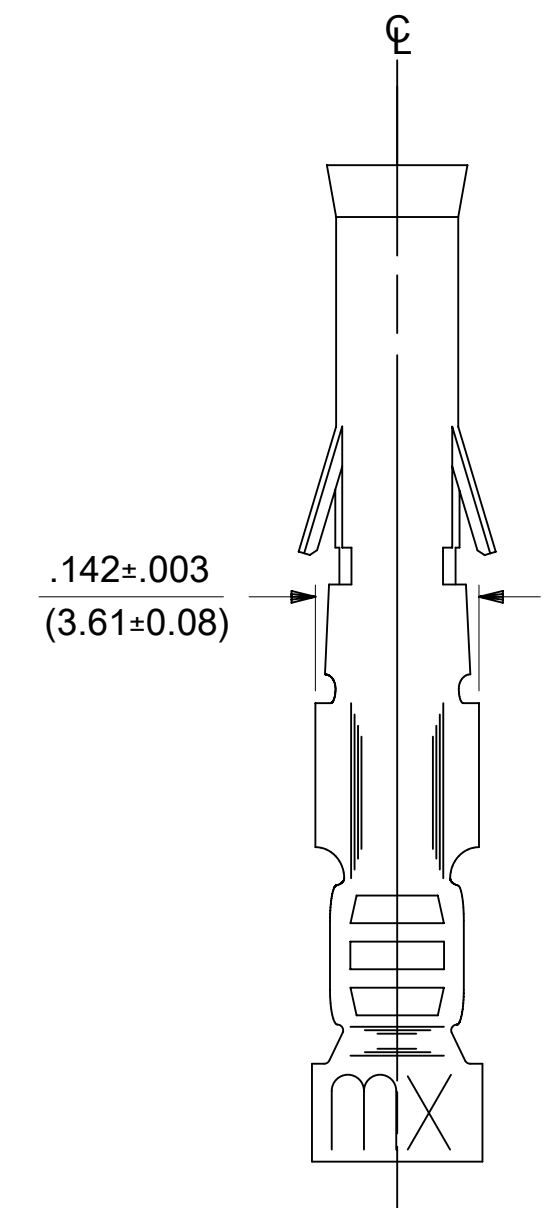
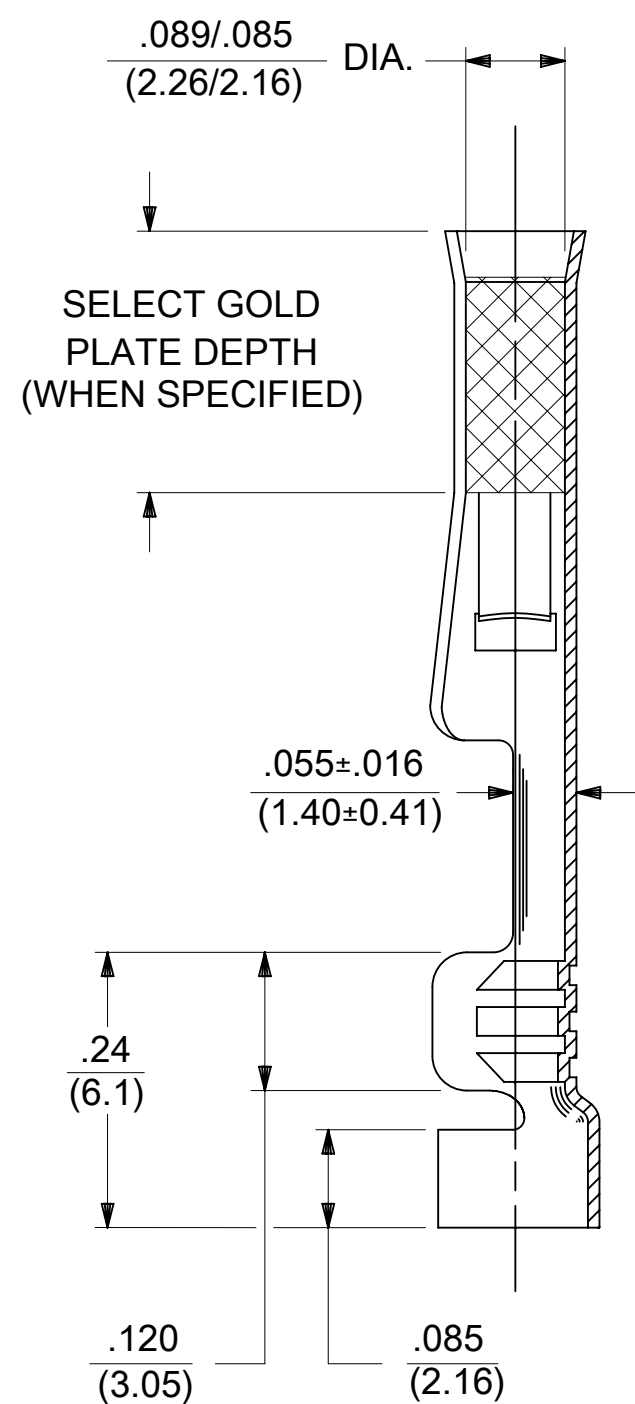
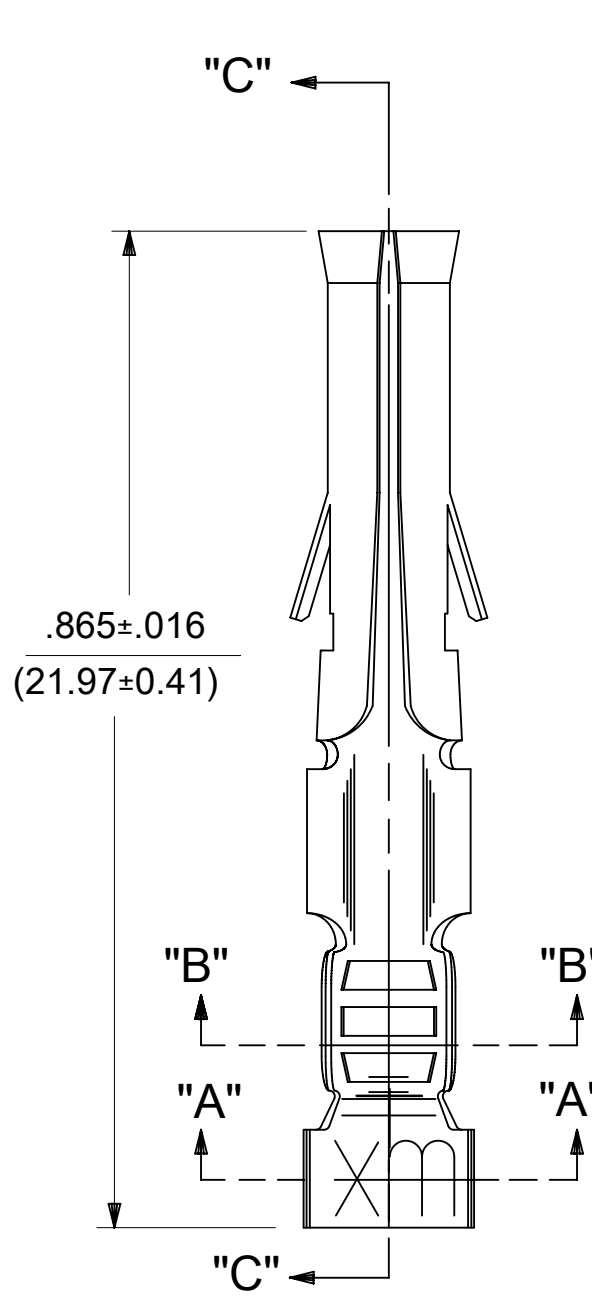


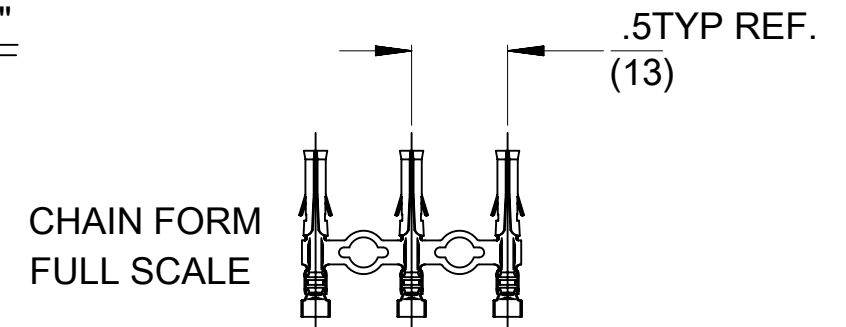
PART NO.	ENG NO.
02-09-1119	1381-A(P901)L
02-09-1117	1381-A(P901)
02-09-5142	1381-A(P550)L
02-09-5143	1381-A(P550)



STANDARD CHAIN



SECT. "C-C"



LEGEND
1381-A(**)***

- P = PREPLATE
- BLANK = POSTPLATE
- FORM BLANK = STD. CHAIN
- 1 = STD. CHAIN WITH INTERLEAF PAPER
- L = LOOSE
- FINISH CODE

- NOTES:
- MATERIAL: BRASS
 - FINISH:
 - 901 HOT TIN DIP .000020/(0.00051) MIN.
 - 591 SELECT GOLD PLATE .000050/(0.00127) MIN. IN CONTACT AREA. OVER .000050/(0.00127) MIN. NICKEL OVERALL WITH .000010/(0.00025) MAX. GOLD FLASH OVERALL.
 - 550 SELECT GOLD PLATE .000015/(0.00038) MIN. IN CONTACT AREA, OVER .000030/(0.00076) MIN. NICKEL OVERALL WITH .000010/(0.00025) MAX. GOLD FLASH OVERALL.
 - PRODUCT SPECIFICATION PS-43660-9999.
 - PACKAGING INFORMATION: NOT AVAILABLE
 - TERMINAL FOR USE WITH .093/(2.36) SERIES HOUSINGS AND WILL ACCEPT 18-22 AWG WIRE
 - INSERTION FORCE: 3.5 LBS. MAX. WHEN TERMINAL IS INSERTED INTO AN .093 SERIES HOUSING.
 - TERMINAL RETENTION: 20 LBS. MIN. FROM HOUSING.

THIS DRAWING CONTAINS INFORMATION THAT IS PROPRIETARY TO MOLEX ELECTRONIC TECHNOLOGIES, LLC AND SHOULD NOT BE USED WITHOUT WRITTEN PERMISSION									
DIMENSION UNITS		SCALE		CURRENT REV DESC: REMOVED OBSOLETE PART NUMBER AS PER PCN#509450.				molex	
IN/MM		6:1							
GENERAL TOLERANCES (UNLESS SPECIFIED)				EC NO: 694111		2022/01/24		CRIMP TERMINAL, FEMALE .093/(2.36) DIA. 18-22 AWG	
				DRWN: SUGEEB		2022/03/31			
				CHK'D: GGA		2022/03/31		PRODUCT CUSTOMER DRAWING	
				APPR: GGA		2022/03/31			
				INITIAL REVISION:				DOCUMENT NUMBER	
				DRWN: GEP		1987/11/06			
				APPR: RAS		1987/11/06		SD-1381-X	
DRAFT WHERE APPLICABLE MUST REMAIN WITHIN DIMENSIONS				THIRD ANGLE PROJECTION		DRAWING		SERIES	
				C-SIZE		1381		MATERIAL NUMBER	
								CUSTOMER	
								GENERAL MARKET	
								SHEET NUMBER	
								1 OF 1	