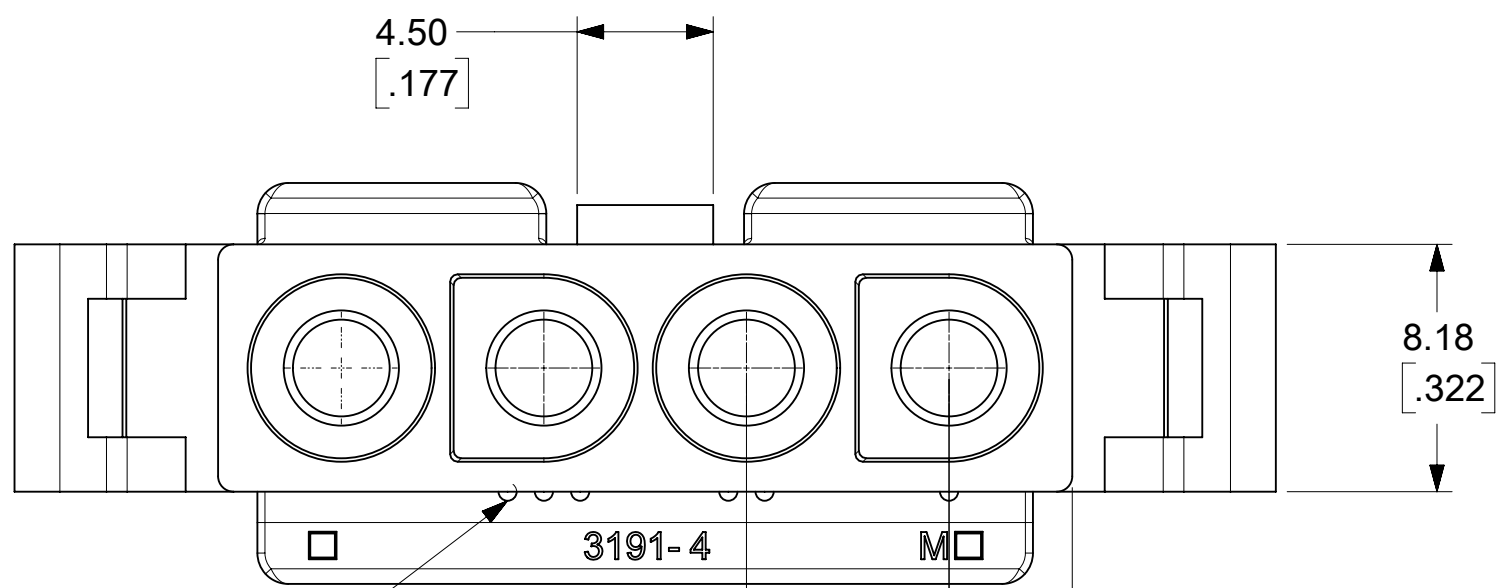


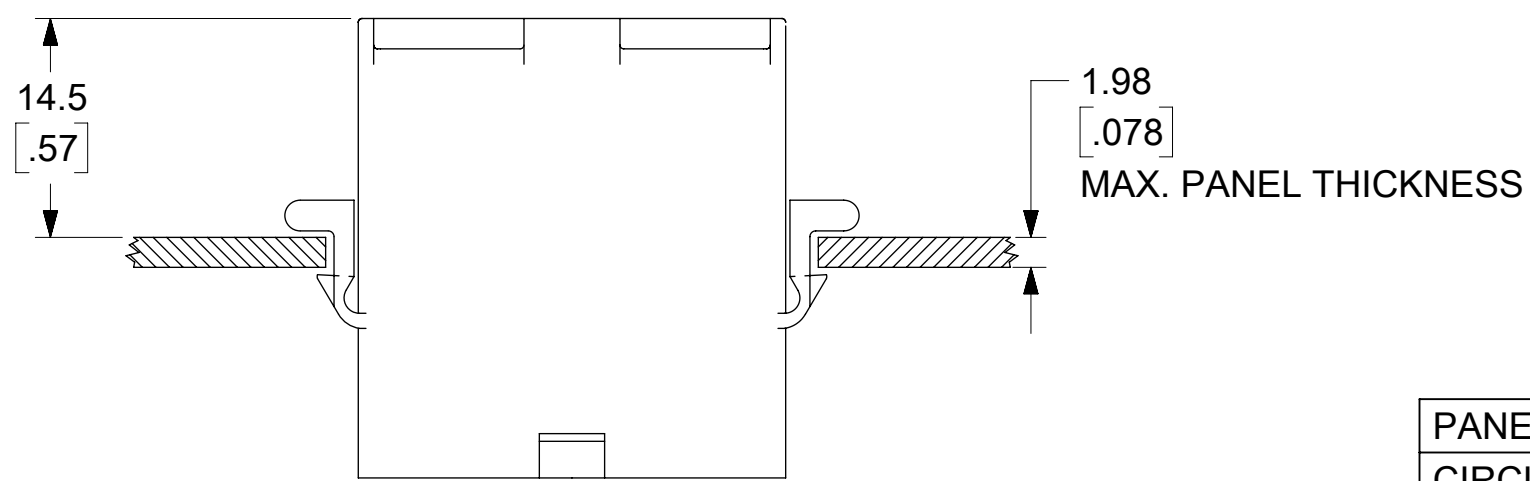
(SHOWN WITH OPTIONAL MOUNTING EARS)

PLUG

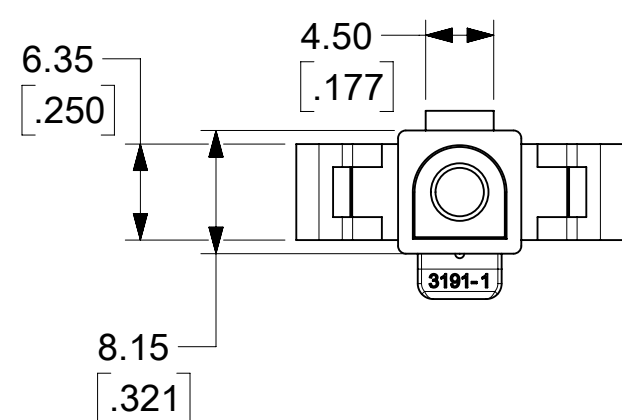
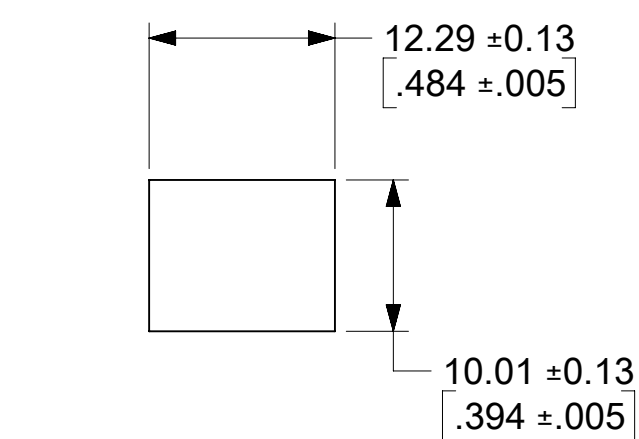
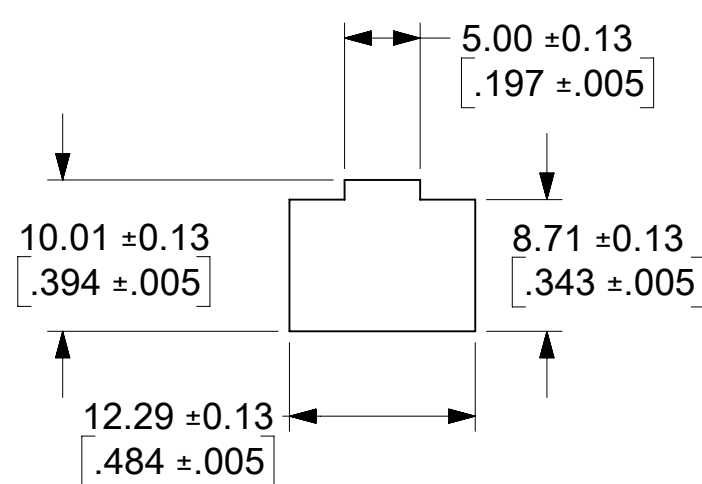
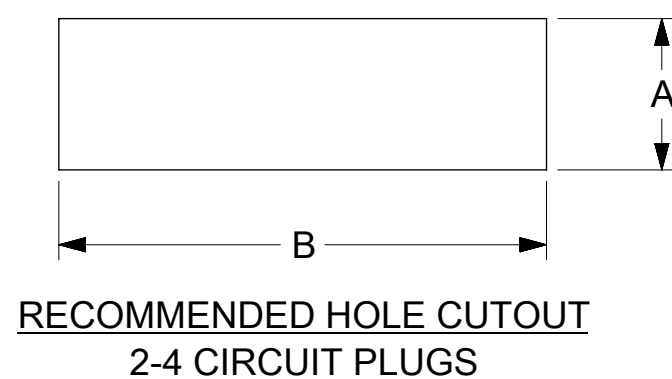


CIRCUIT I.D. RIBS

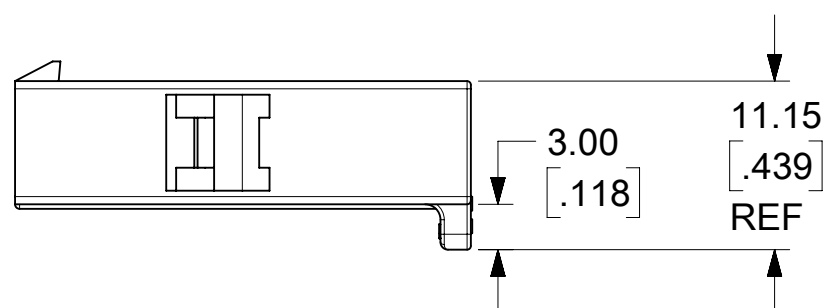
FUNCTIONAL SYMBOLS FA = 0 FC = 0 FP = 0	THIS DRAWING CONTAINS INFORMATION THAT IS PROPRIETARY TO MOLEX ELECTRONIC TECHNOLOGIES, LLC AND SHOULD NOT BE USED WITHOUT WRITTEN PERMISSION													
	DIMENSION UNITS		SCALE		CURRENT REV DESC: RELEASED									
	MM/INCH		4:1		EC NO: 643927 DRWN: MKIPPER 2020/06/02 CHK'D: MKIPPER 2022/10/12 APPR: FSMITH 2022/10/14									
	GENERAL TOLERANCES (UNLESS SPECIFIED)													
DIVISIONAL SYMBOLS		MM	INCH	INITIAL REVISION: DRWN: MKIPPER 2020/06/02 APPR: FSMITH 2022/10/14										
4 PLACES	±	±	PRODUCT CUSTOMER DRAWING DOCUMENT NUMBER: 31910000-SD DOC TYPE: PSD DOC PART: 000 REVISION: A											
3 PLACES	±	± 0.01												
2 PLACES	±	± 0.015												
1 PLACE	±	± 0.38	±	MATERIAL NUMBER		CUSTOMER		SHEET NUMBER						
0 PLACES	±	±	±	SEE CHARTS	GENERAL MARKET		1 OF 4							
ANGULAR TOL ± °				THIRD ANGLE PROJECTION		DRAWING		SERIES						
DRAFT WHERE APPLICABLE MUST REMAIN WITHIN DIMENSIONS				C-SIZE		3191								



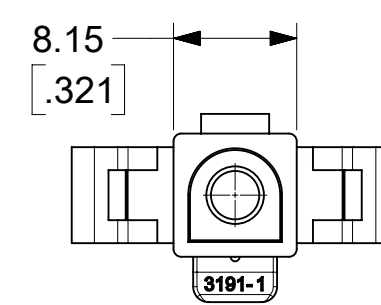
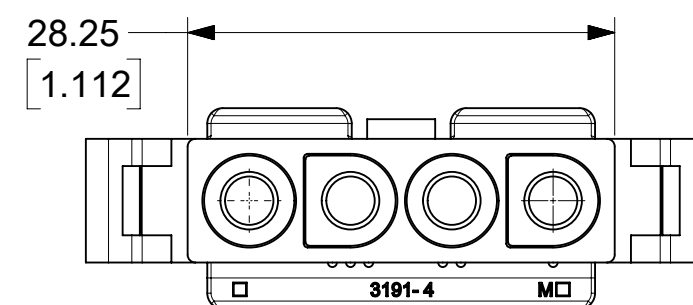
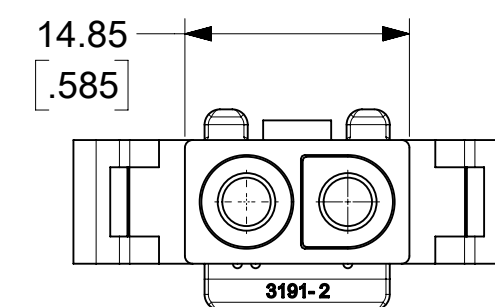
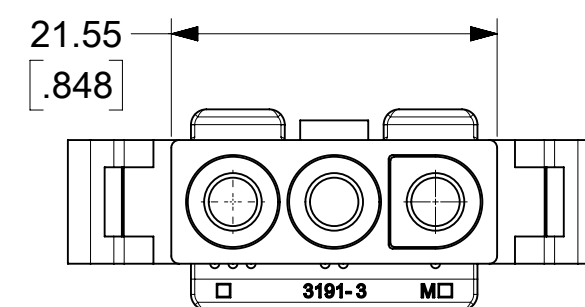
PANEL HOLE CUTOUT DIMENSIONS		
CIRCUITS	DIM. "A"	DIM. "B"
2	9.27 ±0.13 .365 ±.005	20.32 ±0.13 .800 ±.005
3	10.01 ±0.13 .394 ±.005	25.91 ±0.13 1.020 ±.005
4	10.01 ±0.13 .394 ±.005	32.26 ±0.13 1.270 ±.005



THESE DIMENSIONS APPLY TO 1 CIRCUIT PLUG ONLY
SEE SHEETS 1 FOR OTHER DIMENSIONS.



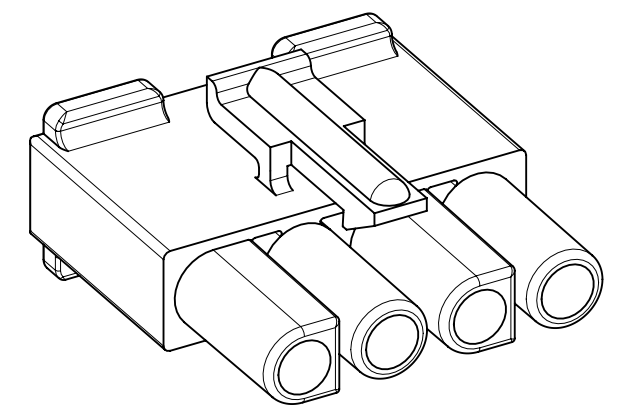
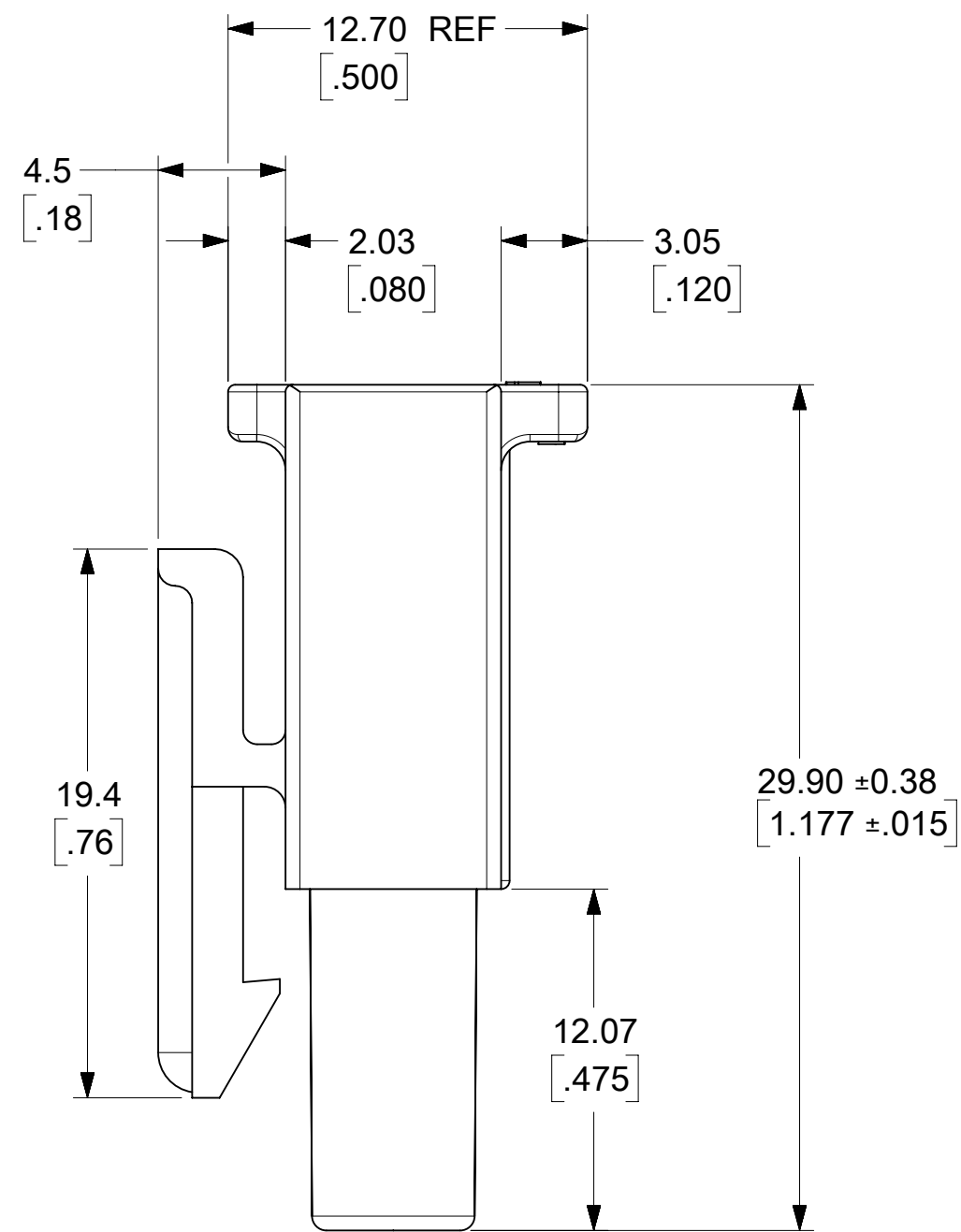
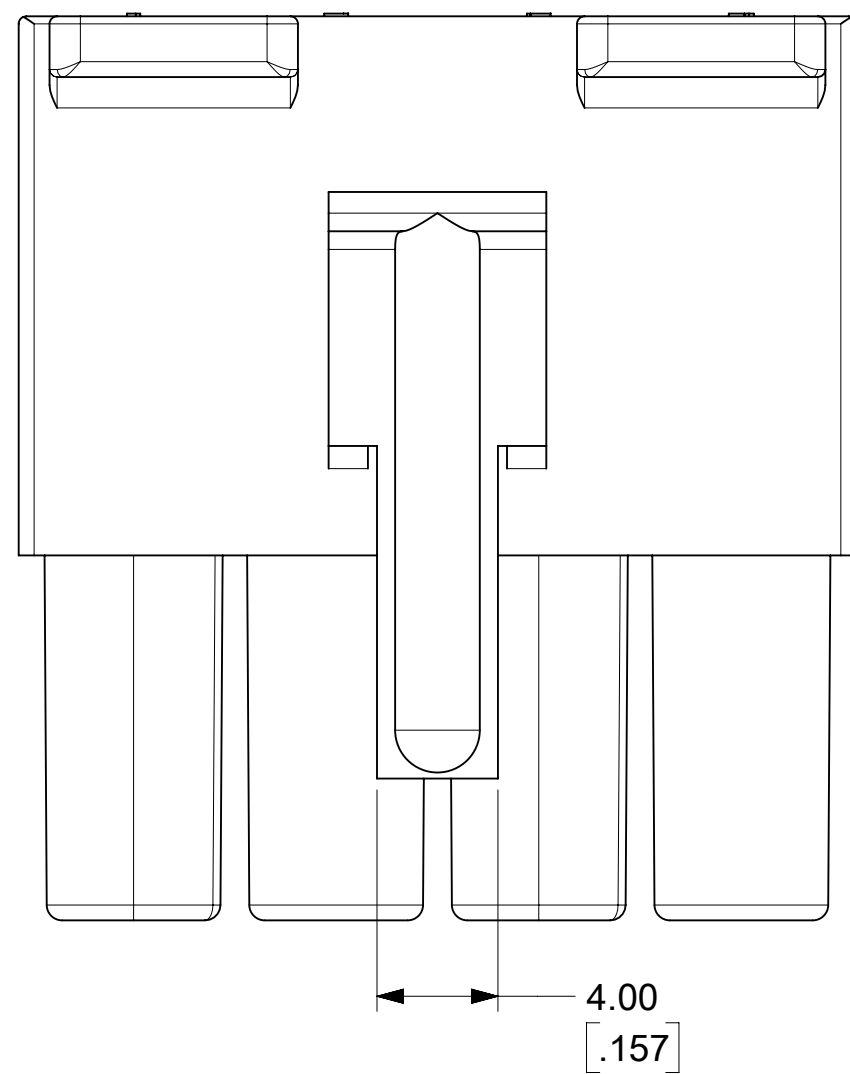
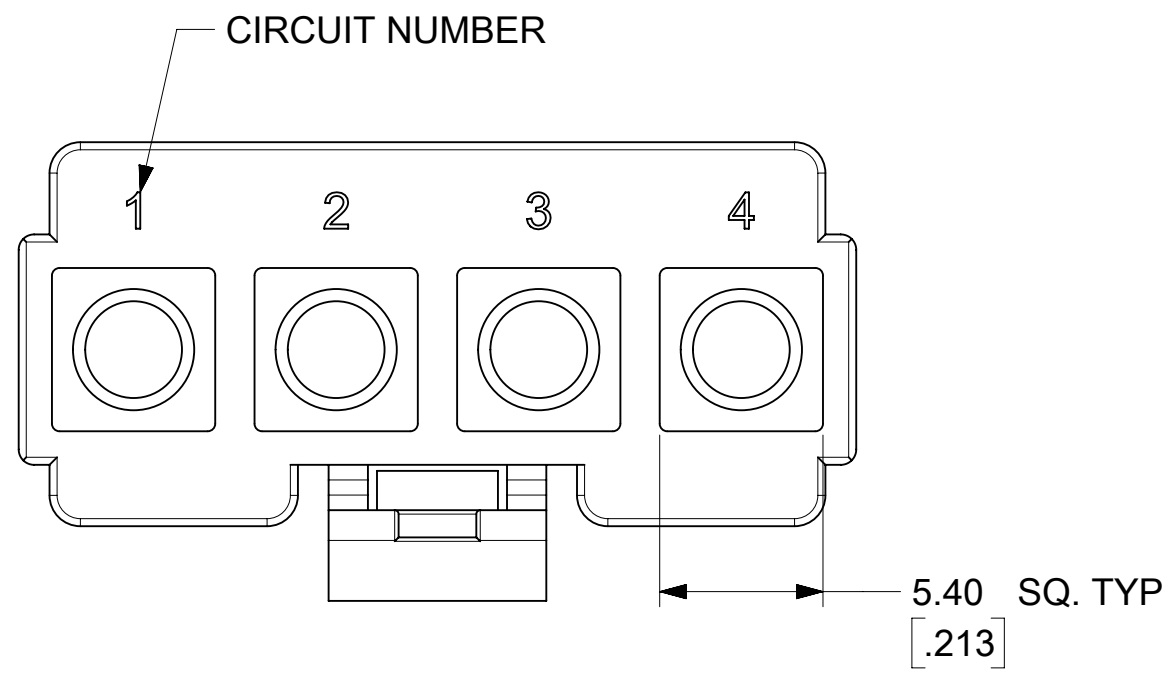
CIRCUITS	PART NO.	ENG. NO.	MATERIAL	COLOR	MOUNTING EARS	PACKAGING
1	19-09-2018	3191-1P	UL94V-2	NATURAL	YES	31910002-PK
	19-09-2019	3191-1P1	UL94V-2	NATURAL	NO	31910002-PK
	19-09-2017	3191-1P-201	UL94V-0	IVORY	YES	31910002-PK
	19-09-2016	3191-1P1-201	UL94V-0	IVORY	NO	31910002-PK
2	19-09-2028	3191-2P	UL94V-2	NATURAL	YES	31910002-PK
	19-09-2029	3191-2P1	UL94V-2	NATURAL	NO	31910002-PK
	19-09-2027	3191-2P-201	UL94V-0	IVORY	YES	31910002-PK
	19-09-2026	3191-2P1-201	UL94V-0	IVORY	NO	31910002-PK
3	19-09-2038	3191-3P	UL94V-2	NATURAL	YES	31910001-PK
	19-09-2039	3191-3P1	UL94V-2	NATURAL	NO	31910001-PK
	19-09-2037	3191-3P-201	UL94V-0	IVORY	YES	31910002-PK
	19-09-2036	3191-3P1-201	UL94V-0	IVORY	NO	31910002-PK
	19-09-3033	3191-3PBU	UL94V-2	BLUE	YES	31910002-PK
4	19-09-2048	3191-4P	UL94V-2	NATURAL	YES	31910002-PK
	19-09-2049	3191-4P1	UL94V-2	NATURAL	NO	31910002-PK
	19-09-2047	3191-4P-201	UL94V-0	IVORY	YES	31910002-PK
	19-09-2046	3191-4P1-201	UL94V-0	IVORY	NO	31910002-PK



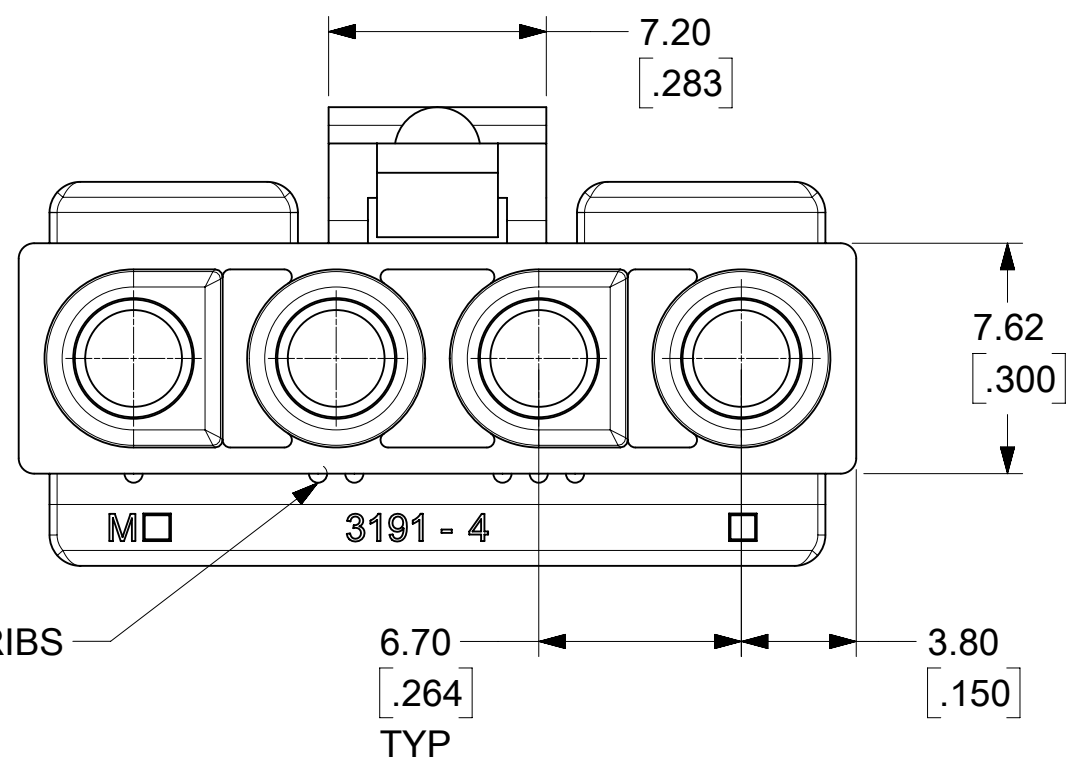
PLUG POLARIZATION

FUNCTIONAL SYMBOLS	THIS DRAWING CONTAINS INFORMATION THAT IS PROPRIETARY TO MOLEX ELECTRONIC TECHNOLOGIES, LLC AND SHOULD NOT BE USED WITHOUT WRITTEN PERMISSION					
	DIMENSION UNITS	SCALE	CURRENT REV DESC: RELEASED			
$F_A = 0$	MM/INCH	2:1	<p>EC NO: 643927</p> <p>DRWN: MKIPPER 2020/06/02</p> <p>CHK'D: MKIPPER 2022/10/12</p> <p>APPR: FSMITH 2022/10/14</p> <p>INITIAL REVISION:</p> <p>DRWN: MKIPPER 2020/06/02</p> <p>APPR: FSMITH 2022/10/14</p>			
$F_C = 0$	GENERAL TOLERANCES (UNLESS SPECIFIED)					
$F_P = 0$						
DIVISIONAL SYMBOLS						
	4 PLACES	±	±	DOCUMENT NUMBER		
	3 PLACES	±	± 0.01	31910000-SD		
	2 PLACES	± 0.25	± 0.015	DOC TYPE	DOC PART	
	1 PLACE	± 0.38	±	PSD	000	
	0 PLACES	±	±	DOC PART	REVISION	
	ANGULAR TOL	± °		1	A	
	DRAFT WHERE APPLICABLE MUST REMAIN WITHIN DIMENSIONS	THIRD ANGLE PROJECTION	DRAWING	SERIES	MATERIAL NUMBER	
			C-SIZE	3191	SEE CHARTS	
					CUSTOMER	
					GENERAL MARKET	
					SHEET NUMBER	
					2 OF 4	

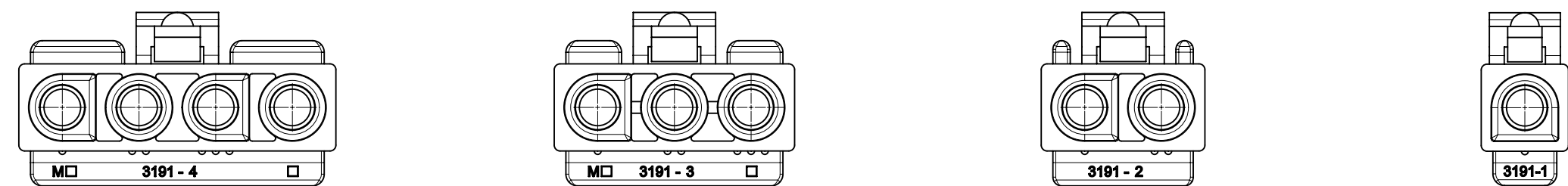
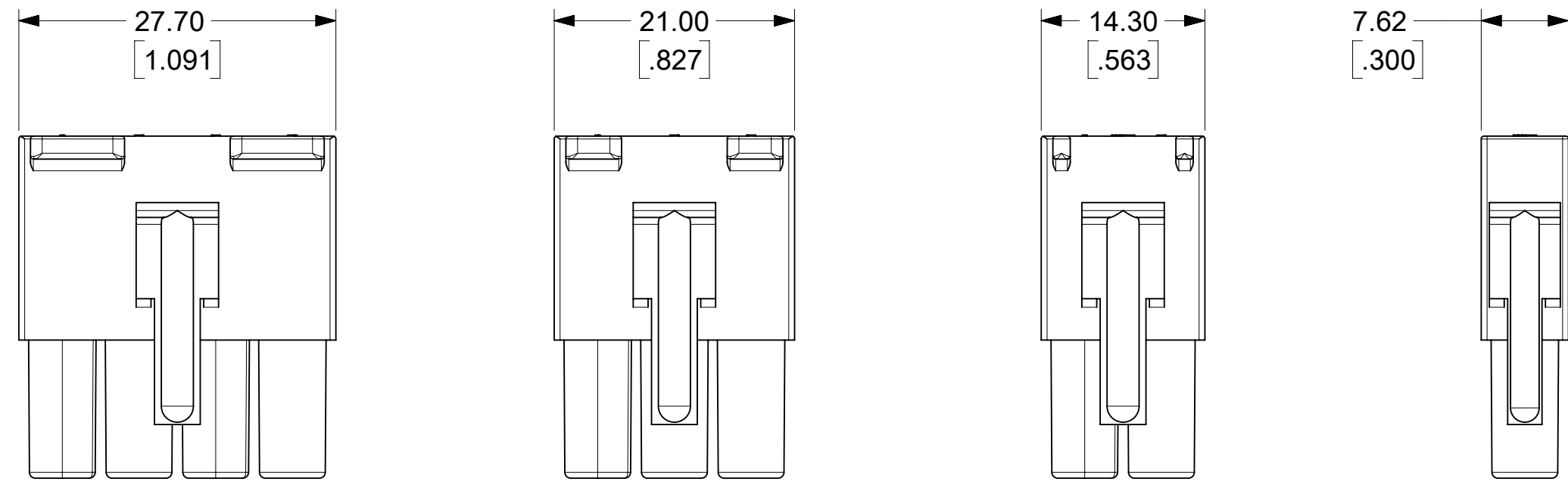
DOCUMENT STATUS	P1	RELEASE DATE	2022/10/14 17:29:15
-----------------	----	--------------	---------------------



RECEPTACLE



FUNCTIONAL SYMBOLS	THIS DRAWING CONTAINS INFORMATION THAT IS PROPRIETARY TO MOLEX ELECTRONIC TECHNOLOGIES, LLC AND SHOULD NOT BE USED WITHOUT WRITTEN PERMISSION				
	DIMENSION UNITS	SCALE		CURRENT REV DESC: RELEASED	
$\frac{F}{A} = 0$	MM/INCH	4:1		EC NO: 643927 DRWN: MKIPPER 2020/06/02 CHK'D: MKIPPER 2022/10/12 APPR: FSMITH 2022/10/14	
$\frac{F}{C} = 0$	GENERAL TOLERANCES (UNLESS SPECIFIED)				
DIVISIONAL SYMBOLS		MM	INCH	INITIAL REVISION: DRWN: MKIPPER 2020/06/02 APPR: FSMITH 2022/10/14	
	4 PLACES	±	±		
	3 PLACES	±	± 0.01		
	2 PLACES	± 0.25	± 0.015		
	1 PLACE	± 0.38	±	DOCUMENT NUMBER 31910000-SD DOC TYPE PSD DOC PART 000 REVISION A	
	0 PLACES	±	±		
	ANGULAR TOL	±	°	MATERIAL NUMBER SEE CHARTS	
DRAFT WHERE APPLICABLE MUST REMAIN WITHIN DIMENSIONS		THIRD ANGLE PROJECTION	DRAWING C-SIZE	SERIES 3191	CUSTOMER GENERAL MARKET
					SHEET NUMBER 3 OF 4

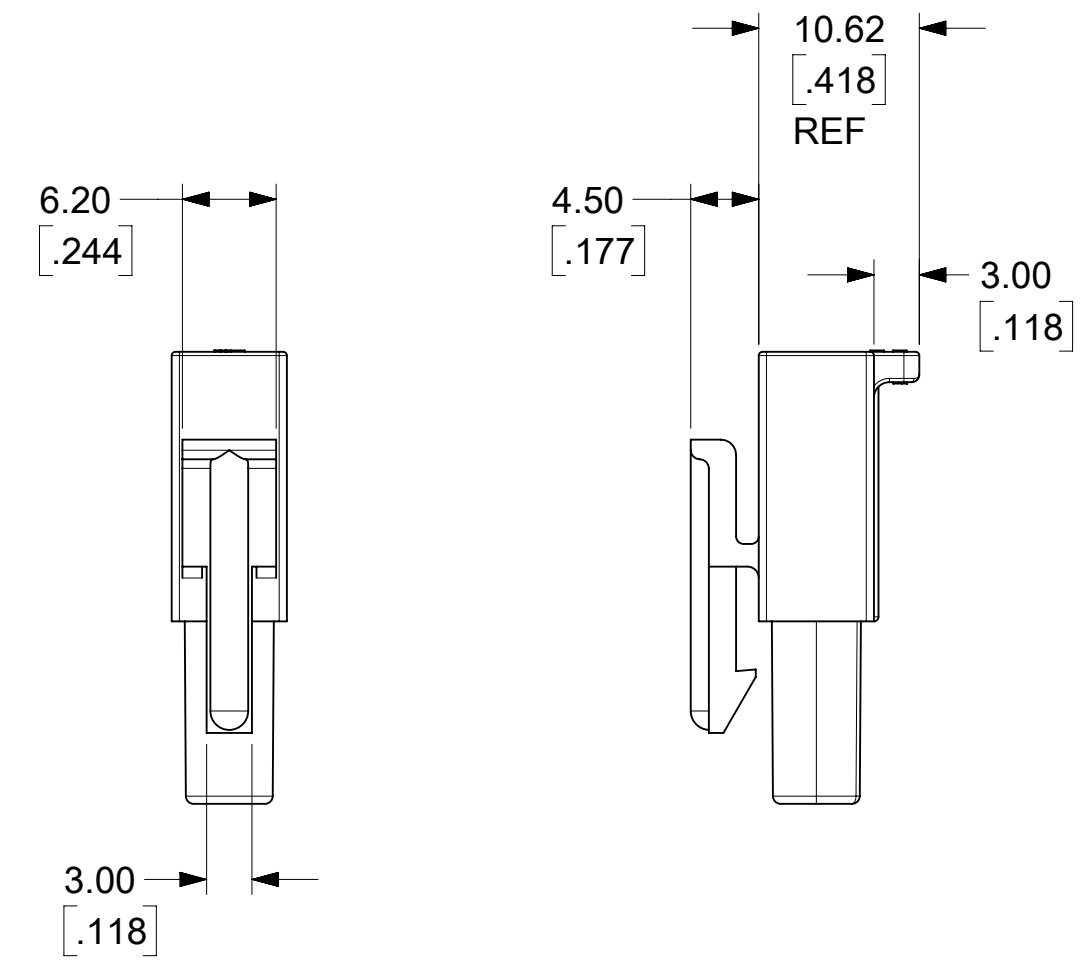


RECEPTACLE POLARIZATION

- NOTES:
1. MATERIAL: NYLON TYPE 6/6. SEE CHART FOR COLOR AND UL94 RATING.
 2. FINISH: NONE
 3. PRODUCT SPECIFICATION PS-02-09
 4. PACKAGING SPECIFICATION: SEE CHART
 5. PARTS CONFORM TO CLASS B REQUIREMENTS OF COSMETIC SPECIFICATION PS-45499-002.

THIS DRAWING REPLACES
 SD-3191-1X AND SD-3191-1*
 SD-3191-2X AND SD-3191-2*
 SD-3191-3X AND SD-3191-3*
 SD-3191-4X AND SD-3191-4*

CIRCUITS	PART NO.	ENG. NO.	MATERIAL	COLOR	PACKAGING	MOUNTING EARS
1	19-09-1019	3191-1R1	UL94V-2	NATURAL	31910002-PK	MOUNTING EARS NOT AVAILABLE ON RECEPTACLES
	19-09-1016	3191-1R1-201	UL94V-0	IVORY	31910002-PK	
	19-09-6011	3191-1R1BU	UL94V-2	BLUE	TBD	
2	19-09-1029	3191-2R1	UL94V-2	NATURAL	31910002-PK	
	19-09-1026	3191-2R1-201	UL94V-0	IVORY	31910002-PK	
3	19-09-1039	3191-3R1	UL94V-2	NATURAL	31910001-PK	
	19-09-1036	3191-3R1-201	UL94V-0	IVORY	31910002-PK	
	19-09-5039	3191-3R1-2	UL94V-0	WHITE	31910001-PK	
4	19-09-1049	3191-4R1	UL94V-2	NATURAL	31910001-PK	
	19-09-1046	3191-4R1-201	UL94V-0	IVORY	31910002-PK	



THESE DIMENSIONS APPLY TO 1 CIRCUIT RECEPTACLES ONLY

FUNCTIONAL SYMBOLS $\frac{F}{A} = 0$ $\frac{F}{C} = 0$ $\frac{F}{P} = 0$ DIVISIONAL SYMBOLS	THIS DRAWING CONTAINS INFORMATION THAT IS PROPRIETARY TO MOLEX ELECTRONIC TECHNOLOGIES, LLC AND SHOULD NOT BE USED WITHOUT WRITTEN PERMISSION		CURRENT REV DESC: RELEASED																					
	DIMENSION UNITS: MM/INCH SCALE: 2:1		EC NO: 643927 DRWN: MKIPPER CHK'D: MKIPPER APPR: FSMITH																					
	GENERAL TOLERANCES (UNLESS SPECIFIED)		2020/06/02 2022/10/12 2022/10/14																					
	<table border="1"> <thead> <tr> <th></th> <th>MM</th> <th>INCH</th> </tr> </thead> <tbody> <tr> <td>4 PLACES</td> <td>±</td> <td>±</td> </tr> <tr> <td>3 PLACES</td> <td>±</td> <td>± 0.01</td> </tr> <tr> <td>2 PLACES</td> <td>± 0.25</td> <td>± 0.015</td> </tr> <tr> <td>1 PLACE</td> <td>± 0.38</td> <td>±</td> </tr> <tr> <td>0 PLACES</td> <td>±</td> <td>±</td> </tr> <tr> <td>ANGULAR TOL</td> <td>±</td> <td>°</td> </tr> </tbody> </table>			MM	INCH	4 PLACES	±	±	3 PLACES	±	± 0.01	2 PLACES	± 0.25	± 0.015	1 PLACE	± 0.38	±	0 PLACES	±	±	ANGULAR TOL	±	°	INITIAL REVISION: DRWN: MKIPPER APPR: FSMITH 2020/06/02 2022/10/14
	MM	INCH																						
4 PLACES	±	±																						
3 PLACES	±	± 0.01																						
2 PLACES	± 0.25	± 0.015																						
1 PLACE	± 0.38	±																						
0 PLACES	±	±																						
ANGULAR TOL	±	°																						
DRAFT WHERE APPLICABLE MUST REMAIN WITHIN DIMENSIONS		THIRD ANGLE PROJECTION 	DRAWING: C-SIZE	SERIES: 3191																				
DOCUMENT STATUS: P1 RELEASE DATE: 2022/10/14 17:29:15		molex .093/(2.36) PLUG AND RECEPTACLE HOUSINGS SINGLE ROW 1-4 CIRCUITS PRODUCT CUSTOMER DRAWING		DOCUMENT NUMBER: 31910000-SD DOC TYPE: PSD DOC PART: 000 REVISION: A																				
MATERIAL NUMBER: SEE CHARTS CUSTOMER: GENERAL MARKET		SHEET NUMBER: 4 OF 4																						