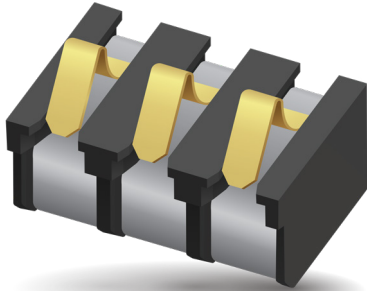


# BATTERY CONNECTORS

## Reduced 2.5mm Pitch 9155-250



### GENERAL DESCRIPTION

AVX Interconnect extends their range of board-to-board reduced battery connectors. This new version 9155-250 has a nominal working height of 4.5mm compared with the existing 9155-200 which has a nominal working height of 3mm. These connectors are rated at a full 3 Amps per contact on 2.5mm centers. This series includes 2 through 5 position connectors that are end to end stackable.

The complete family of connectors 9155 series from AVX offer all the same advantages: Ultra reliable and robust gold plated beryllium copper contacts provide high integrity connections in harsh environments, with 5000 mating operations, high temperature nylon plastic for RoHS soldering. Additionally, 9155-250 is made from halogen free nylon.

### APPLICATIONS

- Handheld/portable devices requiring docking or cradle charging
- Patient monitoring or portable medical electronics
- Industrial devices requiring pluggable or programming modules
- Internet appliances requiring battery back-up

### FEATURES AND BENEFITS

- Insulator height 3.6mm
- Gold plated BeCu contacts provide high electrical and mechanical performance over 5000 mating cycles
- Halogen free high temperature nylon plastic, UL94V-0 rated
- End-to-end stackable

### ELECTRICAL

- Current Rating: 3 Amp/Contact
- Voltage Rating: 125 VAC

### ENVIRONMENTAL

- Operating Temperature: -40°C to +125°C

### MECHANICAL

- Insulator Material: High Temperature Halogen Free Plastic to UL94V-0 rated
- Contact Material: Beryllium Copper
- Plating: Gold on Nose, Pure Tin SMT terminations over base Nickel
- Durability: 5000 Cycles



### HOW TO ORDER

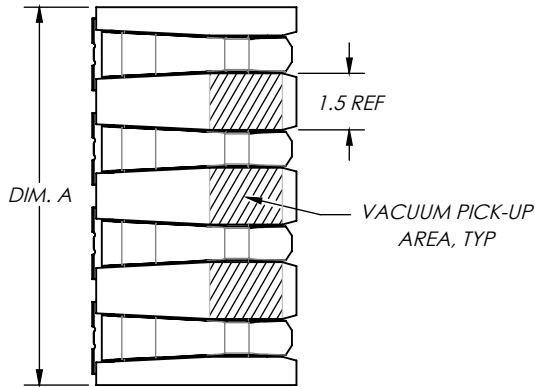
<b>00</b>	<b>9155</b>	<b>00X</b>
Prefix	Series	No. of Ways
		2 = 002
		3 = 003
		4 = 004
		5 = 005

<b>251</b>				
Reduced Size Battery Connector				
<table border="1" style="width: 100%;"><thead><tr><th>Code</th><th>Description</th></tr></thead><tbody><tr><td>251</td><td>Reduced 2.5mm Size Battery Connector</td></tr></tbody></table>	Code	Description	251	Reduced 2.5mm Size Battery Connector
Code	Description			
251	Reduced 2.5mm Size Battery Connector			

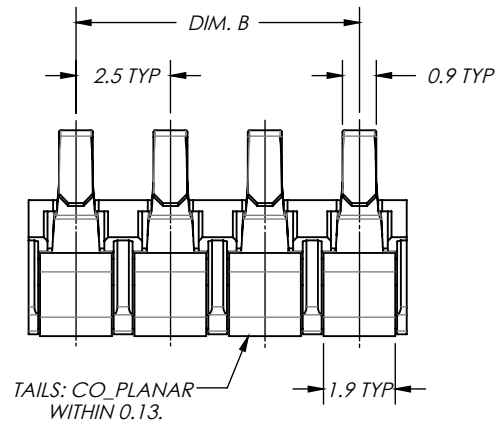
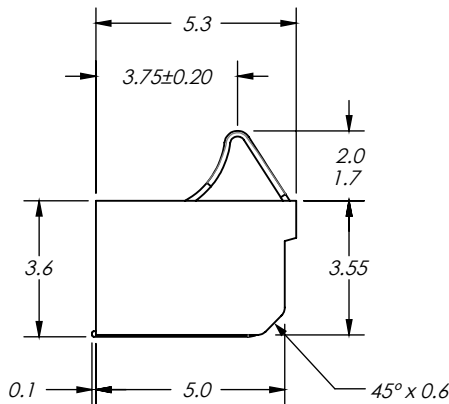
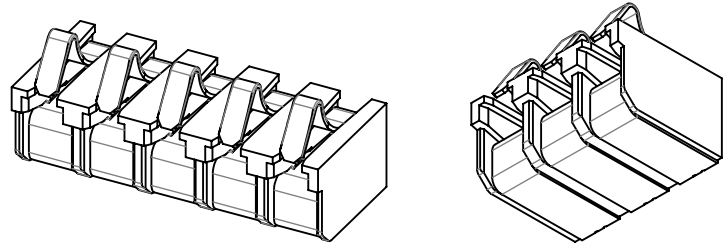
<b>00X</b>				
Plating Option				
<table border="1" style="width: 100%;"><thead><tr><th>Code</th><th>Description</th></tr></thead><tbody><tr><td>006</td><td>0.4µm Selective Gold, Standard</td></tr></tbody></table>	Code	Description	006	0.4µm Selective Gold, Standard
Code	Description			
006	0.4µm Selective Gold, Standard			

# BATTERY CONNECTORS

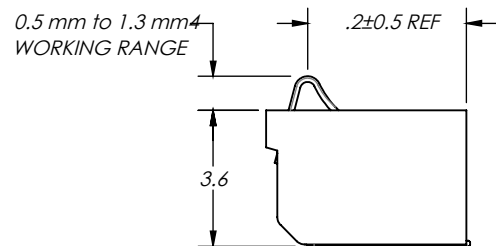
## Reduced 2.5mm Pitch 9155-250



### 3 AND 5 POSITION PARTS



Part Number	Positions	DIM. A	DIM. B	Tape Width
00-9155-002-251-006	2	5.00	2.50	16.0
00-9155-003-251-006	3	7.50	5.00	16.0
00-9155-004-251-006	4	10.00	7.50	24.0
00-9155-005-251-006	5	12.50	10.00	24.0



### PART AS DEFLECTED

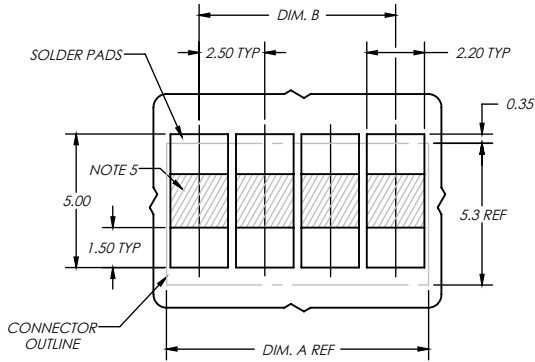
#### NOTES:

- FOR MORE DETAILED INFORMATION, SEE AVX PRODUCT SPECIFICATION #201-01-093.
- HOUSING MATERIAL: GLASS-FILLED STANYL 4T; FLAME RETARDANT PER UL94V-0; HALOGEN FREE, COLOR: BLACK.
- CONTACT MATERIAL: BERYLLIUM-COPPER.
- CONTACT PLATING: NICKEL UNDERPLATE ALL OVER; 0.4 μ-m MIN. GOLD IN CONTACT AREA; LEAD-FREE TIN ON TAILS.
- 2.20 x 5.00 SOLDER PADS MAY BE CONTINUOUS, OR THE SHADED PORTION MAY BE REMOVED—AT CUSTOMER'S DISCRETION.

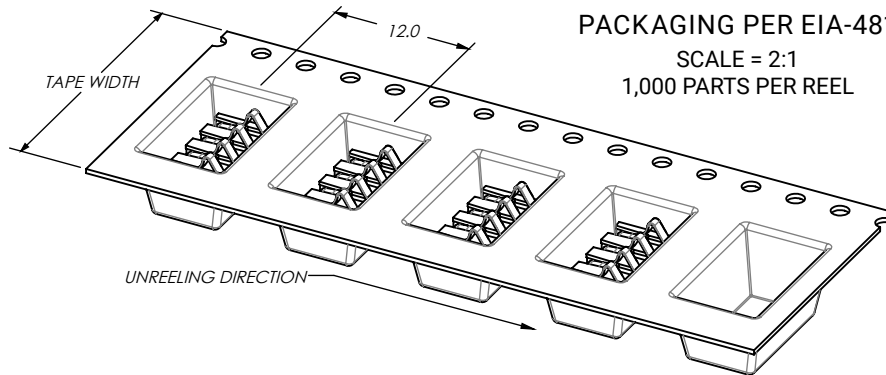
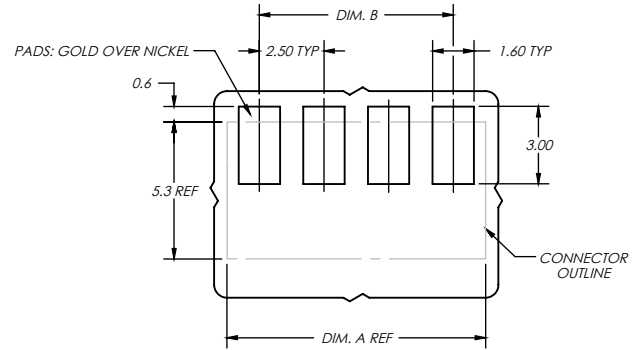
# BATTERY CONNECTORS

## Reduced 2.5mm Pitch 9155-250

RECOMMENDED LAYOUT  
SOLDER SIDE PCB



RECOMMENDED LAYOUT  
MATING SIDE PCB



Part Number	Positions	DIM. A	DIM. B	Tape Width
00-9155-002-251-006	2	5.00	2.50	16.0
00-9155-003-251-006	3	7.50	5.00	16.0
00-9155-004-251-006	4	10.00	7.50	24.0
00-9155-005-251-006	5	12.50	10.00	24.0

### NOTES:

- FOR MORE DETAILED INFORMATION, SEE AVX PRODUCT SPECIFICATION #201-01-093.
- HOUSING MATERIAL: GLASS-FILLED STANYL 4T; FLAME RETARDANT PER UL94V-0; HALOGEN FREE, COLOR: BLACK.
- CONTACT MATERIAL: BERYLLIUM-COPPER.
- CONTACT PLATING: NICKEL UNDERPLATE ALL OVER; 0.4  $\mu$ -m MIN. GOLD IN CONTACT AREA; LEAD-FREE TIN ON TAILS.
- 2.20 x 5.00 SOLDER PADS MAY BE CONTINUOUS, OR THE SHADED PORTION MAY BE REMOVED—AT CUSTOMER'S DISCRETION.