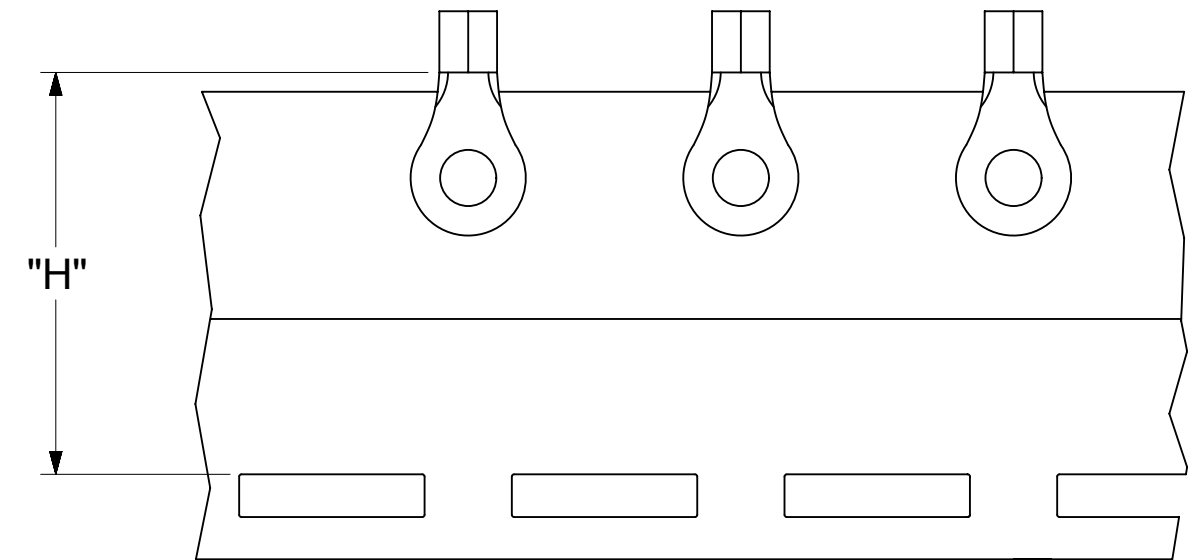
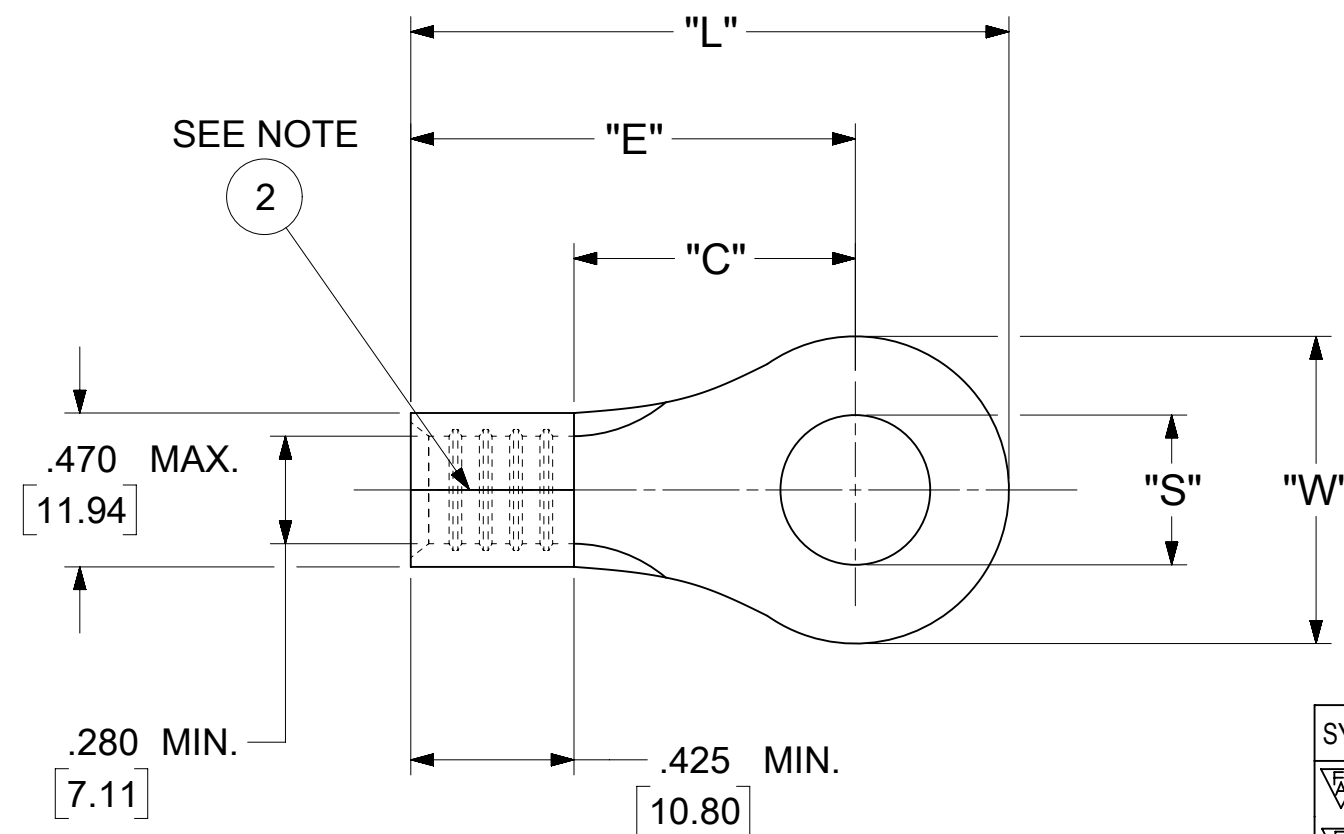


LOOSE PIECE		TAPE MOUNTED		SPECIFICATIONS						
MATERIAL NUMBER	ENGINEERING NUMBER	MATERIAL NUMBER	ENGINEERING NUMBER	STUD SIZE	"S" ±.005 [0.13]	"W"	"C" MIN.	"E" MAX.	"L" MAX.	"H"
191930254	F-366-10	---	---	10	.198 [5.03]	.665±.013 [16.89±0.33]	.520 [13.21]	1.028 [26.11]	1.385 [35.18]	1.172 [29.77]
191930258	F-366-12	---	---	12	.515 [13.08]					
191930261	F-366-14	191930263	F-366-14T	14	.265 [6.73]					
191930264	F-366-38	191930266	F-366-38T	38	.390 [9.91]					
191930267	F-366-56	191930269	F-366-56T	56	.328 [8.33]					
191930270	F-366-76	---	---	76	.453 [11.51]					
191930273	F-367-10	191930274	F-367-10T	10	.198 [5.03]	.475±.010 [12.06±0.25]	.520 [13.21]	1.028 [26.11]	1.288 [32.72]	1.172 [29.77]
191930275	F-367-14	191930277	F-367-14T	14	.265 [6.73]					
191930278	F-367-56	---	---	56	.328 [8.33]					
191930281	F-369-12	---	---	12	.515 [13.08]	.885±.010 [22.48±0.25]	.989 [25.12]	1.497 [38.02]	1.970 [50.04]	---
191930282	F-369-14	---	---	14	.265 [6.73]					
191930283	F-369-38	---	---	38	.390 [9.91]					
191930284	F-369-56	---	---	56	.328 [8.33]					
191930285	F-369-58	---	---	58	.656 [16.66]					
191930286	F-369-76	---	---	76	.453 [11.51]					
191930287	F-370-12	---	---	12	.515 [13.08]	1.260±.010 [32.00±0.25]	.989 [25.12]	1.497 [38.02]	2.158 [54.81]	---
191930288	F-370-14	---	---	14	.265 [6.73]					
191930289	F-370-34	---	---	34	.781 [19.84]					
191930291	F-370-38	---	---	38	.390 [9.91]					
191930292	F-370-56	---	---	56	.328 [8.33]					
191930293	F-370-58	---	---	58	.656 [16.66]					
191930294	F-370-76	---	---	76	.453 [11.51]					

- NOTES:
- MATERIAL: COPPER
PLATING: ELECTRO-TIN (.0003 MIN).
 - BRAZED SEAM
 - WIRE SIZE: 4 AWG
25 MM²
 - "UL" LISTING #E32244
"CSA" LISTING #18689
 - ALL DIMENSIONS IN INCHES/[MM].
 - PARTS ARE ROHS COMPLIANT.
 - DIMS. SHOWN ARE FOR REFERENCE ONLY.



PARTS ON TAPE

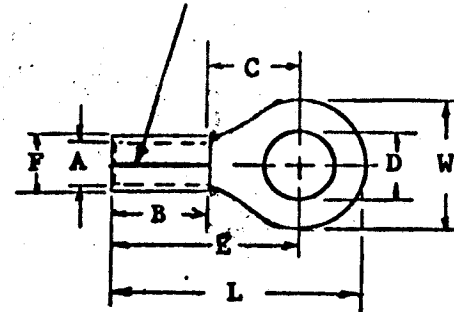
SYMBOLS DIMENSION UNITS: INCH/MM SCALE: NTS CURRENT REV DESC: MIGRATION TO ECTR/NX EC NO: 620820 DRWN: ABENJAMINLW 2019/07/09 CHK'D: GROJAS01 2019/07/17 APPR: JMACNEIL 2019/08/06 INITIAL REVISION: DRWN: LEM 1970/03/02 APPR: JMACNEIL 2019/08/06 ANGULAR TOL ± 0.5° DRAFT WHERE APPLICABLE MUST REMAIN WITHIN DIMENSIONS THIRD ANGLE PROJECTION DRAWING SERIES: C-SIZE 19193	THIS DRAWING CONTAINS INFORMATION THAT IS PROPRIETARY TO MOLEX ELECTRONIC TECHNOLOGIES, LLC AND SHOULD NOT BE USED WITHOUT WRITTEN PERMISSION		
	molex RING TONGUE TERMINAL VERSAKRIMP		
	PRODUCT CUSTOMER DRAWING DOCUMENT NUMBER: 191930254 DOC TYPE: PSD DOC PART: 000 REVISION: A		
	MATERIAL NUMBER: SEE TABLE CUSTOMER: GENERAL MARKET SHEET NUMBER: 1 OF 1		

MATERIAL: Copper
 PLATING: Electro-Tin
 STUD SIZE: "D" $\pm .005$

- 10 - .198
- 14 - .265
- 56 - .328
- 38 - .390
- 76 - .453
- 12 - .515
- 58 - .656
- 34 - .781
- 209 = .209
- 413 = .413

VERSAKRIMP

BRAZE SEAM



Customer Dimensions

Part No.	Wire Size	"W"	"C" Min	"E" Max	"B" Min	"L" Max	"A" Min	Stock Thkns. (A)	"F" Max	AVAILABLE STUD SIZE
F-366-	#4	$\frac{.652}{.678}$.520	1.028	.425	1.385	.280	REF. .075	.470	209, 413 10, 14, 56, 38, 76, 12,
F-367-	#4	$\frac{.465}{.485}$.520	1.028	.425	1.288	.280	REF. .075	.470	10, 14, 56
F-369-	#4	$\frac{.875}{.895}$.989	1.497	.425	1.970	.280	REF. .075	.470	14, 56, 38, 76, 12, 58
F-370-	#4	$\frac{1.250}{1.270}$.989	1.497	.425	2.158	.280	REF. .075	.470	14, 56, 38, 76, 12, 58, 34

For parts to be on tape add "T" at end of part number.



TITLE: "F" RING TONGUE TERMINAL

DIMENSIONAL TOLERANCE UNLESS OTHERWISE SPECIFIED

FRAC.	DEC.	ANG.
±	±	±

REVISION	SCALE: NONE	DATE
A	DRWN. BY: LEM	3/2/70
	CHKD. BY:	
	APPRD. BY:	
	DRAWING NO.:	

ETC 50245 117 Rev