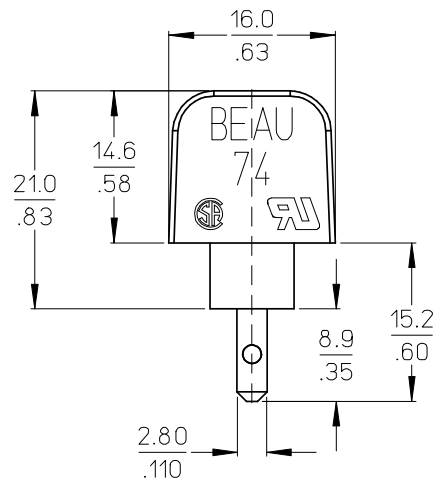
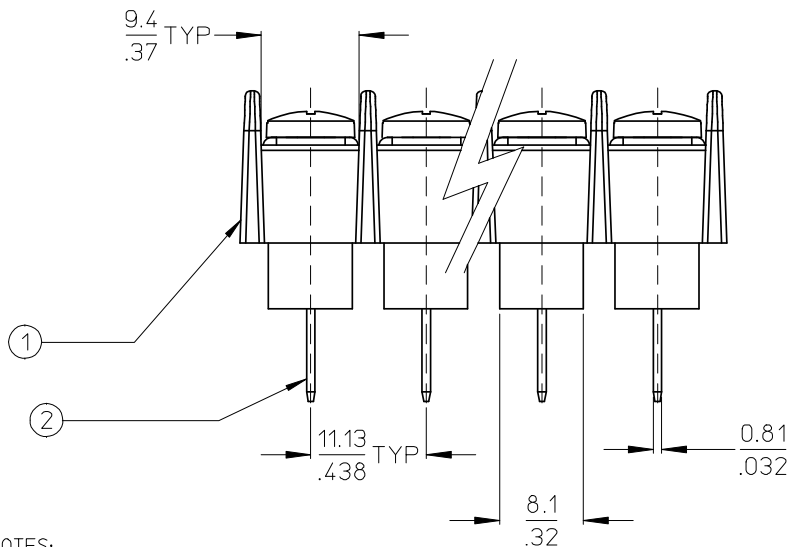


2 CIRCUITS ASSEMBLY SHOWN FOR REFERENCE ONLY



NOTES:

1. MATERIAL: SEE TABLE.
2. FINISHES: SEE TABLE.
3. PRODUCT SPECIFICATION: AS REQUIRED.
4. "XX" REFERS TO THE QUANTITY OF CIRCUITS.
5. ROHS COMPLIANT.

ITEM	QTY.	DESCRIPTION	MATERIAL	FINISH
3	XX	SCREW #8-32X.290 BHD PHS/LNI/BRASS LUBE	BRASS	NICKEL
2	XX	TERM FT 8-32 SN/B	BRASS	TIN
1	1	SR BTS INSULATOR, NO MTG.	THERMOPLASTIC	BLACK

INITIAL RELEASE
 EC NO: WNA2008-0126
 DRWN: JENC INAS 2008/03/20
 CH'KD: CYORK 2008/04/10
 APPR: JMACNEIL 2008/04/16

QUALITY SYMBOLS
 ▼=0
 ▽=0

GENERAL TOLERANCES (UNLESS SPECIFIED)	
	MM/IN
4 PLACES	± --- ± ---
3 PLACES	± --- ± .005
2 PLACES	± 0.13 ± .01
1 PLACE	± 0.3 ± ---
ANGULAR ± 2 °	

DRAFT WHERE APPLICABLE MUST REMAIN WITHIN DIMENSIONS

DIMENSION STYLE	
MM/IN	
DRAWN BY	DATE
JENCINAS	2008/03/05
CHECKED BY	DATE
CYORK	2008/03/05
APPROVED BY	DATE
JMACNEIL	2008/03/05
MATERIAL NO.	
SEE CHART	

SCALE	DESIGN UNITS	THIRD ANGLE PROJECTION	TITLE
2:1	INCH	☉	11.13/.438 LOW PROFILE BTS OVER SIZE SCREWS .110 TERM, NO MTG ENDS
MOLEX INCORPORATED		SD-38749-014	
DOCUMENT NO.		SHEET NO.	
		1 OF 1	

NUM. OF CIRC. 'XX'	DIM. 'A'	DIM. 'B'	MATERIAL NO.
12	135.7/5.34	122.24/4.813	387490096
16	180.1/7.09	166.69/6.563	387490245