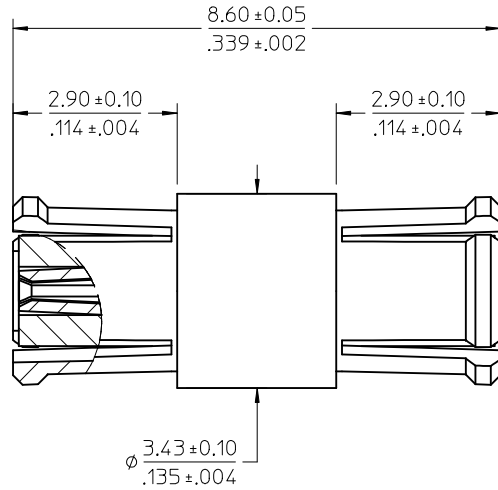
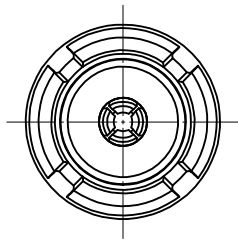
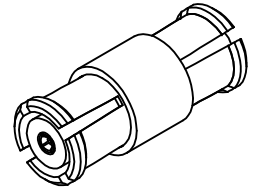


MATERIALS AND FINISHES:

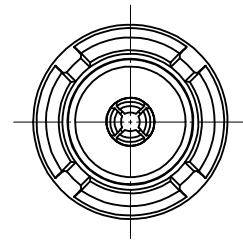
BODY: BERYLLIUM COPPER
PLATED GOLD

CENTER CONTACT: BERYLLIUM COPPER
PLATED GOLD

INSULATOR: TEFLON



MODIFIED SMP JACK
INTERFACE
BOTH ENDS

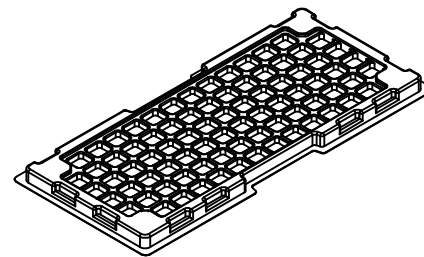


73406-0530	TRAY
PART NO.	PACKAGING

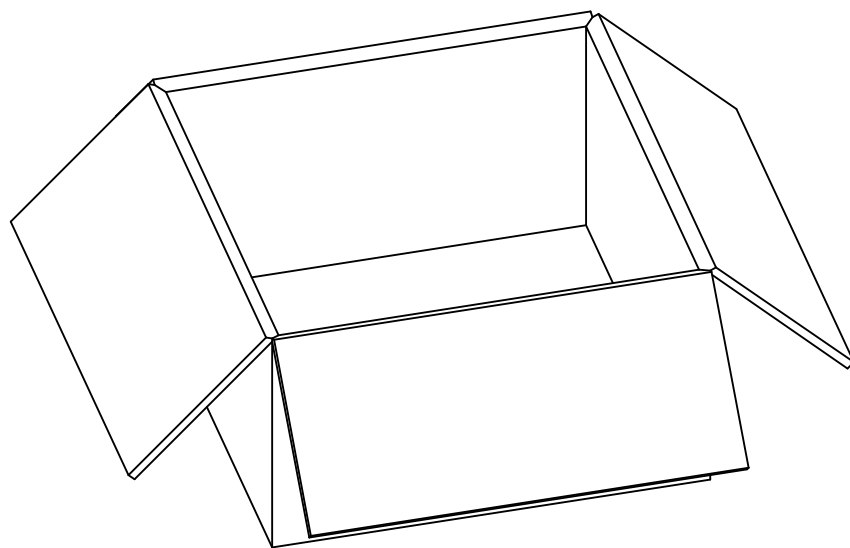
CHG/UPDATED VIEWS FOR BODY PER RF16-E053 EC NO: URF2016-0657 DRW:RYEH 2016/03/31 CHKD: APPR:YCHENG 2016/04/25	QUALITY SYMBOLS	GENERAL TOLERANCES (UNLESS SPECIFIED)	DIMENSION STYLE	SCALE	DESIGN UNITS	THIRD ANGLE PROJECTION
	▽=0	mm INCH	MM/IN	15:1	METRIC	
	▽=0	4 PLACES ± --- ± ---	DRAWN BY DATE	TITLE		
	▽=0	3 PLACES ± --- ± ---	RYEH 2015/10/07	MOD SMP JACK/JACK BULLET FEMALE TO FEMALE SMP-J/J		
	2 PLACES ± --- ± ---	CHECKED BY DATE	molex DOCUMENT NO. SD-73406-053 SHEET NO. 1 OF 2			
	1 PLACE ± --- ± ---	JOANNE LIAO 2015/10/07				
	0 PLACE ± --- ± ---	APPROVED BY DATE	THIS DRAWING CONTAINS INFORMATION THAT IS PROPRIETARY TO MOLEX INCORPORATED AND SHOULD NOT BE USED WITHOUT WRITTEN PERMISSION			
		YCHENG 2015/11/04				
		MATERIAL NO.				
		SEE TABLE				
		ANGULAR ± 2 °				
		DRAFT WHERE APPLICABLE MUST REMAIN WITHIN DIMENSIONS				



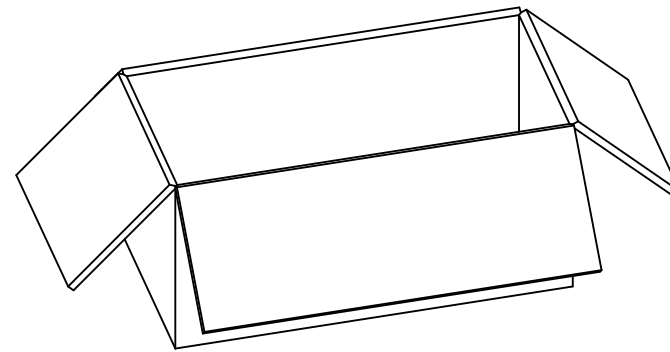
P/N: 73406-0530



80 SETS PER TRAY
P/N: 89707-0190



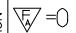
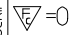
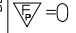
3200 SETS PER OUTER
CARTON BOX
P/N: 96708-0005



1600 SETS PER INNER
CARTON BOX
P/N: 96707-0001

CHG:SEE SHEET 1
EC NO: URF2016-0657
DRAWN:RYEH 2016/03/31
CHKD:
APPR:YCHENG 2016/04/25

REV	DESCRIPTION
0	
1	
2	

QUALITY SYMBOLS
 = 0
 = 0
 = 0

GENERAL TOLERANCES (UNLESS SPECIFIED)

	mm	INCH
4 PLACES	± ---	± ---
3 PLACES	± ---	± ---
2 PLACES	± ---	± ---
1 PLACE	± ---	± ---
0 PLACE	± ---	± ---

ANGULAR ± 2 °

DRAFT WHERE APPLICABLE MUST REMAIN WITHIN DIMENSIONS

DIMENSION STYLE
MM/IN

DRAWN BY DATE
RYEH 2015/10/07

CHECKED BY DATE
JOANNE LIAO 2015/10/07

APPROVED BY DATE
YCHENG 2015/11/04

MATERIAL NO.
SEE TABLE

SCALE
2.5:1

DESIGN UNITS
METRIC

THIRD ANGLE PROJECTION

TITLE
MOD SMP JACK/JACK BULLET
FEMALE TO FEMALE
SMP-J/J

molex

DOCUMENT NO.
SD-73406-053

SHEET NO.
2 OF 2

THIS DRAWING CONTAINS INFORMATION THAT IS PROPRIETARY TO MOLEX INCORPORATED AND SHOULD NOT BE USED WITHOUT WRITTEN PERMISSION