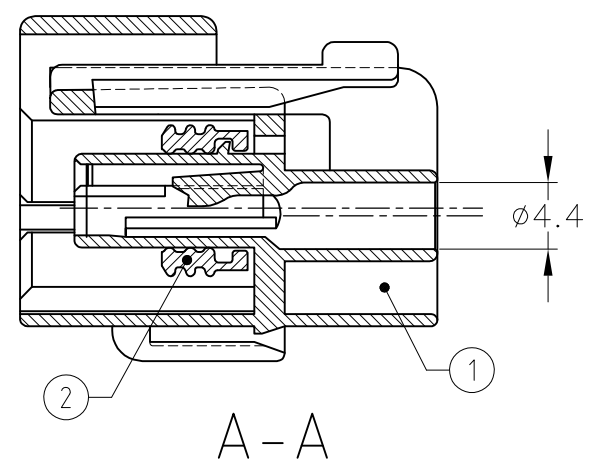
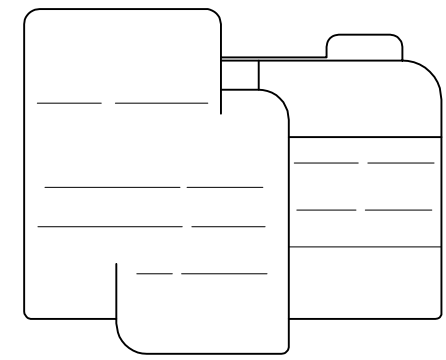
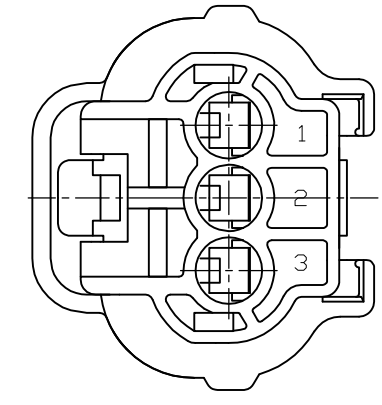
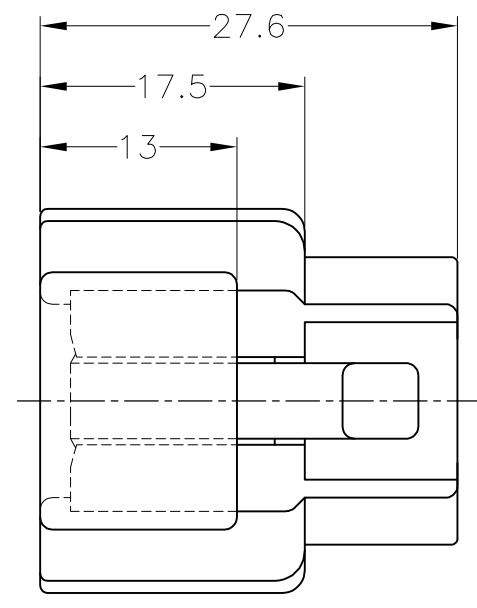
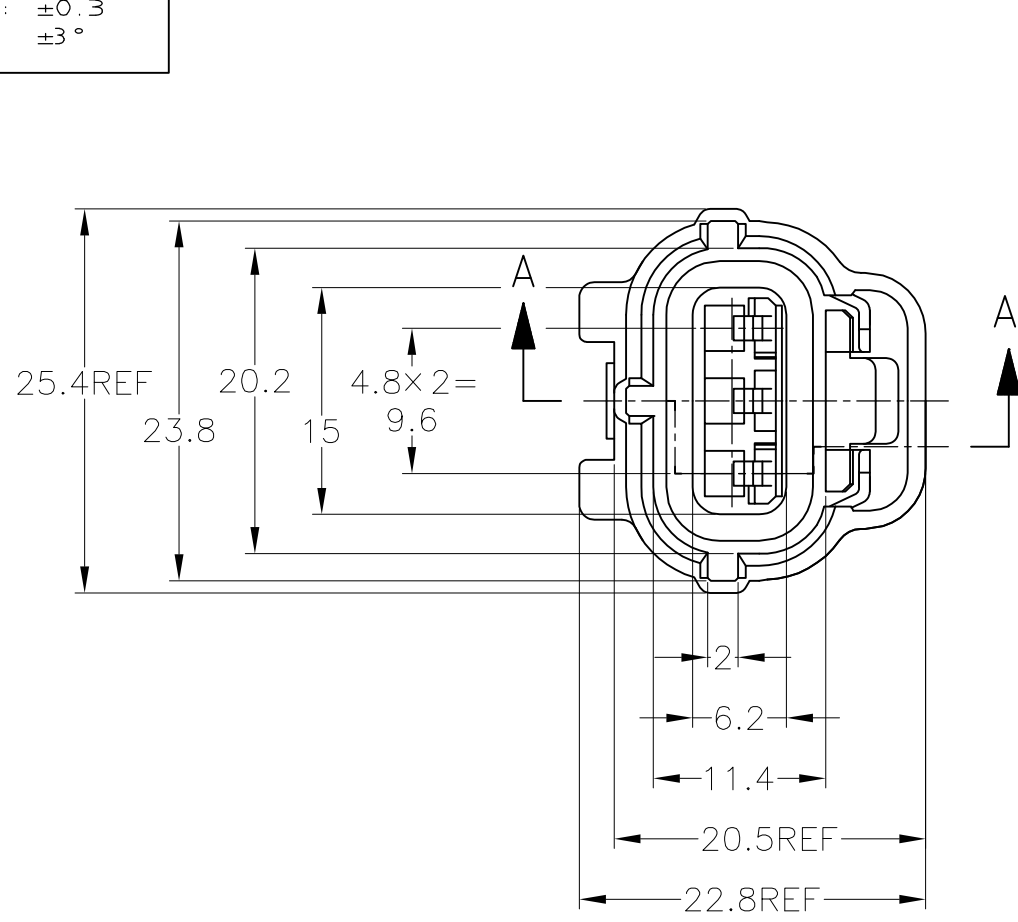


THIS DRAWING IS UNPUBLISHED.      RELEASED FOR PUBLICATION  
 © COPYRIGHT - By -      ALL RIGHTS RESERVED.

LOC	DIST	REVISIONS					
J	-	P	LTR	DESCRIPTION	DATE	DWN	APVD
			C3	REVISED PER ECO-11-005140	28MAR11	RK	HMR

TOLERANCE UNLESS OTHERWISE SPECIFIED:  
 一般公差  
 0 < x ≤ 10 : ±0.2  
 10 < x ≤ 30 : ±0.25  
 30 < x ≤ 100 : ±0.3  
 ANGLE : ±3°  
 角度



1. 嵌合相手型番 : 174359, 173065
2. 本品はプラグハウジング単体にシールリングがアッセンブリされたものである。
3. 本品はダブルロックプレート型番 174358を装着して使用する。

1. FOR CAP HOUSING PN 174359, 173065
2. THIS PART IS COMPOSED OF PLUG HOUSING AND SEAL RING
3. THIS PART MUST BE USED WITH DOUBLE LOCK PLATE PN 174358

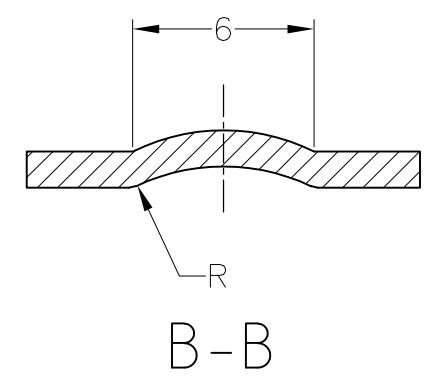
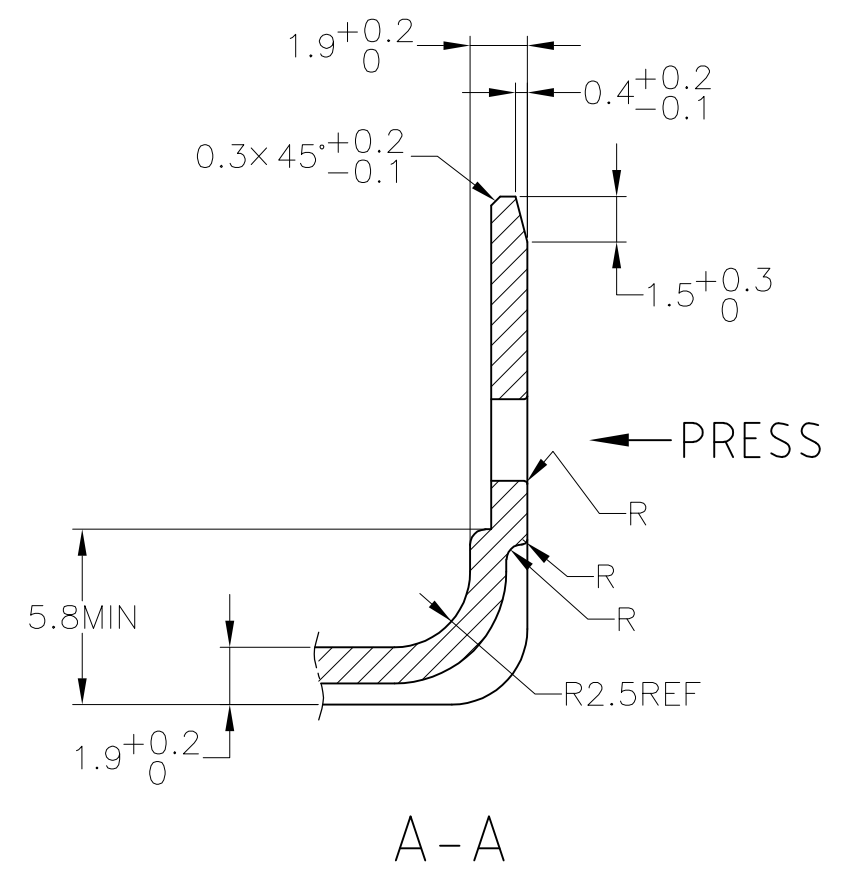
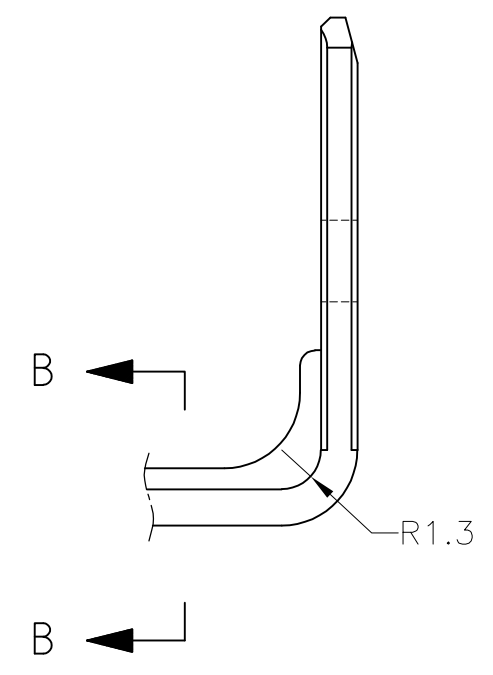
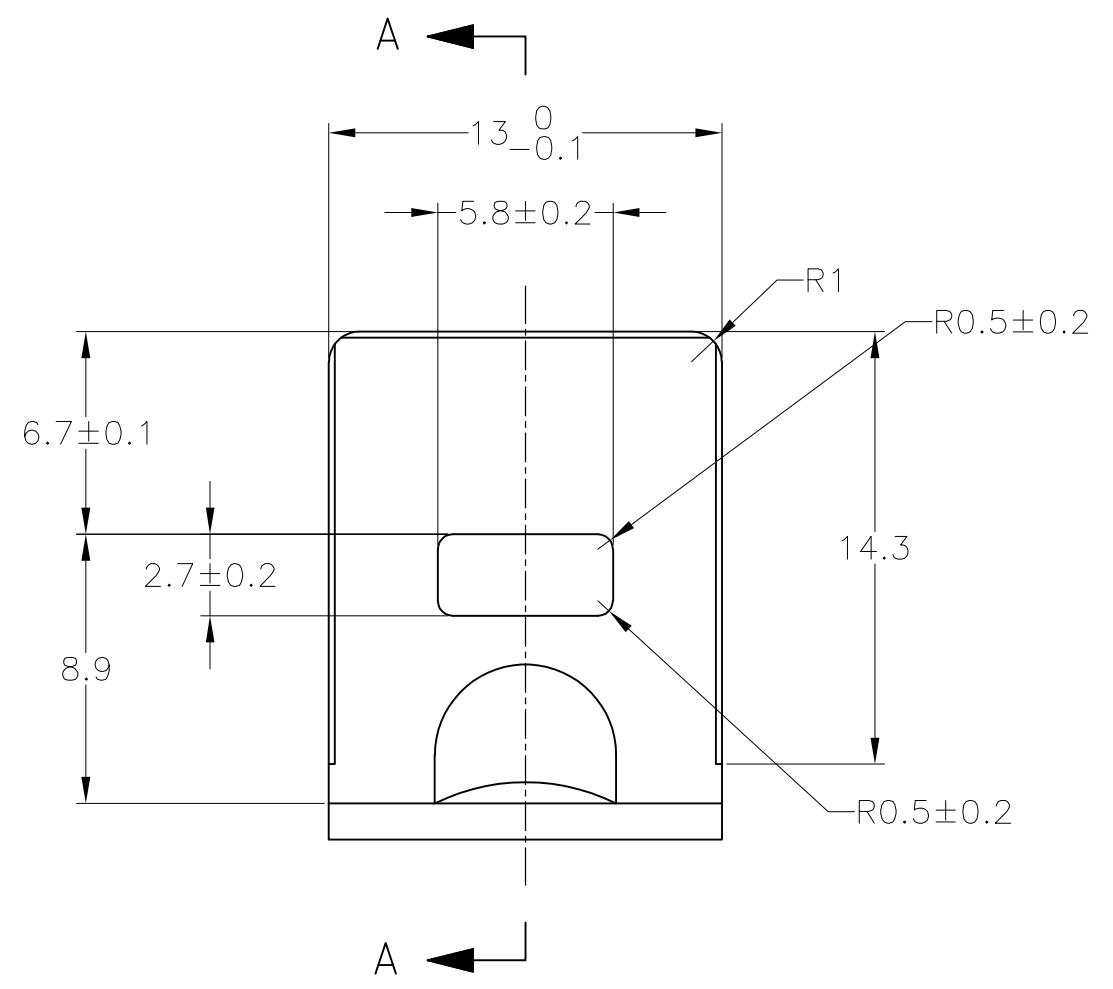
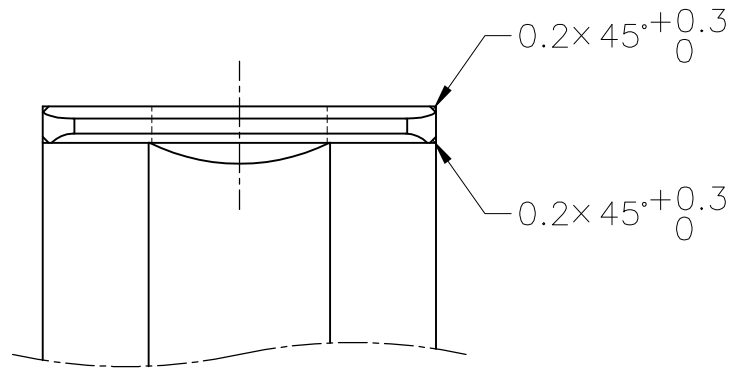
SILICON / GREEN	PBT / BLACK	2-174357-2
SILICON / BROWN	PBT / BLACK	1-174357-2
NBR / BLACK	PBT / GRAY	174357-6
NBR / BLACK	PBT / BLACK	174357-2
② SEAL RING	① PLUG HOUSING	PART NUMBER
MATERIAL / COLOR		

THIS DRAWING IS A CONTROLLED DOCUMENT.		DWN T.SHINOHARA 09FEB04	<b>TE Connectivity</b>		
DIMENSIONS: 単位: 耗 mm		CHK K.BETSUI 09FEB04			
TOLERANCES UNLESS OTHERWISE SPECIFIED: 一般公差		APVD K.BETSUI 09FEB04	NAME 名称 3Pos. ECONOSEAL J-MARKII+ CONNECTOR PLUG HOUSING		
0 PLC ±- 1 PLC ±- 2 PLC ±- 3 PLC ±- 4 PLC ±- ANGLES ±-		PRODUCT SPEC 製品規格 108-5262	SIZE		
MATERIAL 材料 SEE TABLE		APPLICATION SPEC 取付適用規格 114-5082	CAGE CODE A300779	DRAWING NO 番号 C-174357	RESTRICTED TO -
FINISH 仕上 -		WEIGHT 6.15g	SCALE 尺度 2:1		
CUSTOMER DRAWING			SHEET 1 OF 2		REV C3

THIS DRAWING IS UNPUBLISHED. RELEASED FOR PUBLICATION  
 © COPYRIGHT - By - ALL RIGHTS RESERVED.

LOC	DIST	REVISIONS					
J	-	P	LTR	DESCRIPTION	DATE	DWN	APVD
		-		SEE SHEET 1	-	-	-

ブラケット推奨寸法図  
 RECOMMENDED DIMENSION OF BRACKET



TOLERANCE UNLESS OTHERWISE SPECIFIED: 一般公差

0 < x ≤ 10	: ±0.2
10 < x ≤ 30	: ±0.25
30 < x ≤ 100	: ±0.3
ANGLE ; 角度	: ±3°

THIS DRAWING IS A CONTROLLED DOCUMENT.		DWN T.SHINOHARA	09FEB04	TE Connectivity													
DIMENSIONS: 単位: 耗 mm		CHK K.BETSUI	09FEB04														
TOLERANCES UNLESS OTHERWISE SPECIFIED: 一般公差		APVD K.BETSUI	09FEB04	NAME 名称 3Pos. ECONOSEAL J-MARKII+ CONNECTOR PLUG HOUSING													
<table border="1"> <tr> <td>0 PLC</td> <td>± -</td> </tr> <tr> <td>1 PLC</td> <td>± -</td> </tr> <tr> <td>2 PLC</td> <td>± -</td> </tr> <tr> <td>3 PLC</td> <td>± -</td> </tr> <tr> <td>4 PLC</td> <td>± -</td> </tr> <tr> <td>ANGLES</td> <td>± -</td> </tr> </table>		0 PLC	± -	1 PLC	± -	2 PLC	± -	3 PLC	± -	4 PLC	± -	ANGLES	± -	PRODUCT SPEC 製品規格		SIZE A3	
0 PLC	± -																
1 PLC	± -																
2 PLC	± -																
3 PLC	± -																
4 PLC	± -																
ANGLES	± -																
MATERIAL 材料		APPLICATION SPEC 取付適用規格		CAGE CODE 00779	DRAWING NO 番号 C-174357												
FINISH 仕上		WEIGHT		RESTRICTED TO													
CUSTOMER DRAWING				SCALE 尺度 4:1	SHEET 2 OF 2												
				REV C3													