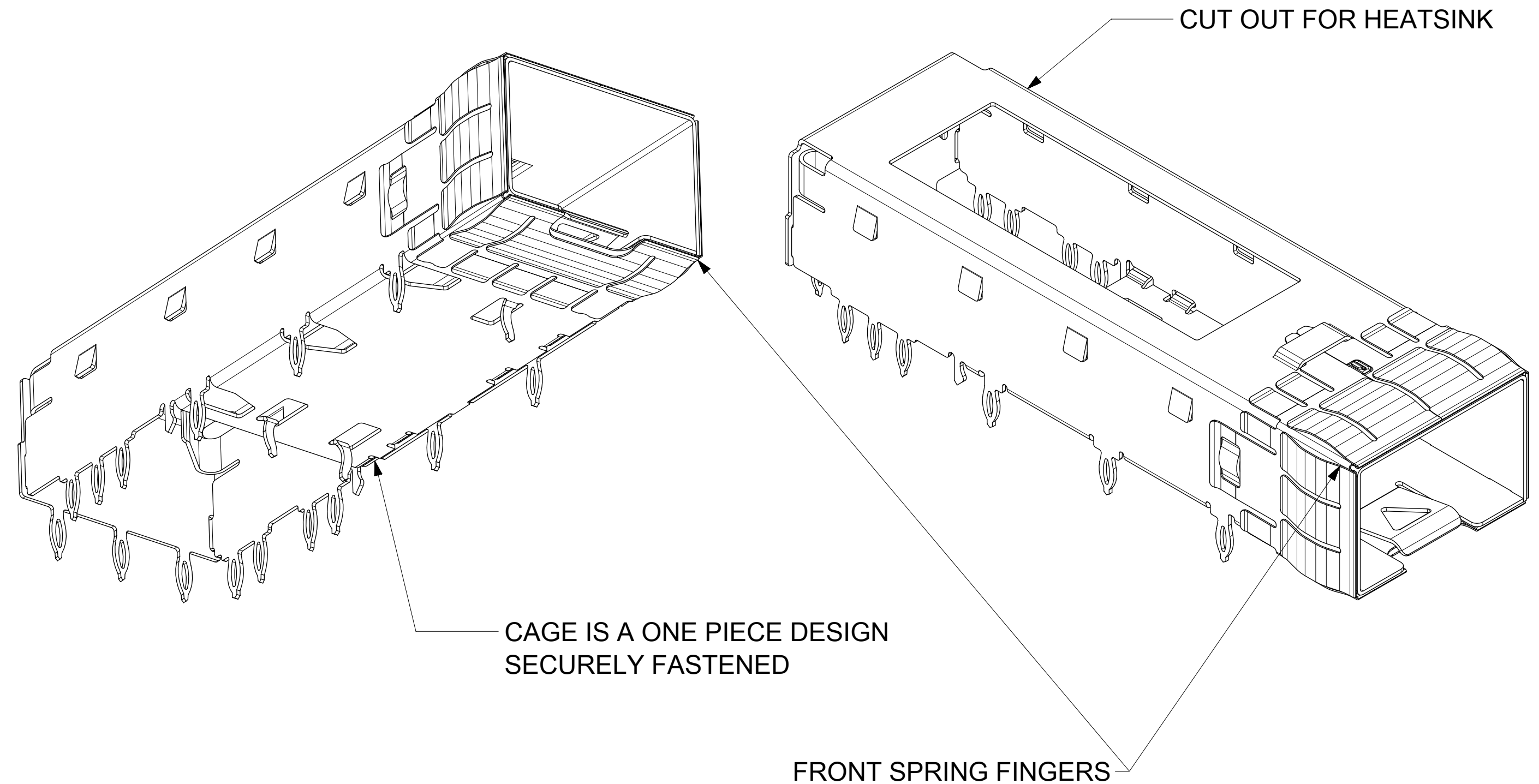
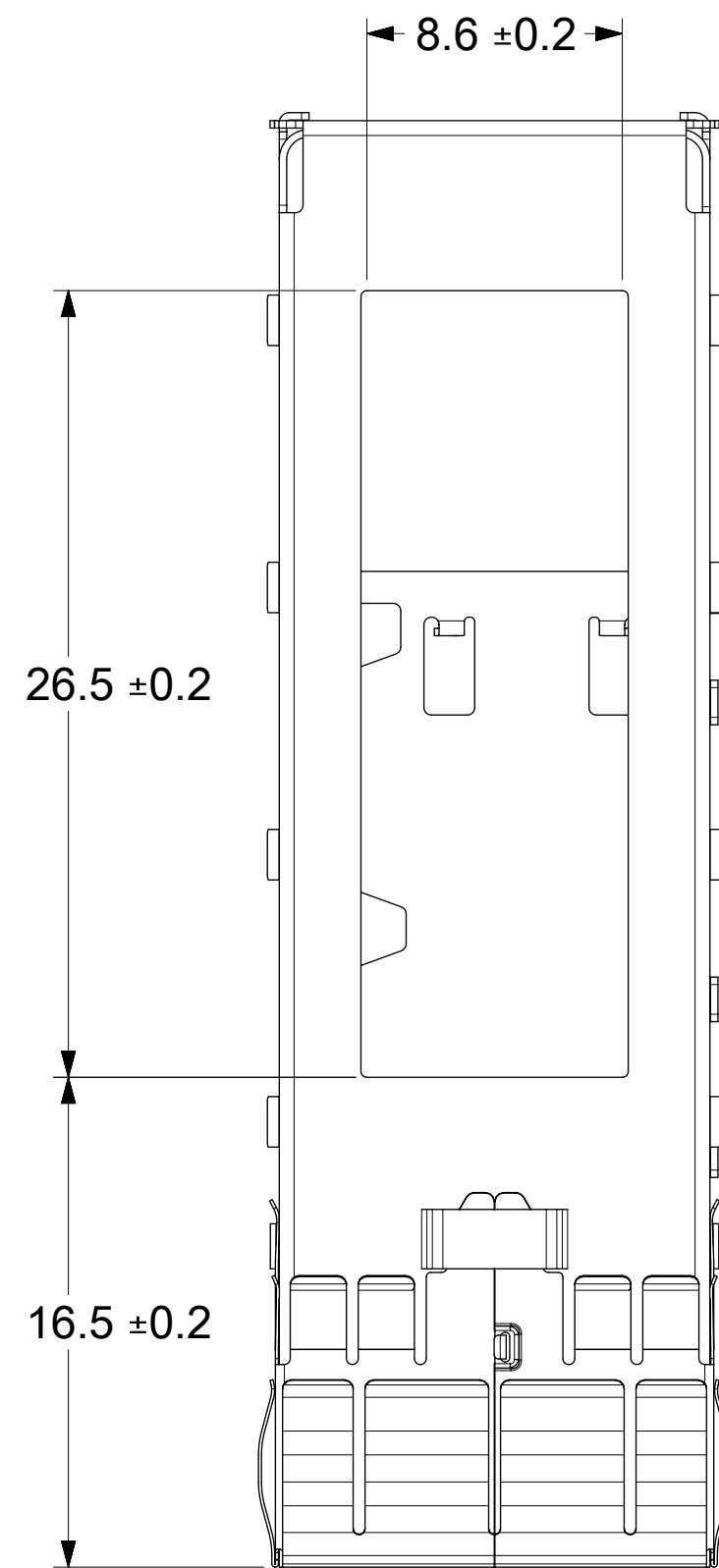
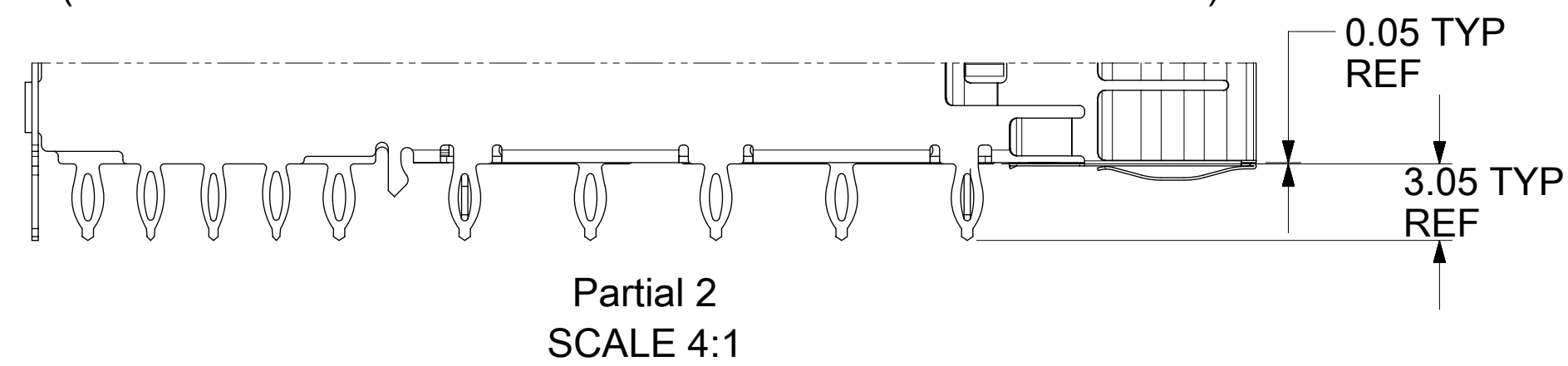


111128101 SHOWN

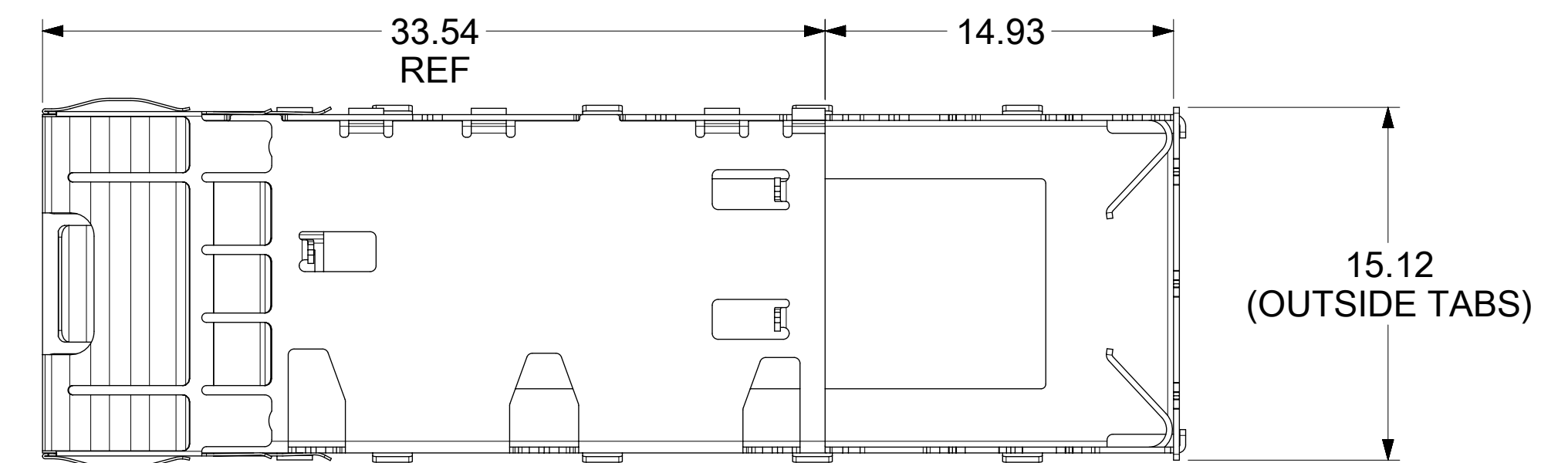
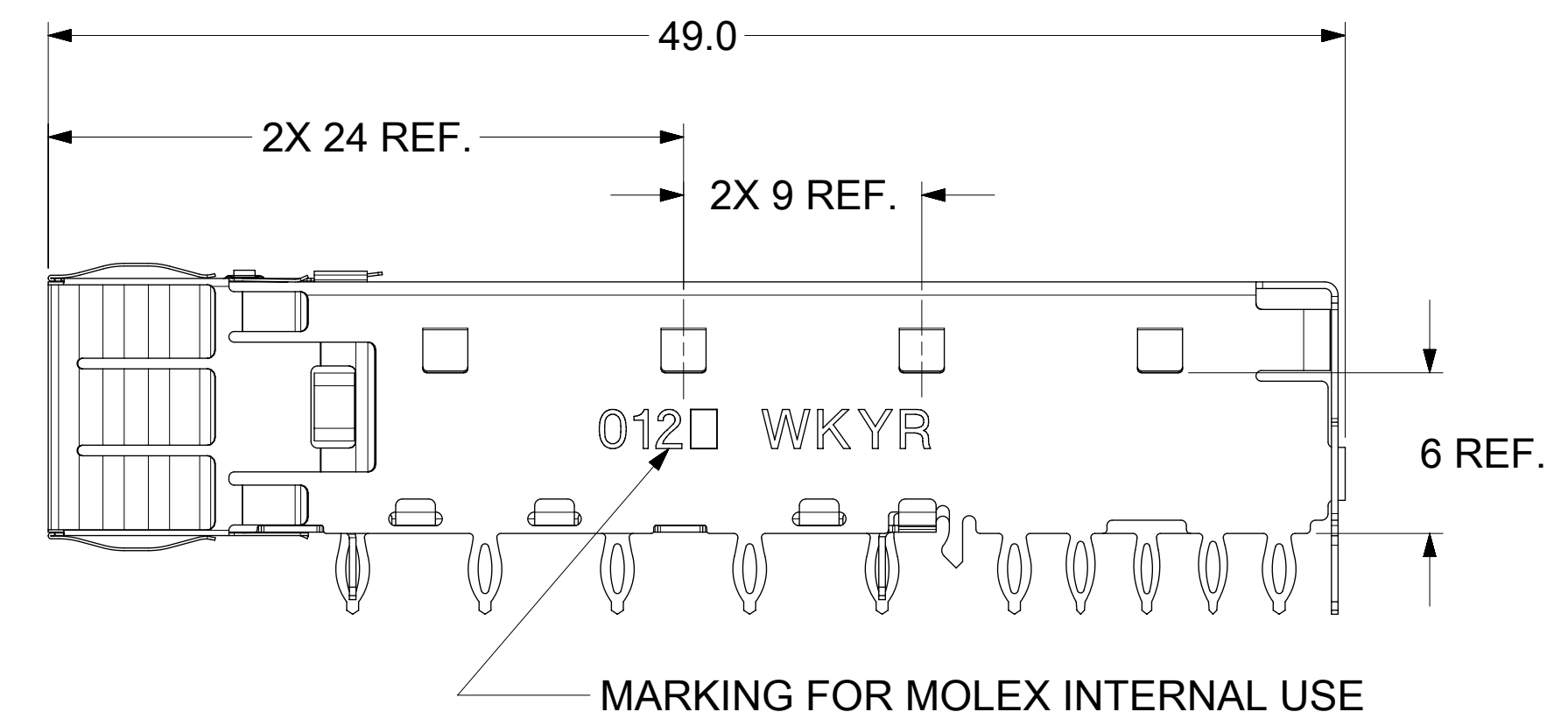
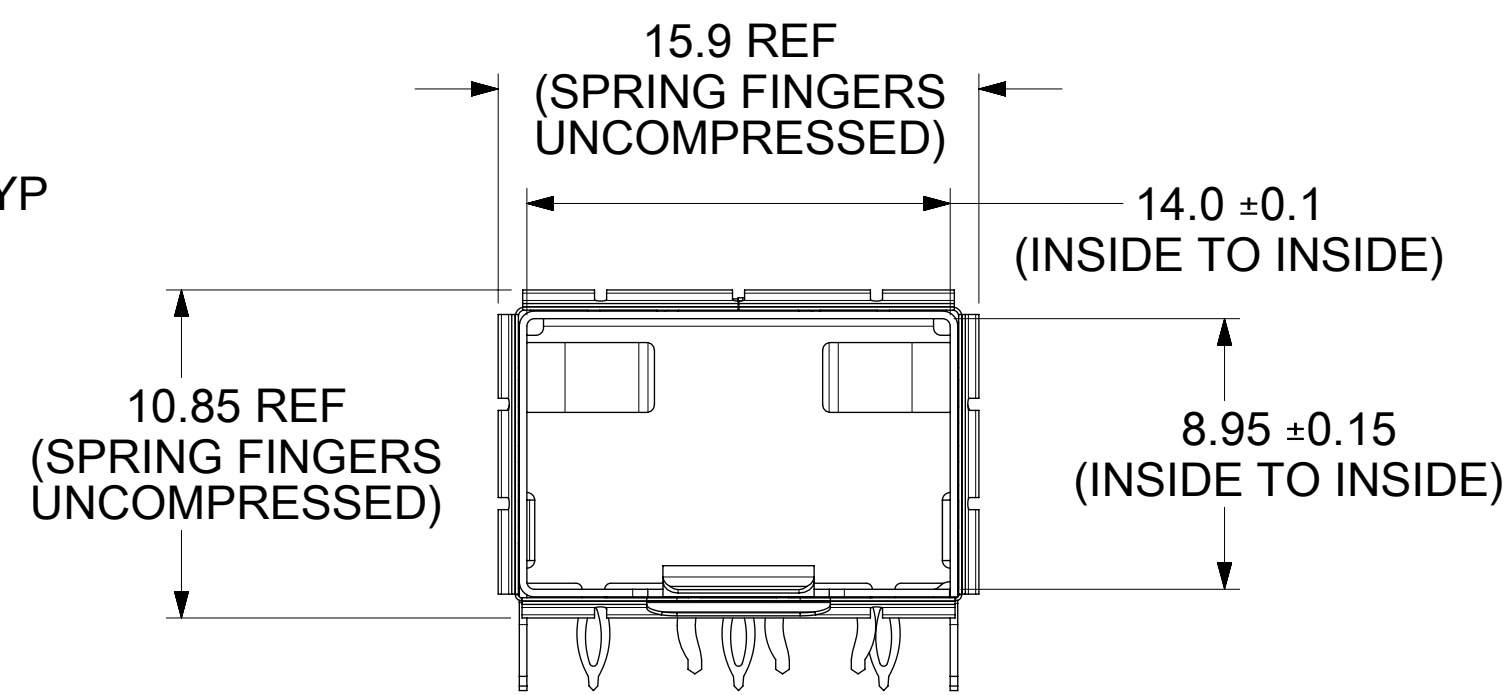
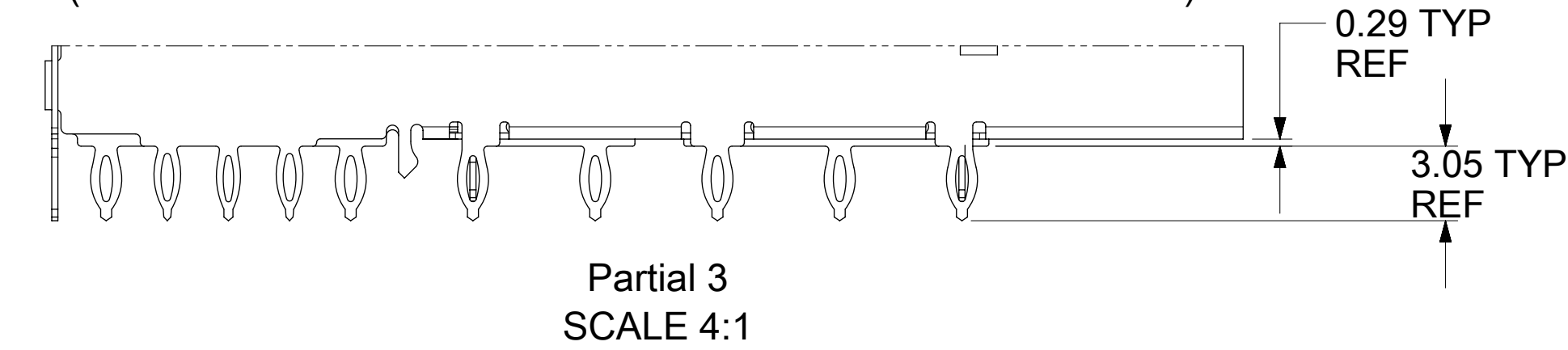
HEATSINK AND HEATSINK SPRING CLIP  
REMOVED TO SHOW CAGE DETAIL  
PART NUMBER 111112-8101 SHOWN



STANDARD CAGE 111112-0101  
(SPRING FINGER REMOVED FROM THIS VIEW FOR CLARITY)



SPECIAL CAGE 111112-0117 WITH LENGTHENED PRESS FIT PINS  
(SPRING FINGER REMOVED FROM THIS VIEW FOR CLARITY)



- NOTES:
- MATERIAL:**  
CAGE: 0.25mm THICK COPPER ALLOY, NICKEL PLATED.  
FRONT SPRING FINGERS: STAINLESS STEEL.  
HEATSINK: ALUMINUM, NICKEL PLATED.  
HEATSINK SPRING CLIP: STAINLESS STEEL.
  - PRESS FIT LEGS 3.05mm LONG:**  
1.57mm MINIMUM PCB THICKNESS FOR SINGLE SIDED USE.
  - PORTS ARE DESIGNED FOR SFP+ TRANSCEIVERS AND ARE COMPATIBLE WITH SFP TRANSCEIVERS.**  
THE TOP SURFACE OF THE MODULE MUST BE FLAT (NO PRODUCT LABEL RECESS) AND THERMALLY CONDUCTIVE TO FUNCTION OPTIMALLY.
  - WELD SPOTS WILL SHOW SLIGHT MATERIAL DISCOLORATION.**
  - NO ROHS EXEMPTIONS.**
  - CUSTOM HEATSINKS AVAILABLE UPON REQUEST.**
  - CAGE ASSEMBLY, HEATSINK, AND HEATSINK SPRING CLIP SHIPPED ASSEMBLED.**
  - THE MOLEX CAGE REQUIRES USING THE MOLEX HEATSINK SPRING CLIP.**

|                    |   |                    |                                      |                 |
|--------------------|---|--------------------|--------------------------------------|-----------------|
| FUNCTIONAL SYMBOLS | THIS DRAWING CONTAINS INFORMATION THAT IS PROPRIETARY TO MOLEX ELECTRONIC TECHNOLOGIES, LLC AND SHOULD NOT BE USED WITHOUT WRITTEN PERMISSION |                    | CURRENT REV DESC: SEE REVISION TABLE |                 |
|                    | FA = 0  | mm                 | SCALE                                | 4:1             |
| DIVISIONAL SYMBOLS | GENERAL TOLERANCES (UNLESS SPECIFIED)   |                    | EC NO: 707262                        |                 |
|                    | FC = 0  | ANGULAR TOL ± 1.0° | DRWN: ABHILT2                        | 2022/04/07      |
| FUNCTIONAL SYMBOLS | 4 PLACES  | ±                  | CHK'D: TKUMARKC                      | 2022/05/25      |
|                    | 3 PLACES  | ±                  | APPR: SCHIEN                         | 2022/05/27      |
|                    | 2 PLACES  | ± 0.13             | INITIAL REVISION:                    |                 |
|                    | 1 PLACE   | ± 0.25             | DRWN: ABHILT2                        | 2022/04/07      |
| DIVISIONAL SYMBOLS | 0 PLACES  | ±                  | APPR: SCHIEN                         | 2022/05/27      |
|                    | DRAFT WHERE APPLICABLE MUST REMAIN WITHIN DIMENSIONS  |                    | THIRD ANGLE PROJECTION               | DRAWING         |
|                    |   |                    | D-SIZE                               | SERIES          |
|                    |   |                    | 111112                               | MATERIAL NUMBER |
|                    |   |                    | SEE SHEET 2                          | CUSTOMER        |
|                    |   |                    |                                      | SHEET NUMBER    |
|                    |   |                    |                                      | 1 OF 5          |

**molex**

SFP+ 1X1 CAGE ASSY PRESS FIT TYPE,  
W/ SUS EMI SPRING FINGERS & HEAT SINK

PRODUCT CUSTOMER DRAWING

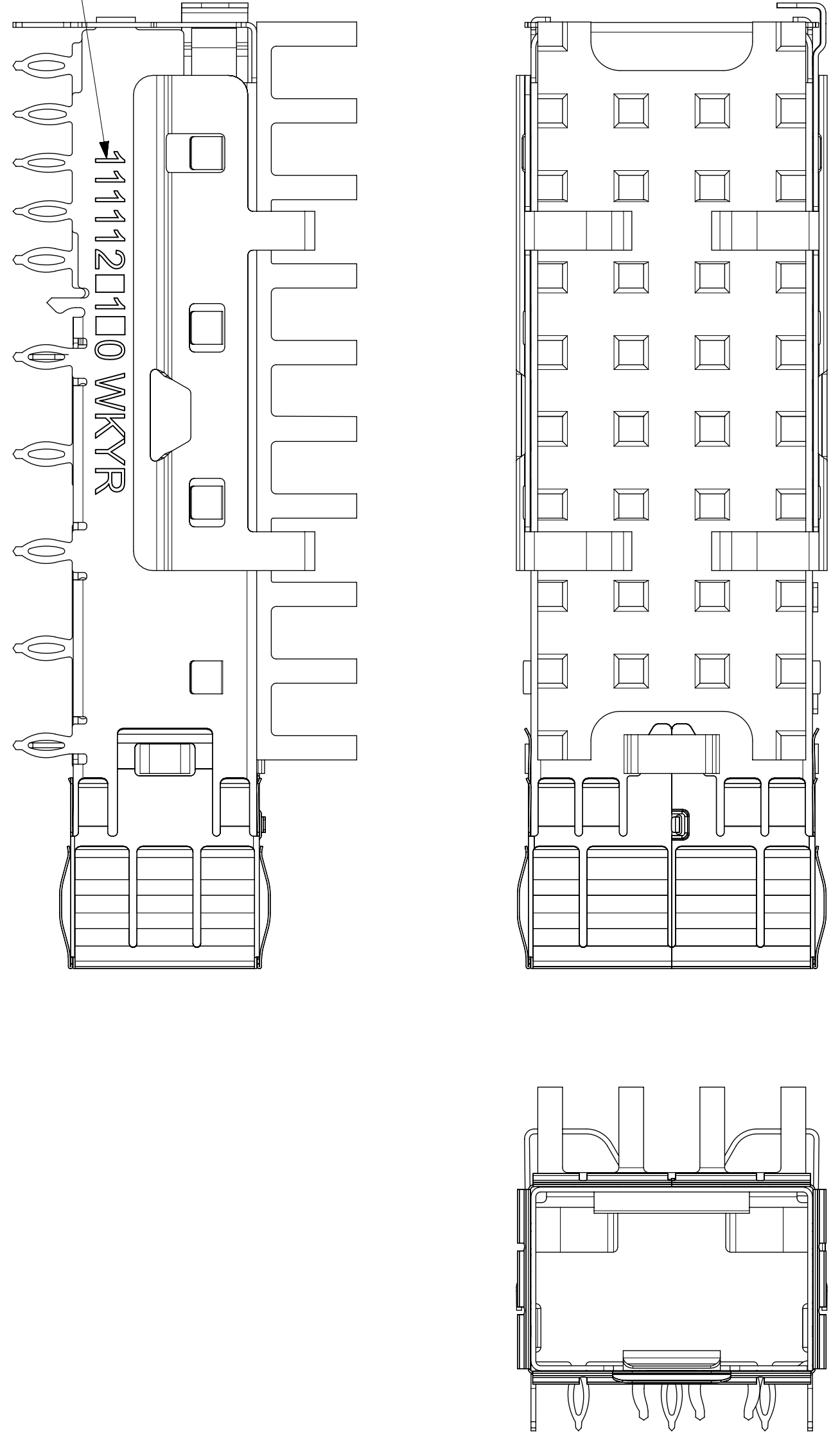
|                 |          |          |          |
|-----------------|----------|----------|----------|
| DOCUMENT NUMBER | DOC TYPE | DOC PART | REVISION |
| 1111128101      | PSD      | ASY      | A        |

111112-9120  
SHOWN ASSEMBLED

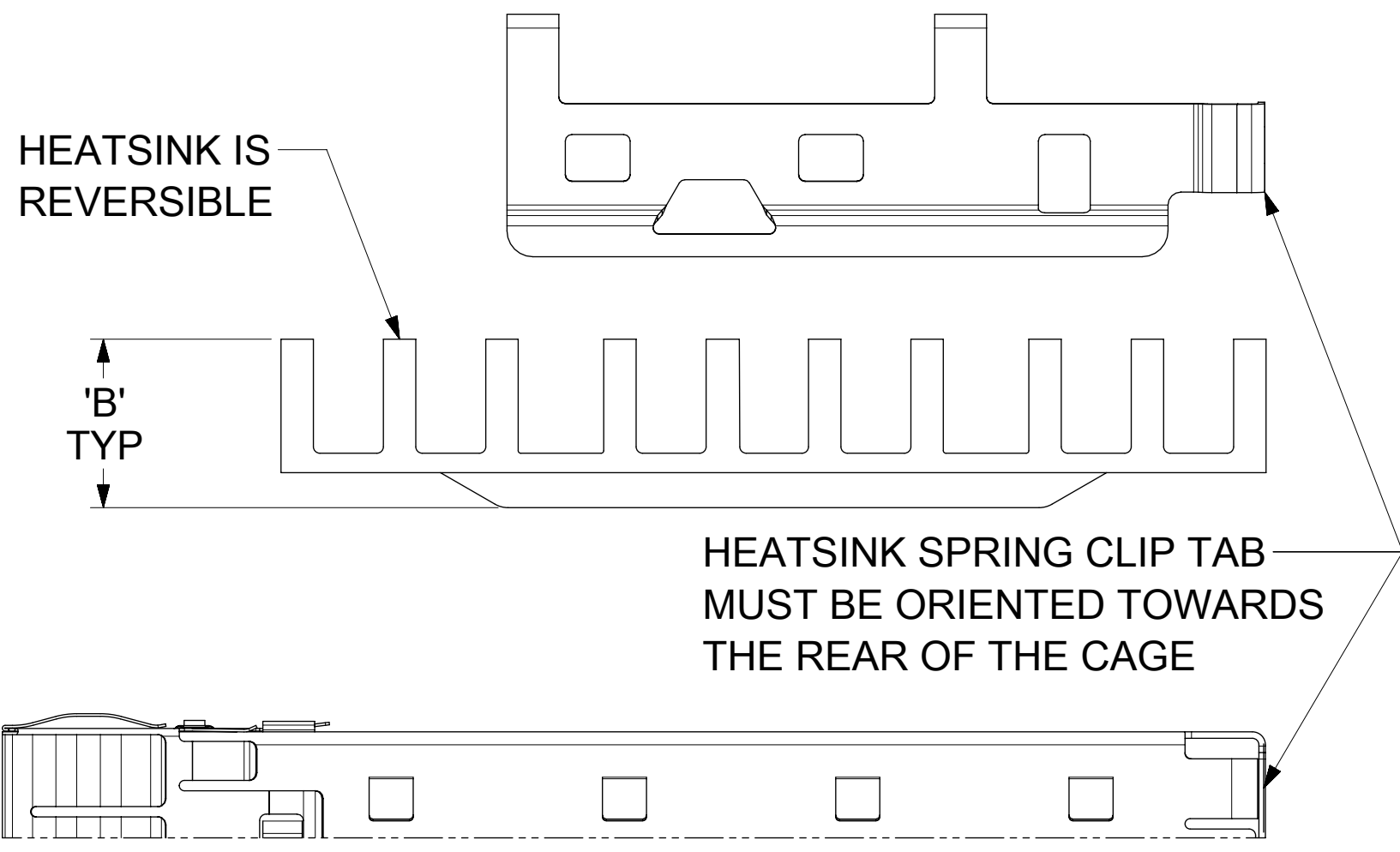
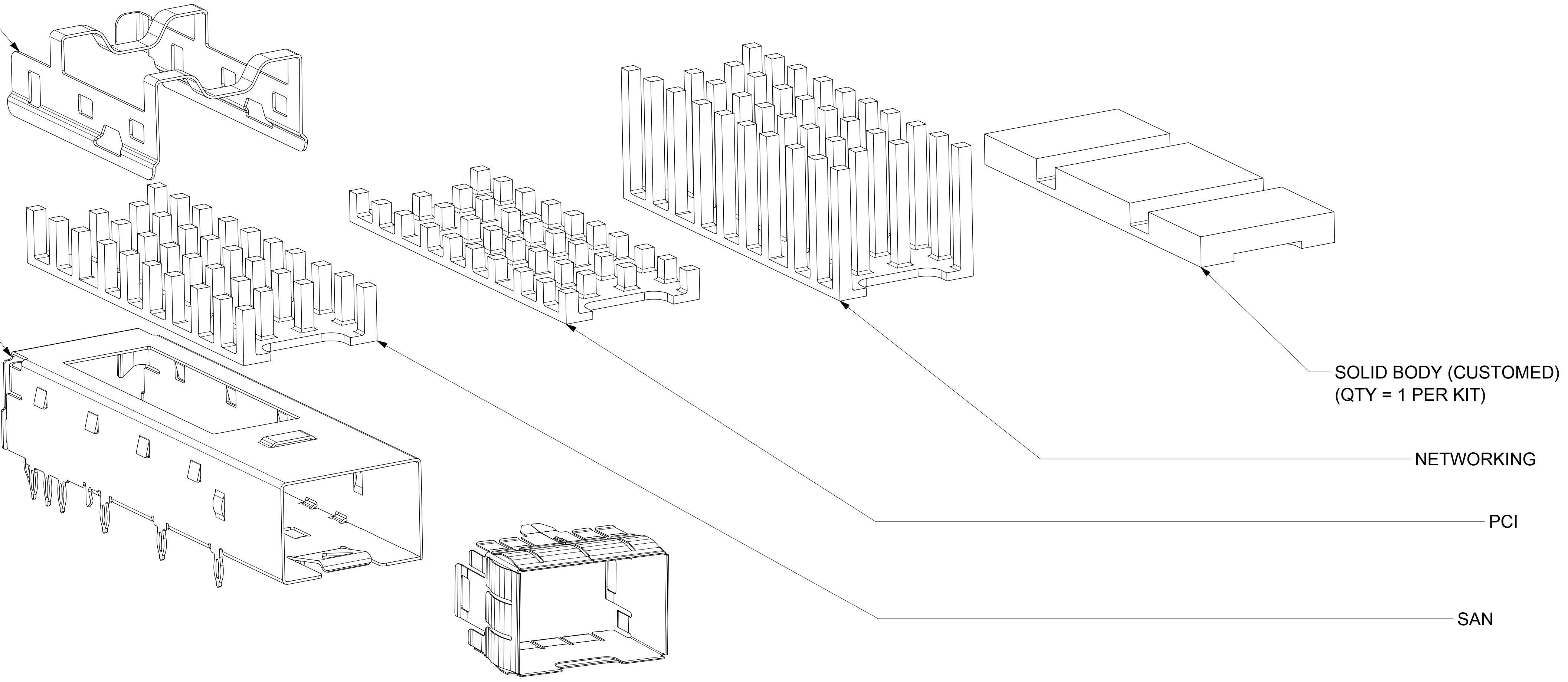
HEATSINK SPRING CLIP  
MATERIAL NUMBER  
111112-1001  
(REFERENCE)

SFP+ CAGE ASSEMBLY  
WITH FRONT SPRING FINGERS

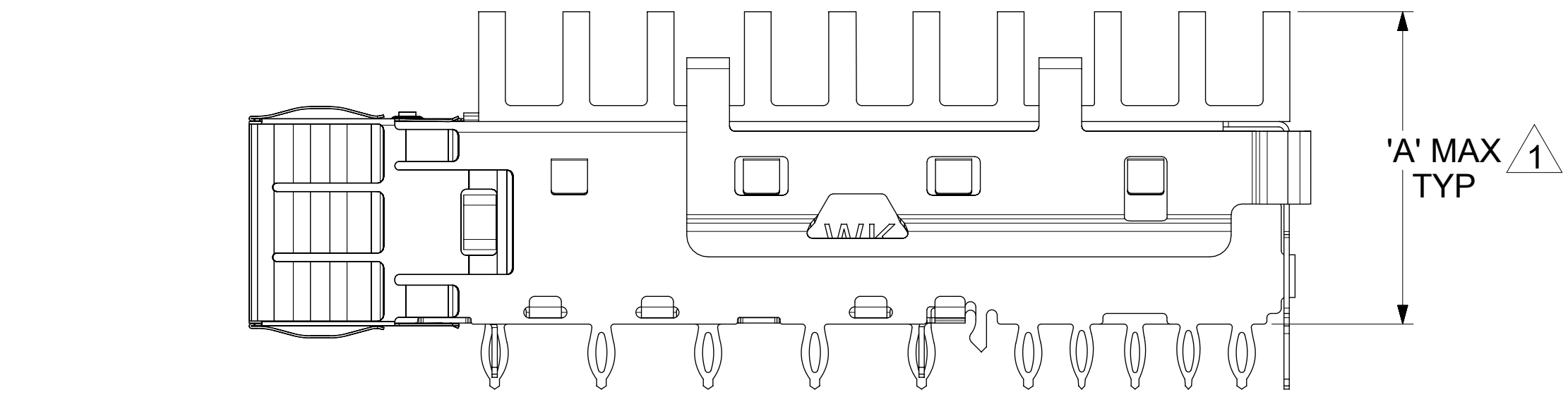
CAGE IDENTIFICATION:  
KIT MATERIAL NUMBER  
DATE CODE:  
WK = WEEK 01 THROUGH 52.  
EXAMPLE: 01 = FIRST WEEK OF YEAR, 52 = LAST WEEK OF YEAR  
YR = LAST TWO DIGITS OF THE YEAR. 22, 23, 24,  
ETC. EXAMPLE: 2022 = 22.



EXPLODED VIEW



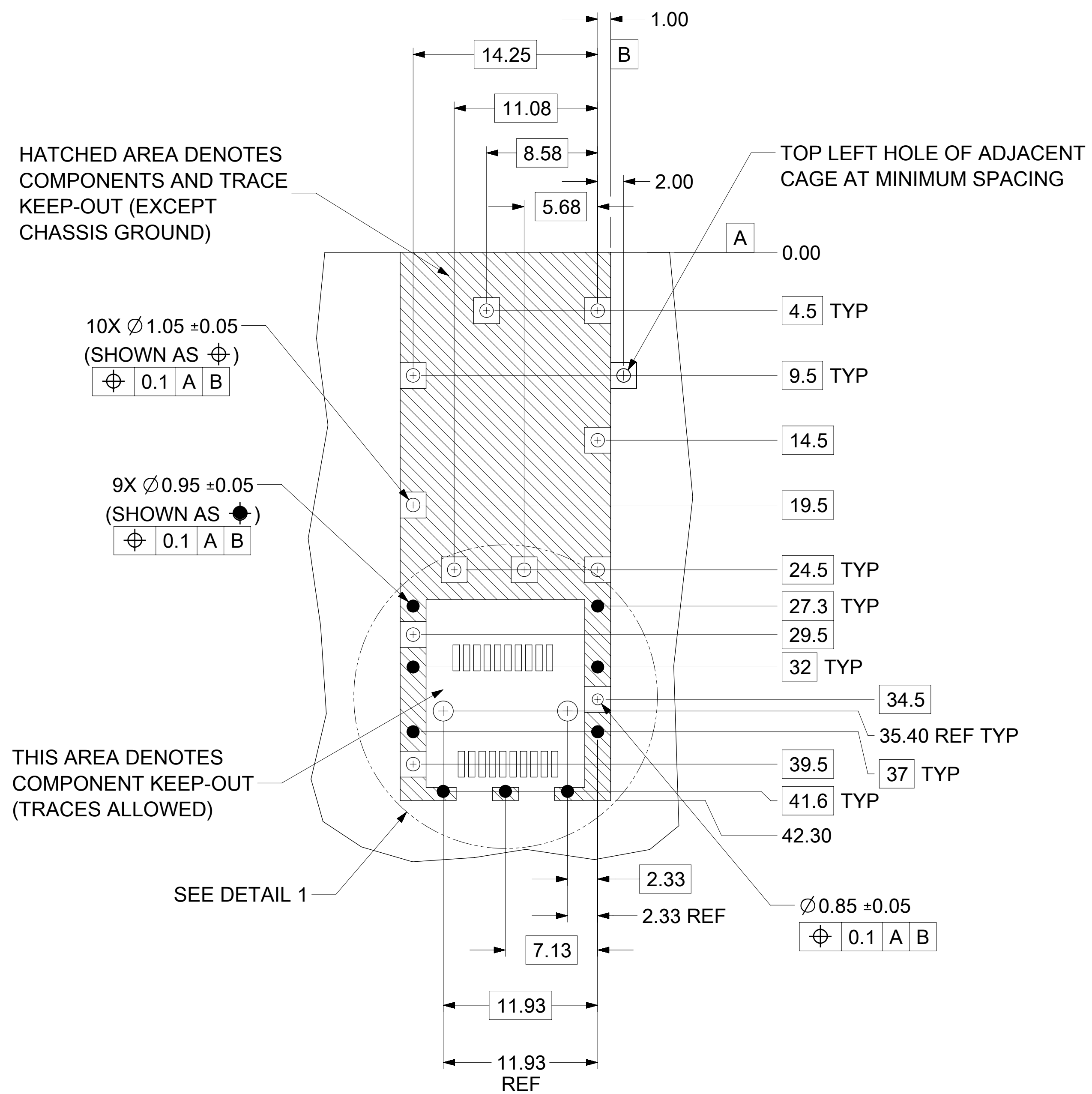
| KIT MAT'L NUMBER | APPLICATION | CAGE ASSY   | ASSEMBLED DIM 'A' | HEATSINK DIM 'B' (REF) | HEATSINK MAT'L NO. (REF) | POLYIMIDE GASKET ATTACHED |
|------------------|-------------|-------------|-------------------|------------------------|--------------------------|---------------------------|
| STANDARD CAGE    |             |             |                   |                        |                          |                           |
| 111112-8120      | PCI         | 111112-8101 | 14.0              | 4.2                    | 111112-2001              | NO                        |
| 111112-9120      | SAN         | 111112-8101 | 16.3              | 6.5                    | 111112-2002              | NO                        |
| 111112-7120      | NETWORKING  | 111112-8101 | 23.3              | 13.5                   | 111112-2003              | NO                        |
| 111112-8121      | SOLID BODY  | 111112-8101 | 14.15             | 4.4                    | 111112-2030              | NO                        |



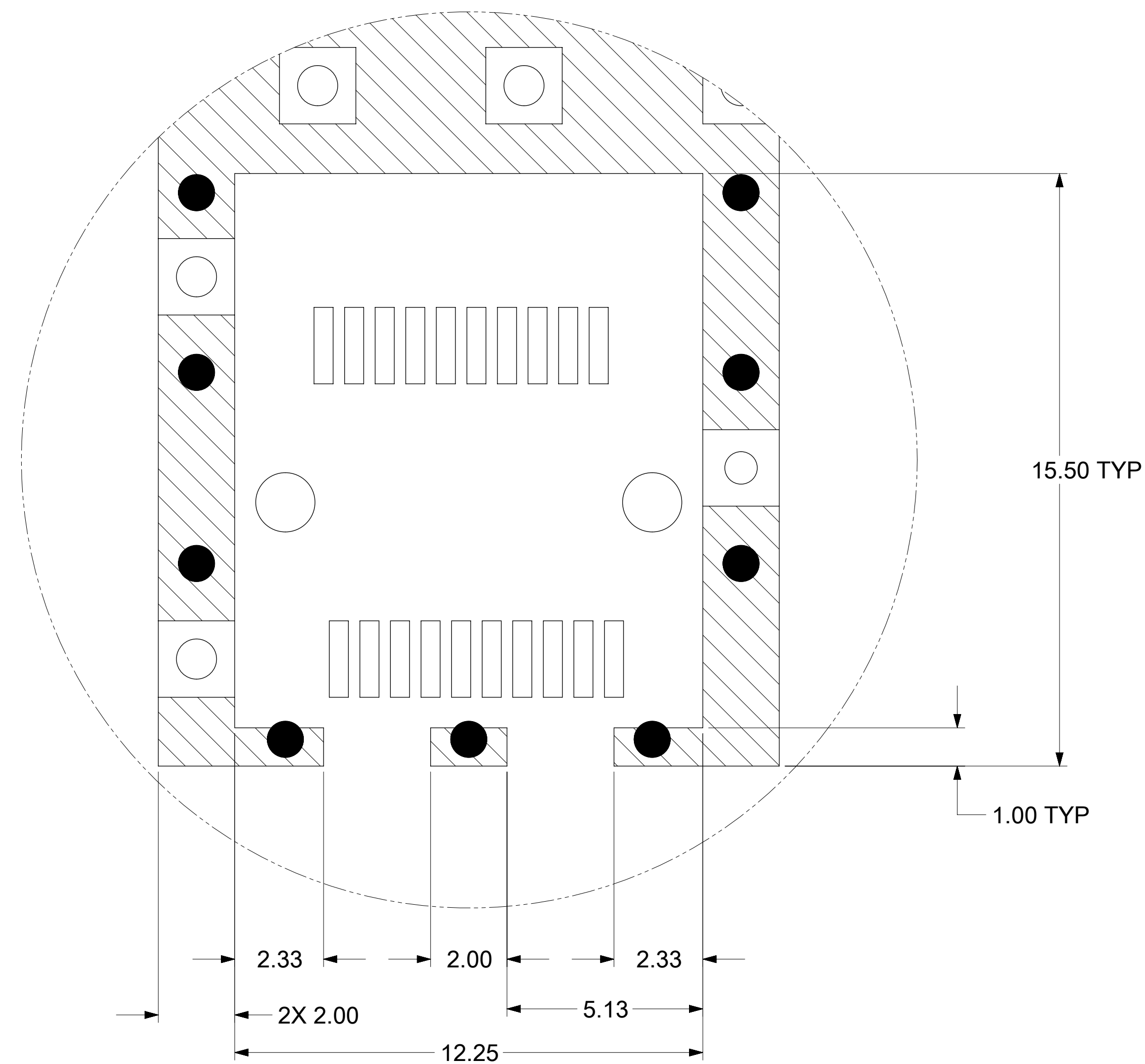
1 HEIGHT OF HEATSINK WITH MODULE INSERTED.  
DIMENSION MAY BE LESS DUE TO MODULE AND HEATSINK VARIATIONS.

|   |   |                        |                                       |                          |  |
|---|---|------------------------|---------------------------------------|--------------------------|--|
| FUNCTIONAL SYMBOLS<br>$F_A = 0$<br>$F_E = 0$<br>$F_D = 0$<br>DIVISIONAL SYMBOLS | THIS DRAWING CONTAINS INFORMATION THAT IS PROPRIETARY TO MOLEX ELECTRONIC TECHNOLOGIES, LLC AND SHOULD NOT BE USED WITHOUT WRITTEN PERMISSION |                        | CURRENT REV DESC: SEE REVISION TABLE  |                          |  |
|   | mm  | SCALE 4:1              | GENERAL TOLERANCES (UNLESS SPECIFIED) |                          |  |
|   | 4 PLACES  | ±                      | ANGULAR TOL ± 1.0°                    |                          |  |
|   | 3 PLACES  | ±                      | 2 PLACES ± 0.13                       |                          |  |
| DRAFT WHERE APPLICABLE MUST REMAIN WITHIN DIMENSIONS                            |   | THIRD ANGLE PROJECTION | DRAWING D-SIZE                        | SERIES 111112            |  |
| EC NO: 707262   |   | DRWN: ABHILT2          | 2022/04/07                            |                          |  |
| CHK'D: TKUMARKC   |   | APPR: SCHIEN           | 2022/05/27                            |                          |  |
| INITIAL REVISION:   |   | DRWN: ABHILT2          | 2022/04/07                            | PRODUCT CUSTOMER DRAWING |  |
| APPR: SCHIEN  |   | 2022/05/27             | 2022/05/27                            | DOCUMENT NUMBER          |  |
| 1111128101  |   | PSD                    | ASY                                   | REVISION A               |  |
| MATERIAL NUMBER   |   | CUSTOMER               | SHEET NUMBER                          |                          |  |
| SEE SHEET 2   |   |                        |                                       | 2 OF 5                   |  |

# PCB LAYOUT FOR SINGLE SIDE MOUNT



## HOST CONNECTOR DETAIL



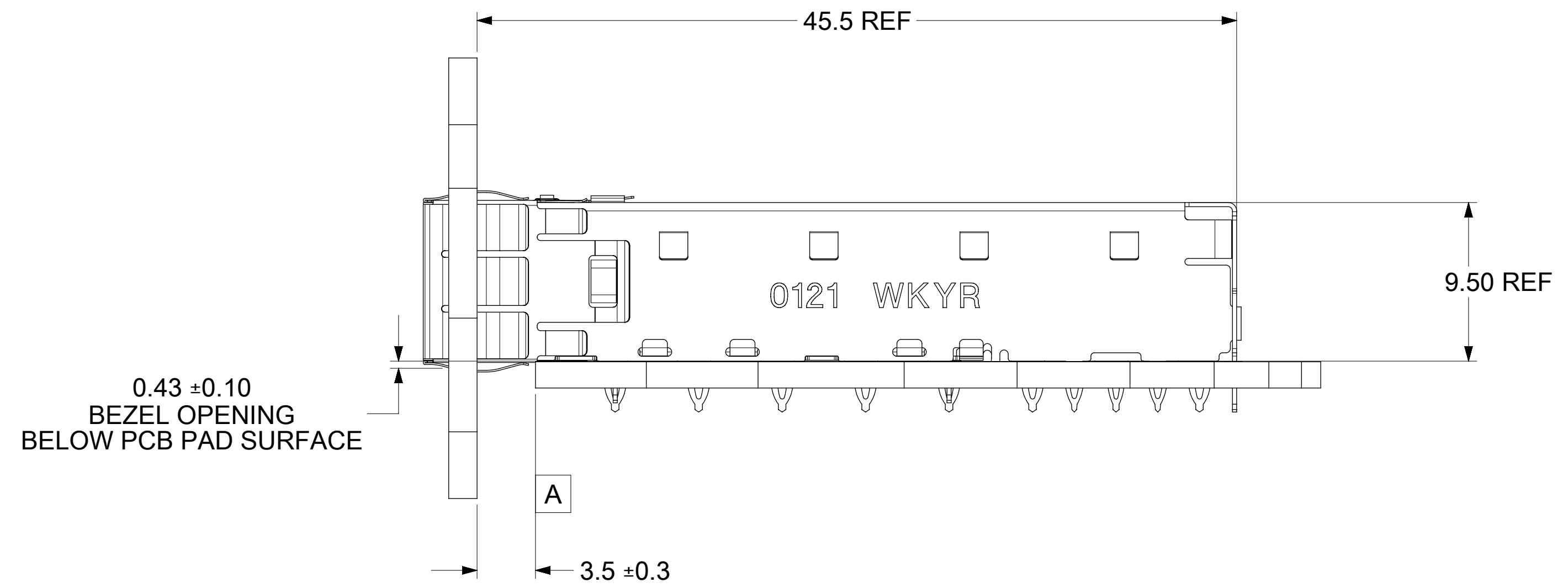
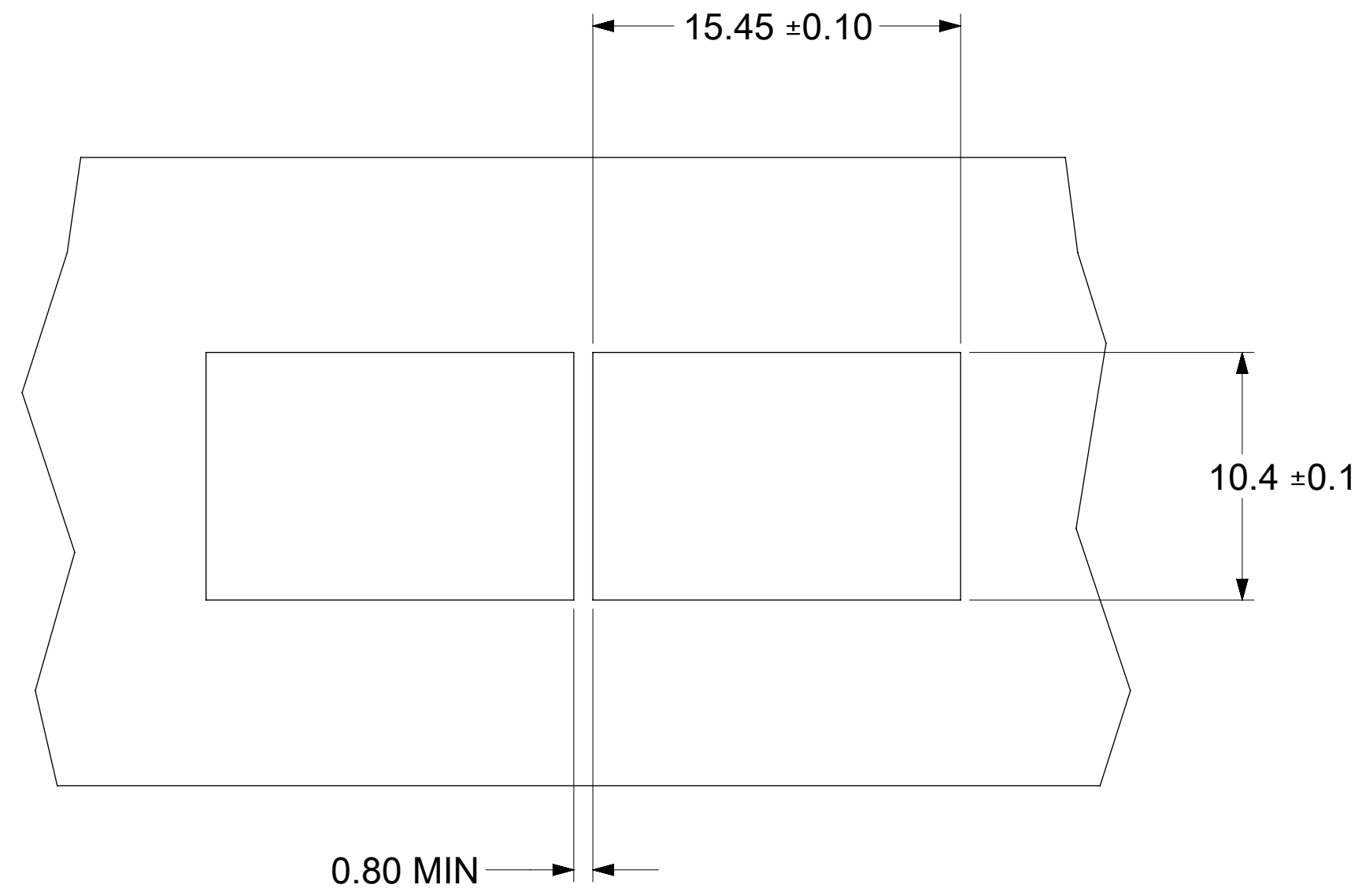
DETAIL 1  
SCALE 10:1

### NOTES:

1. PADS AND VIAS CONNECT TO CHASSIS GROUND (RECOMMEND PADS TO BE 2.00mm SQUARE)
2. RECOMMENDED THRU HOLE PLATING INCLUDES HASL, OSP, OR IMMERSION (GOLD, SILVER, OR TIN).
3. CONNECTOR PAD LAYOUT PER SFP+ MSA WILL ACCOMMODATE MOLEX CONNECTOR SERIES 74441 OR EQUIVALENT.

|  |   |                        |                                      |                             |  |
|--|---|------------------------|--------------------------------------|-----------------------------|--|
| FUNCTIONAL SYMBOLS                                   | THIS DRAWING CONTAINS INFORMATION THAT IS PROPRIETARY TO MOLEX ELECTRONIC TECHNOLOGIES, LLC AND SHOULD NOT BE USED WITHOUT WRITTEN PERMISSION |                        | CURRENT REV DESC: SEE REVISION TABLE |                             | <b>molex</b>   |
|  | FA = 0  | mm                     | SCALE 4:1                            |                             |  |
| DIVISIONAL SYMBOLS                                   | GENERAL TOLERANCES (UNLESS SPECIFIED)   |                        | EC NO: 707262                        |                             | SFP+ 1X1 CAGE ASSY PRESS FIT TYPE, W/ SUS EMI SPRING FINGERS & HEAT SINK |
|  | FC = 0  | ANGULAR TOL ± 1.0°     |                                      | DRWN: ABHILT2 2022/04/07    |  |
| DIVISIONAL SYMBOLS                                   | FP = 0  | 4 PLACES               | ±                                    | CHK'D: TKUMARKC 2022/05/25  | PRODUCT CUSTOMER DRAWING   |
|  |   | 3 PLACES               | ±                                    | APPR: SCHIEN 2022/05/27     |  |
|  |   | 2 PLACES               | ± 0.13                               | INITIAL REVISION:           | DOCUMENT NUMBER 1111128101   |
|  |   | 1 PLACE                | ± 0.25                               | DRWN: ABHILT2 2022/04/07    |  |
|  | 0 PLACES  | ±                      | APPR: SCHIEN 2022/05/27              | DOC TYPE PSD                |  |
| DRAFT WHERE APPLICABLE MUST REMAIN WITHIN DIMENSIONS |   | THIRD ANGLE PROJECTION |                                      | DRAWING D-SIZE              | SERIES 111112  |
|  |   |                        |                                      | MATERIAL NUMBER SEE SHEET 2 | CUSTOMER   |
|  |   |                        |                                      | SHEET NUMBER 3 OF 5         |  |

# BEZEL AND BOARD POSITION DIMENSIONS FOR SINGLE SIDE MOUNTING (SPRING FINGER)



|   |   |                         |  |
|---|---|-------------------------|--|
| FUNCTIONAL SYMBOLS                                      | THIS DRAWING CONTAINS INFORMATION THAT IS PROPRIETARY TO MOLEX ELECTRONIC TECHNOLOGIES, LLC AND SHOULD NOT BE USED WITHOUT WRITTEN PERMISSION |                         |  |
|   | DIMENSION UNITS   | SCALE                   | CURRENT REV DESC: SEE REVISION TABLE   |
| $\nabla_A = 0$  | mm  | 1:1                     | EC NO: 707262<br>DRWN: ABHILT2 2022/04/07<br>CHK'D: TKUMARKC 2022/05/25<br>APPR: SCHIEN 2022/05/27 |
| $\nabla_C = 0$  | GENERAL TOLERANCES (UNLESS SPECIFIED)   |                         |  |
| $\nabla_P = 0$  | ANGULAR TOL ± 1.0°  |                         | INITIAL REVISION:<br>DRWN: ABHILT2 2022/04/07<br>APPR: SCHIEN 2022/05/27                           |
| DIVISIONAL SYMBOLS                                      | 4 PLACES  | ±                       |  |
|   | 3 PLACES  | ±                       | DOCUMENT NUMBER<br><b>1111128101</b>   |
|   | 2 PLACES  | ± 0.13                  |  |
|   | 1 PLACE   | ± 0.25                  | DOC TYPE<br>PSD  |
|   | 0 PLACES  | ±                       | DOC PART<br>ASY  |
| DRAFT WHERE APPLICABLE<br>MUST REMAIN WITHIN DIMENSIONS | THIRD ANGLE PROJECTION  | DRAWING                 | REVISION<br><b>A</b>   |
|   |   | <b>D-SIZE</b>           | MATERIAL NUMBER<br>SEE SHEET 2   |
|   |   | SERIES<br><b>111112</b> | CUSTOMER<br>SHEET NUMBER<br><b>4 OF 5</b>  |

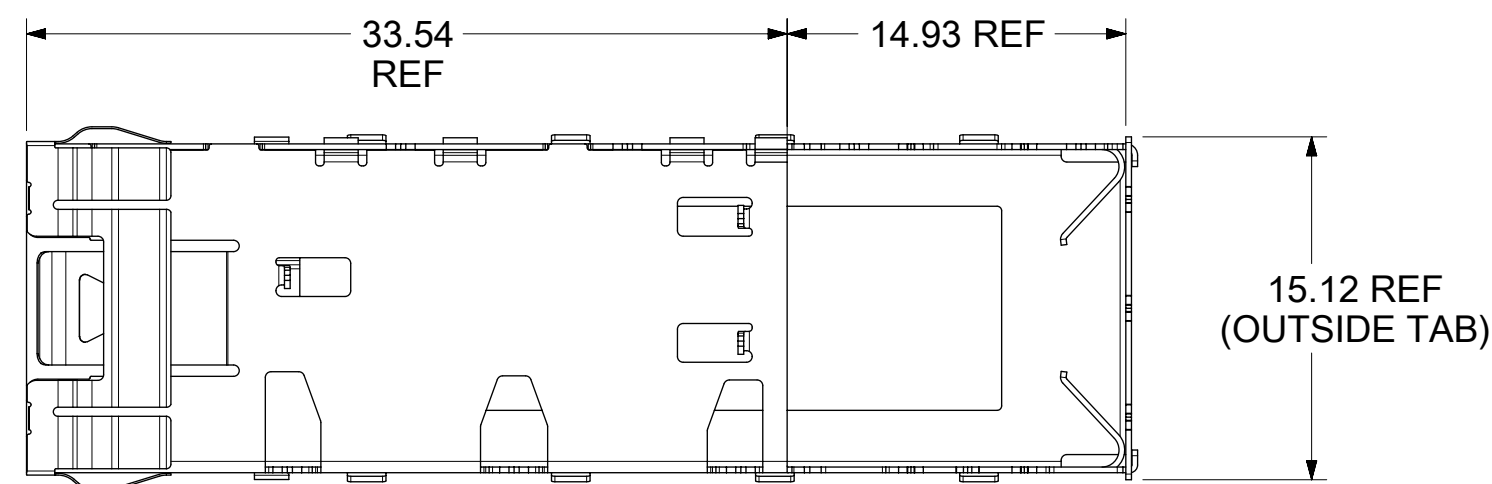
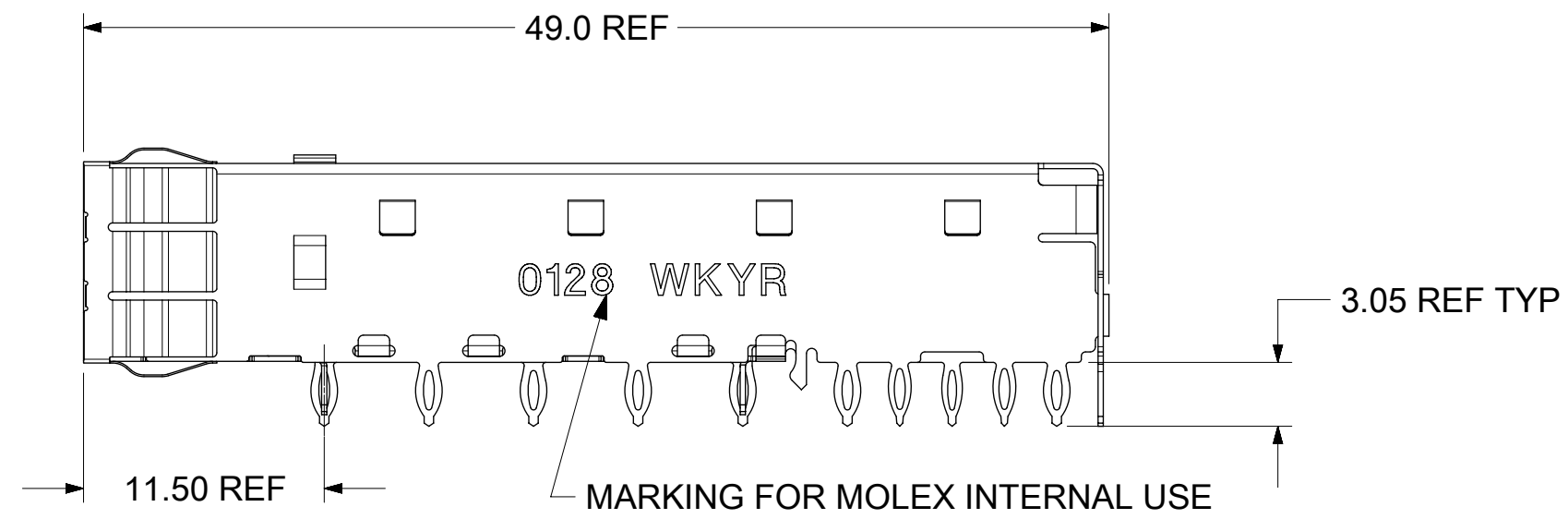
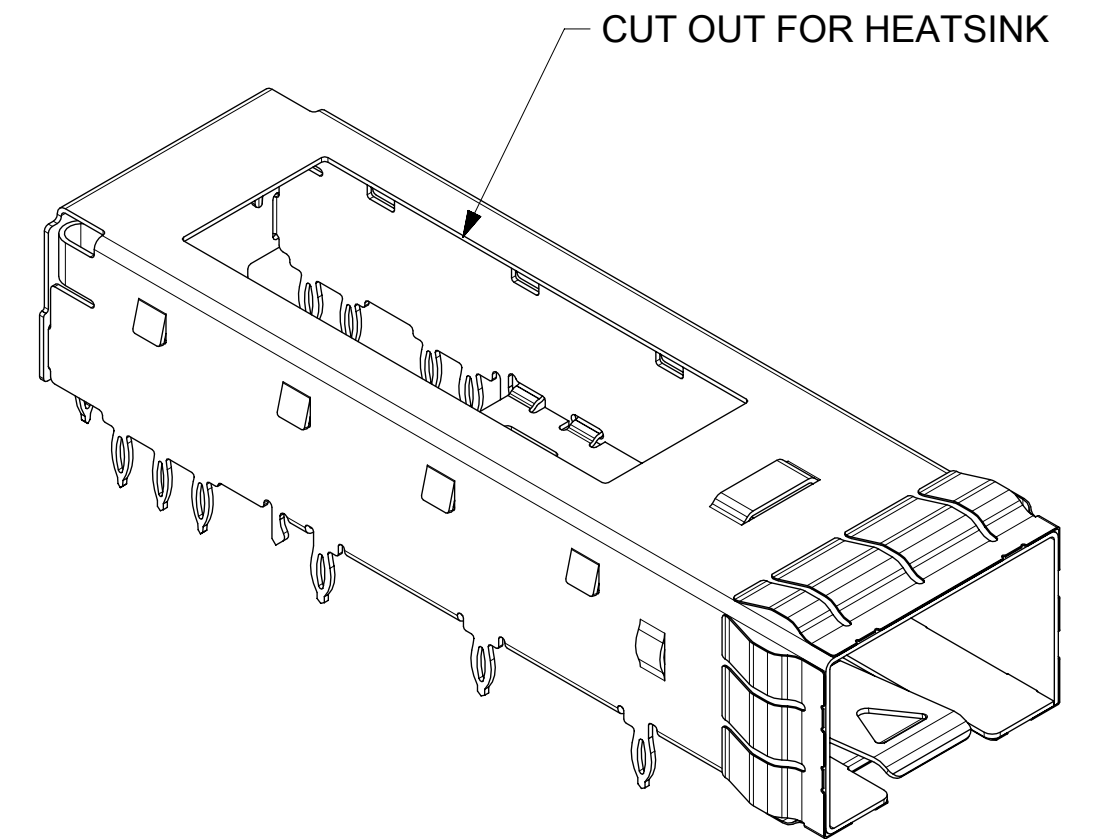
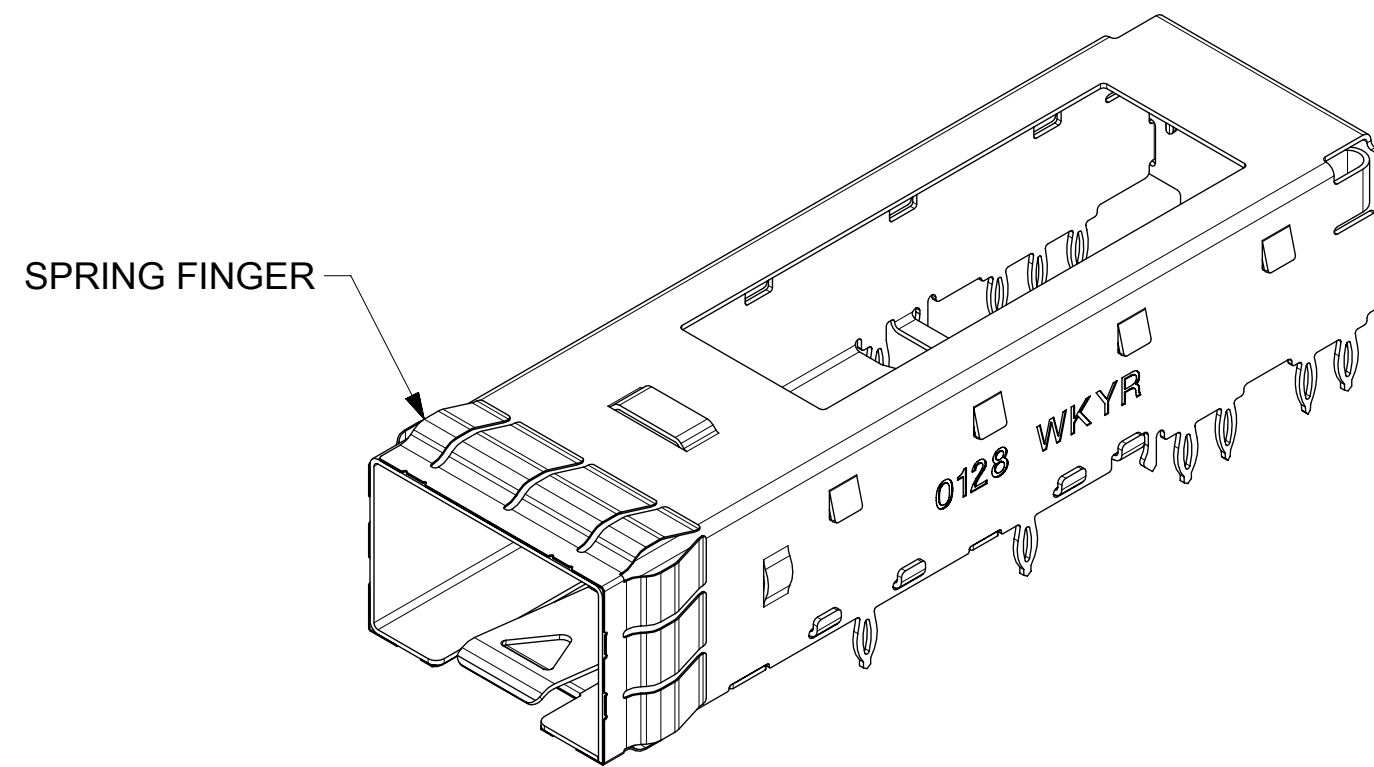
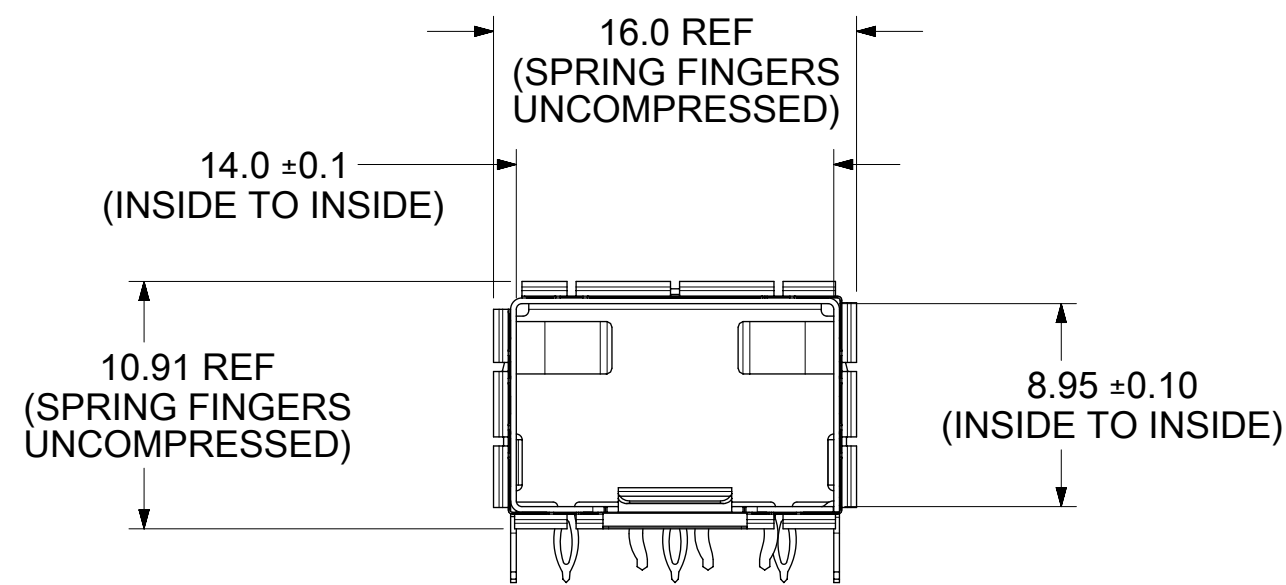
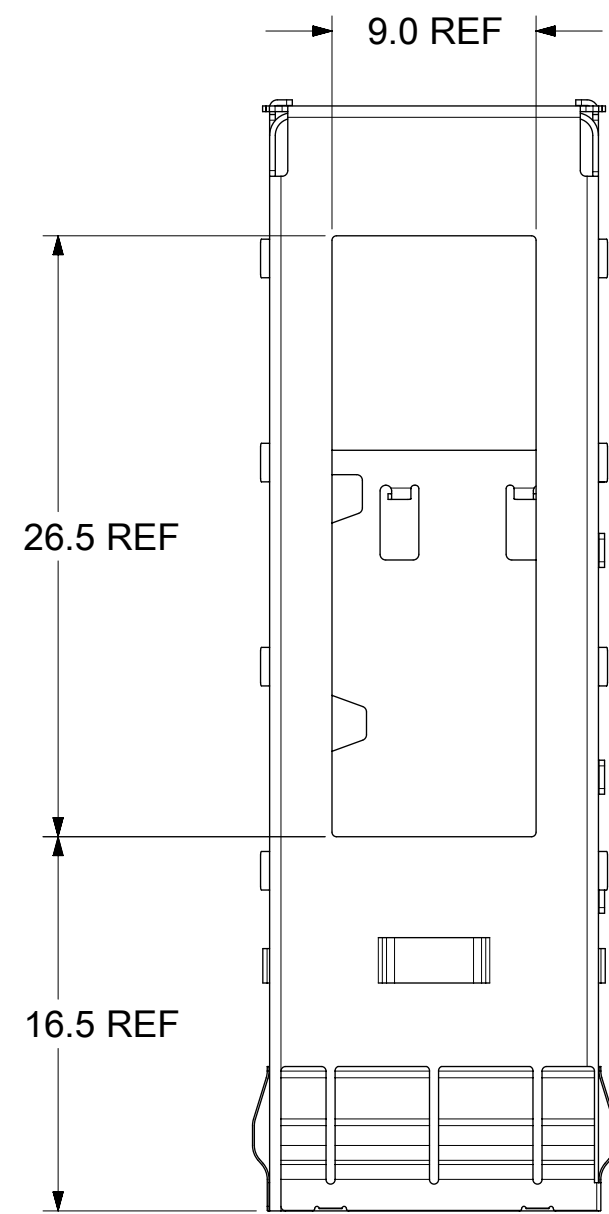
| REVISION | DATE       | DESCRIPTION     |
|----------|------------|-----------------|
| A        | 2022/05/25 | INITIAL RELEASE |
|          |            |                 |
|          |            |                 |
|          |            |                 |
|          |            |                 |
|          |            |                 |
|          |            |                 |
|          |            |                 |

|  |   |                        |                                       |                                      |                 |  |                 |          |          |                        |
|--|---|------------------------|---------------------------------------|--------------------------------------|-----------------|--|-----------------|----------|----------|------------------------|
| <b>FUNCTIONAL SYMBOLS</b><br>FA = 0<br>FC = 0<br>FP = 0<br><b>DIVISIONAL SYMBOLS</b> | THIS DRAWING CONTAINS INFORMATION THAT IS PROPRIETARY TO MOLEX ELECTRONIC TECHNOLOGIES, LLC AND SHOULD NOT BE USED WITHOUT WRITTEN PERMISSION |                        |                                       | CURRENT REV DESC: SEE REVISION TABLE |                 |  |                 |          |          |                        |
|  | DIMENSION UNITS   | SCALE                  | GENERAL TOLERANCES (UNLESS SPECIFIED) |                                      |                 |  |                 |          |          |                        |
|  | mm  | 1:1                    | ANGULAR TOL ± 1.0°                    |                                      |                 | EC NO: 707262  |                 |          |          |                        |
|  | 4 PLACES ±  |                        | 3 PLACES ±                            |                                      |                 | DRWN: ABHILT2 2022/04/07   |                 |          |          |                        |
|  | 3 PLACES ±  |                        | 2 PLACES ± 0.13                       |                                      |                 | CHK'D: TKUMARKC 2022/05/25   |                 |          |          |                        |
|  | 2 PLACES ±  |                        | 1 PLACE ± 0.25                        |                                      |                 | APPR: SCHIEN 2022/05/27  |                 |          |          |                        |
|  | 1 PLACE ±   |                        | 0 PLACES ±                            |                                      |                 | INITIAL REVISION:<br>DRWN: ABHILT2 2022/04/07<br>APPR: SCHIEN 2022/05/27 |                 |          |          |                        |
| DRAFT WHERE APPLICABLE MUST REMAIN WITHIN DIMENSIONS                                 |   | THIRD ANGLE PROJECTION | DRAWING                               | SERIES                               | MATERIAL NUMBER | CUSTOMER   | DOCUMENT NUMBER | DOC TYPE | DOC PART | REVISION               |
|  |   |                        | D-SIZE                                | 111112                               | SEE SHEET 2     |  | 1111128101      | PSD      | ASY      | A                      |
|  |   |                        |                                       |                                      |                 |  |                 |          |          | SHEET NUMBER<br>5 OF 5 |

|                 |    |              |                     |
|-----------------|----|--------------|---------------------|
| DOCUMENT STATUS | P1 | RELEASE DATE | 2022/05/27 10:20:26 |
|-----------------|----|--------------|---------------------|

# CAGE ASSEMBLY

HEATSINK/CLIP NOT SHOWN FOR CLARITY



- NOTES:**
- MATERIAL:**  
 CAGE: 0.25mm THICK COPPER ALLOY, NICKEL PLATED.  
 FRONT SPRING FINGERS: STAINLESS STEEL.  
 HEATSINK: ALUMINUM, NICKEL PLATED.  
 HEATSINK SPRING CLIP: STAINLESS STEEL.
  - PRESS FIT LEGS 3.05mm LONG:**  
 1.57mm MINIMUM PCB THICKNESS FOR SINGLE SIDED USE.
  - PORTS ARE DESIGNED FOR SFP+ TRANSCEIVERS AND ARE COMPATIBLE WITH SFP TRANSCEIVERS.**  
 THE TOP SURFACE OF THE MODULE MUST BE FLAT (NO PRODUCT LABEL RECESS) AND THERMALLY CONDUCTIVE TO FUNCTION OPTIMALLY.
  - WELD SPOTS WILL SHOW SLIGHT MATERIAL DISCOLORATION.**
  - NO RoHS EXEMPTIONS.**
  - CUSTOM HEATSINKS AVAILABLE UPON REQUEST.**
  - CAGE ASSEMBLY, HEATSINK, AND HEATSINK SPRING CLIP SHIPPED ASSEMBLED.**
  - THE MOLEX CAGE REQUIRES USING THE MOLEX HEATSINK SPRING CLIP.**

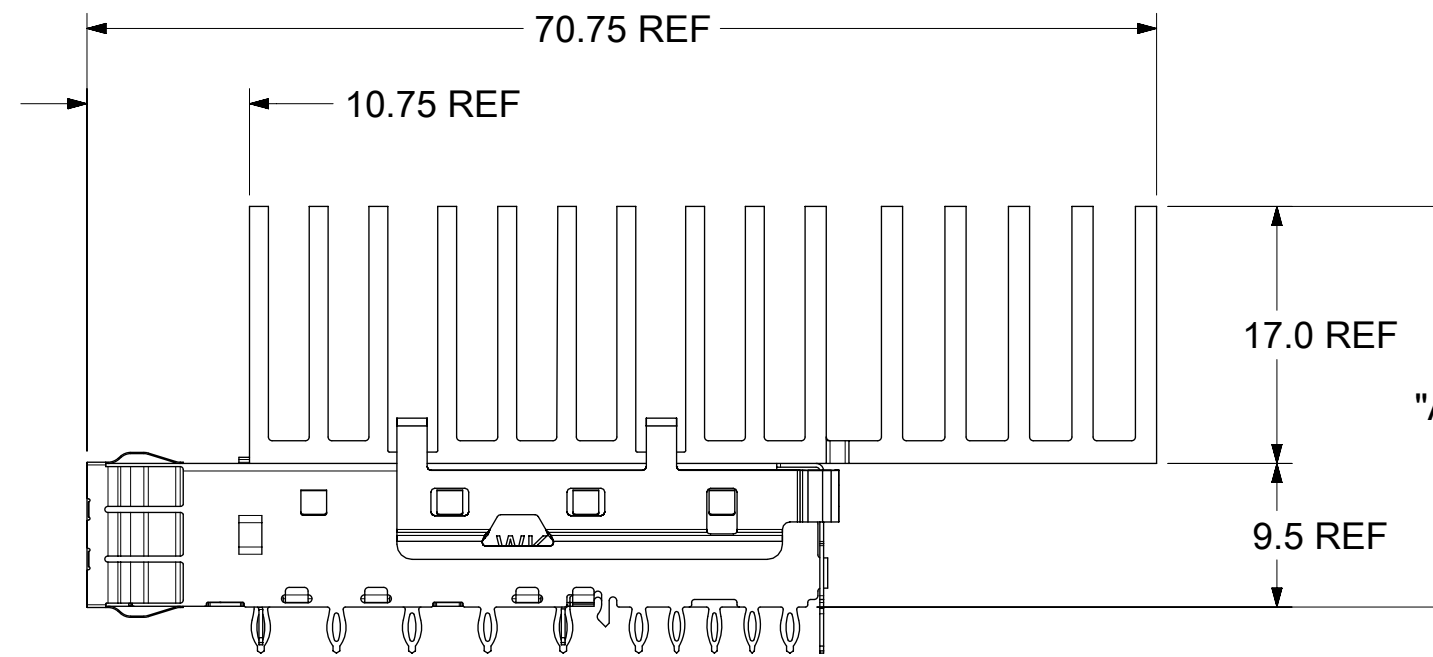
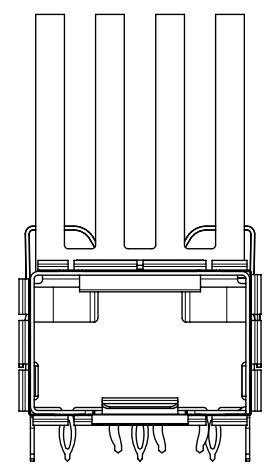
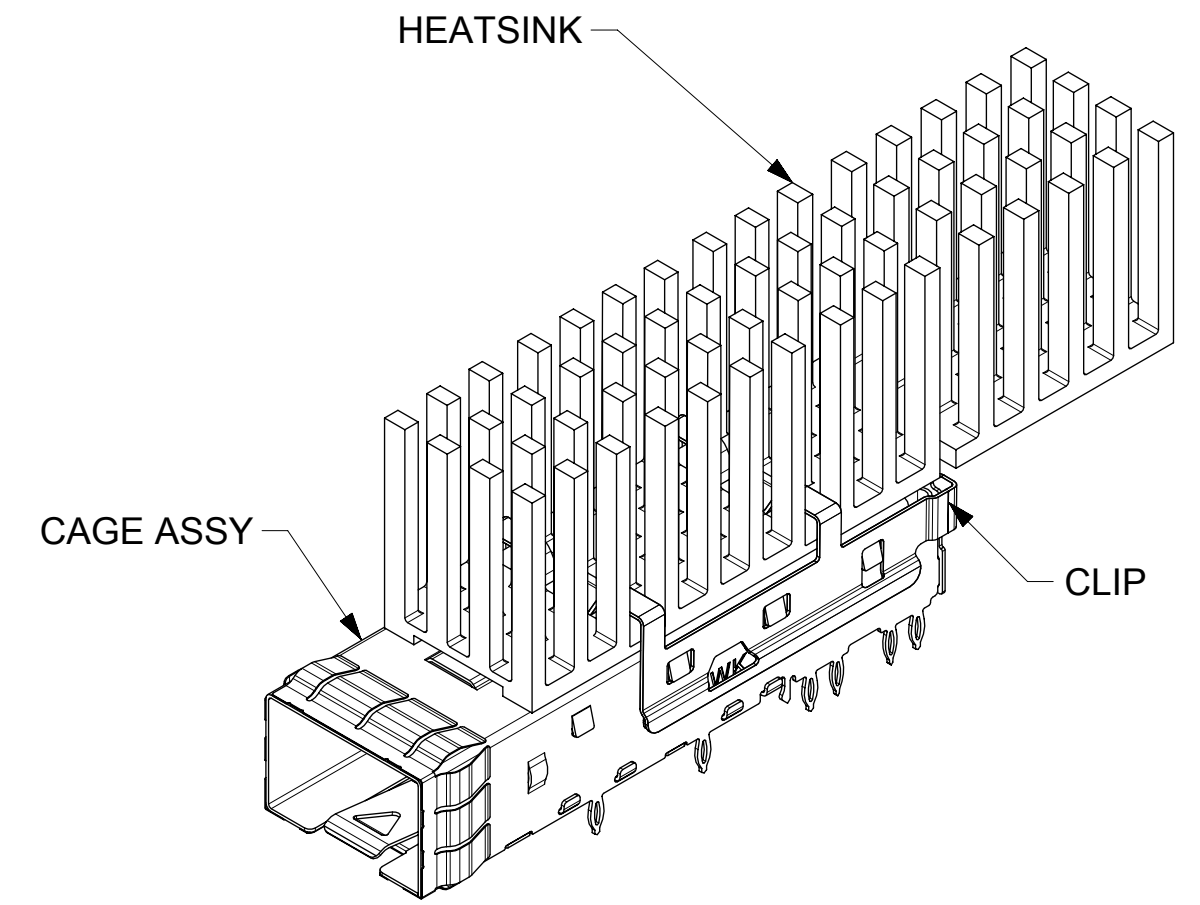
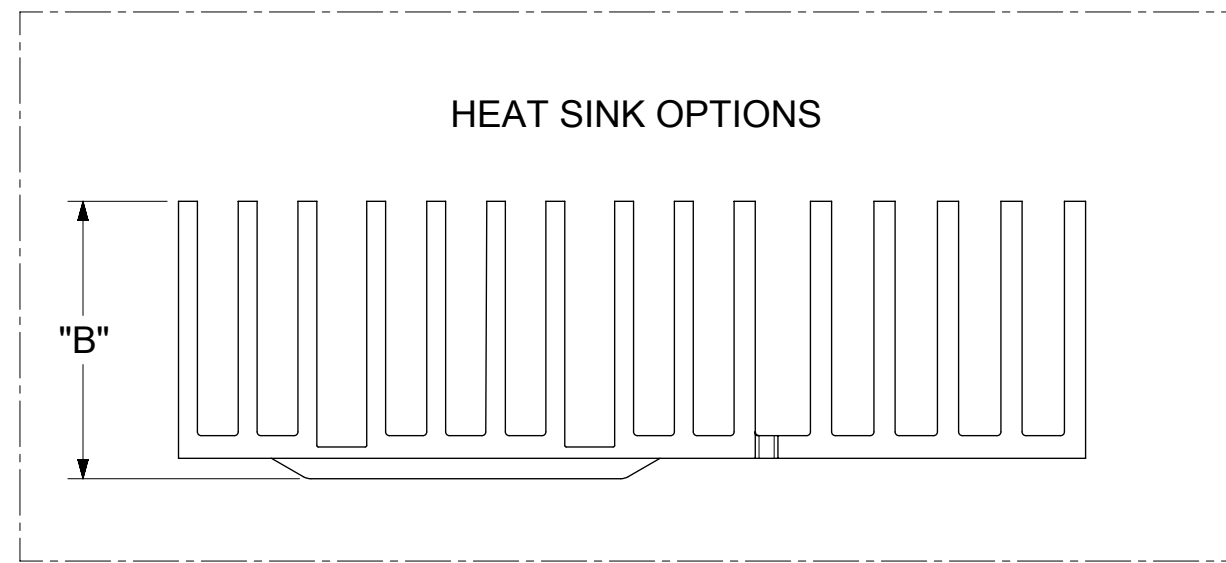
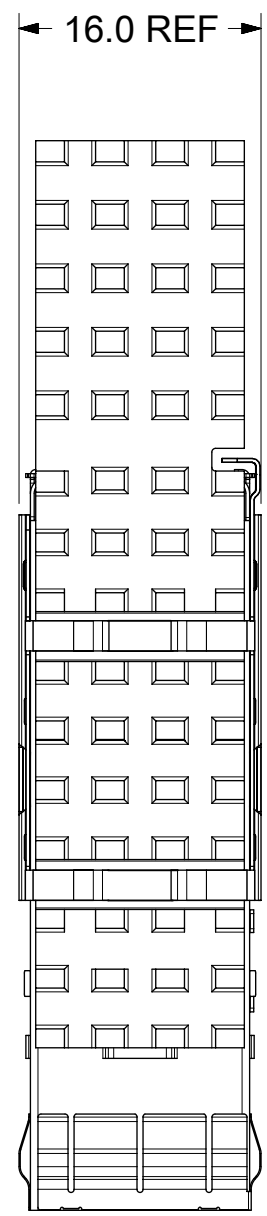
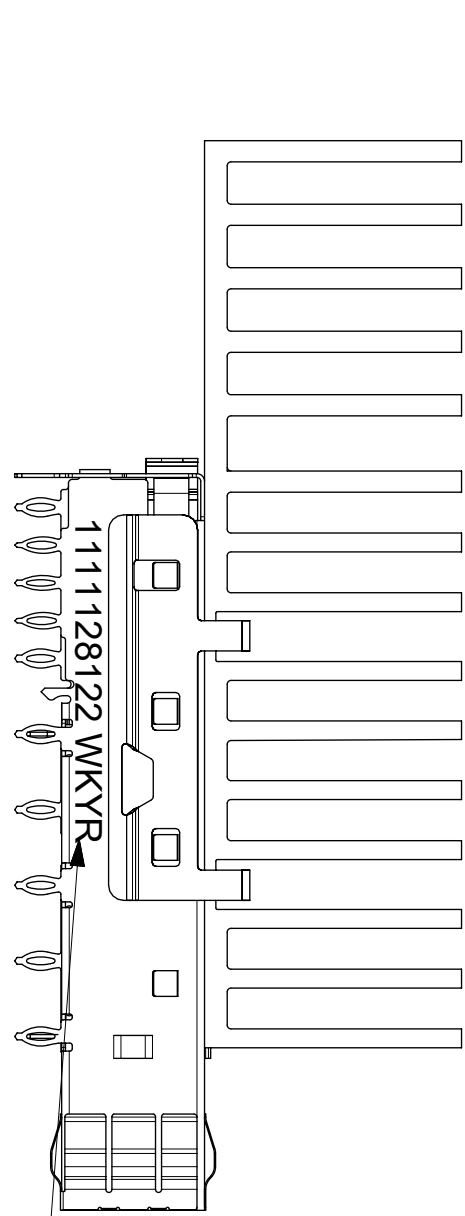
|  |    |   |         |                                       |           |
|--|----|---|---------|---------------------------------------|-----------|
| FUNCTIONAL SYMBOLS                                   |    | THIS DRAWING CONTAINS INFORMATION THAT IS PROPRIETARY TO MOLEX ELECTRONIC TECHNOLOGIES, LLC AND SHOULD NOT BE USED WITHOUT WRITTEN PERMISSION |         | CURRENT REV DESC: SEE REVISION TABLE  |           |
| $\nabla_A = 0$                                       | mm | SCALE   | 3:1     | GENERAL TOLERANCES (UNLESS SPECIFIED) |           |
| $\nabla_E = 0$                                       |    | ANGULAR TOL $\pm 1.0^\circ$   |         | 4 PLACES $\pm$                        |           |
| $\nabla_P = 0$                                       |    | 3 PLACES $\pm$  |         | 2 PLACES $\pm 0.13$                   |           |
| DIVISIONAL SYMBOLS                                   |    | 1 PLACE $\pm 0.25$  |         | 0 PLACES $\pm$                        |           |
| DRAFT WHERE APPLICABLE MUST REMAIN WITHIN DIMENSIONS |    | THIRD ANGLE PROJECTION  | DRAWING | SERIES                                | 111112    |
|  |    |   | C-SIZE  | MATERIAL NUMBER                       | 111128122 |
|  |    |   |         | CUSTOMER                              |           |
|  |    |   |         | SHEET NUMBER                          | 1 OF 5    |

**molex**

SFP+ 1X1 CAGE ASSY PRESS FIT TYPE, W/ SUS SPRING FINGR, CUTOUT 3.4 & HEATSINKS

PRODUCT CUSTOMER DRAWING

DOCUMENT NUMBER: 111128122  
 DOC TYPE: PSD  
 DOC PART: ASY  
 REVISION: A



"A" MAX TYP. (AFTER MATING WITH TRANSCEIVERS)

| F/G PART NUMBER | DIM "A" | DIM "B" |
|-----------------|---------|---------|
| 111128122       | 28.1    | 18.35   |

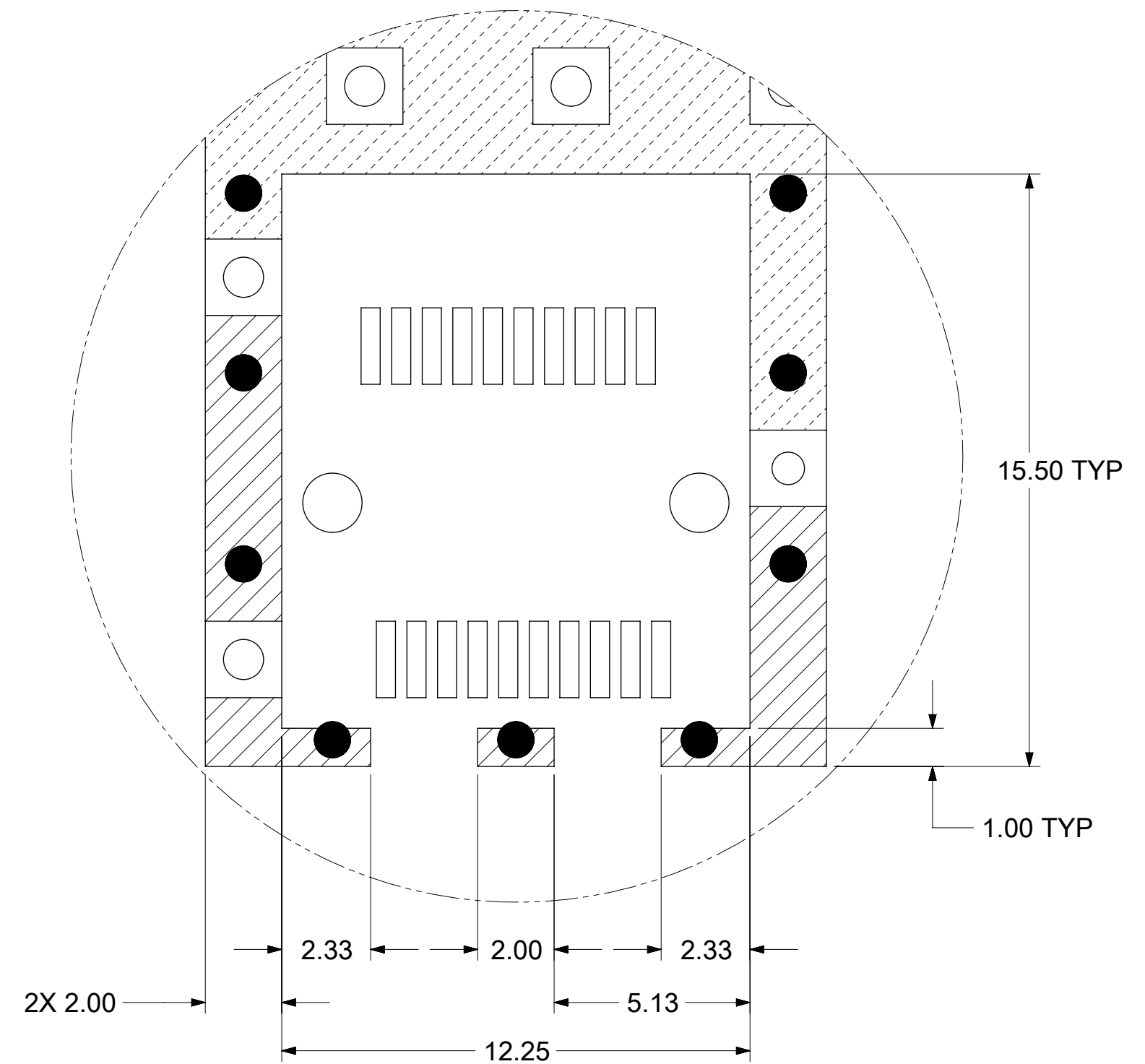
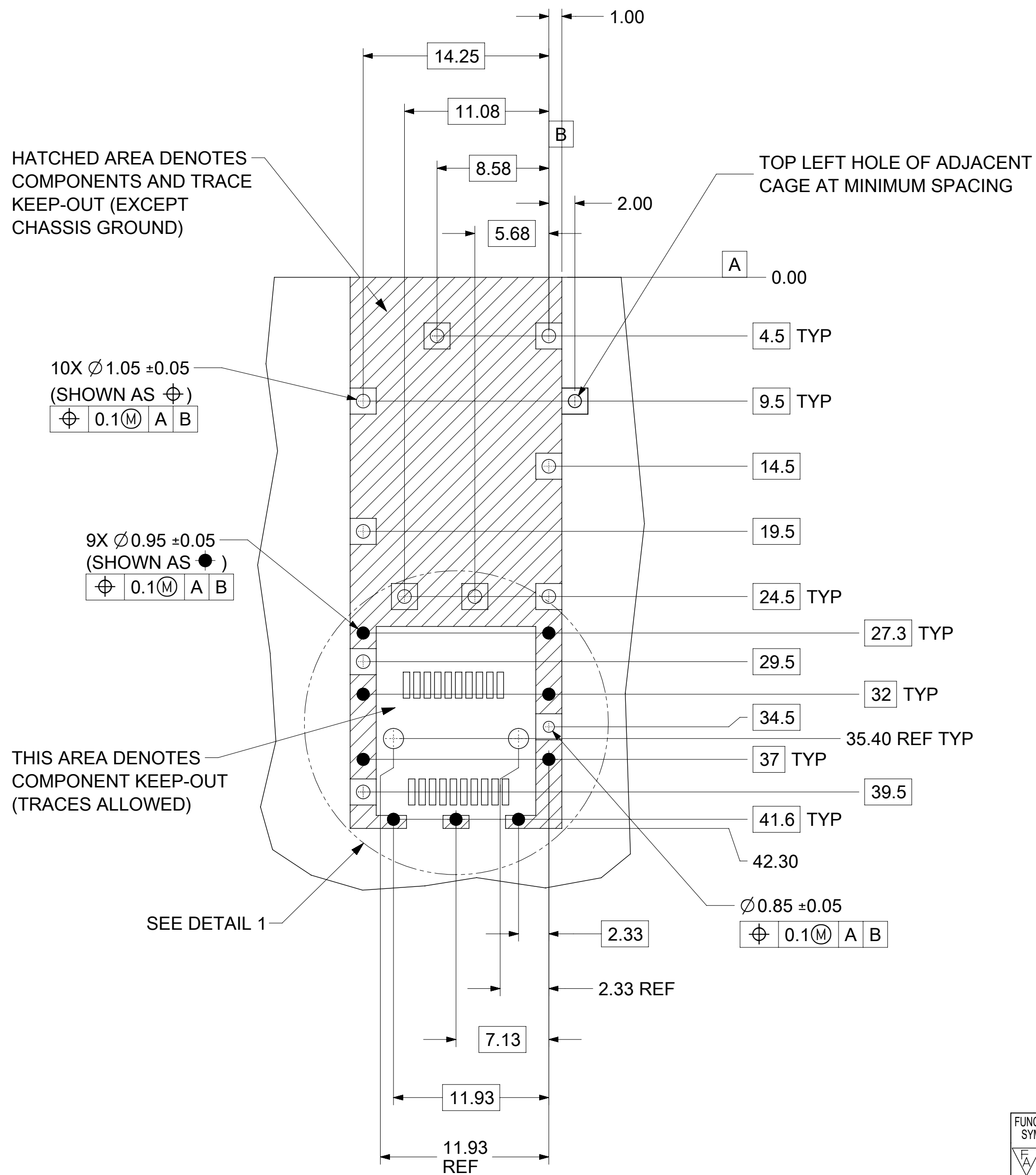
PART NO. AND WEEK/YEAR DATE CODE TO BE PRINTED ON THE SIDE OF COMPLETED CAGE ASSEMBLY APPROXIMATELY AS SHOWN

| WEEK/YEAR DATE CODE TABLE |   |
|---------------------------|---|
| WK                        | WEEK 01 THRU 52 OR 53 EXAMPLE: 01 = FIRST WEEK OF YEAR 52 = LAST WEEK OF YEAR |
| YR                        | 22, 23, 24 ETC. EXAMPLE: YEAR 2022 = 22                                       |

|  |  |  |                          |                                     |                                     |  |                               |
|--|--|--|--------------------------|-------------------------------------|-------------------------------------|--|-------------------------------|
| FUNCTIONAL SYMBOLS<br>$\nabla_A = 0$<br>$\nabla_C = 0$<br>$\nabla_P = 0$ | THIS DRAWING CONTAINS INFORMATION THAT IS PROPRIETARY TO MOLEX ELECTRONIC TECHNOLOGIES, LLC AND SHOULD NOT BE USED WITHOUT WRITTEN PERMISSION<br>DIMENSION UNITS: <b>mm</b><br>SCALE: <b>2:1</b> | CURRENT REV DESC: SEE REVISION TABLE<br>EC NO: 707262<br>DRWN: SKRISHNAMURT<br>CHK'D: TKUMARKC<br>APPR: SCHIEN |                          |                                     |                                     |  |                               |
|  | GENERAL TOLERANCES (UNLESS SPECIFIED)<br>ANGULAR TOL $\pm 1.0^\circ$   | 2022/04/11<br>2022/05/25<br>2022/05/27   |                          |                                     |                                     | SFP+ 1X1 CAGE ASSY PRESS FIT TYPE, W/ SUS SPRING FINGR, CUTOUT 3.4 & HEATSINKS<br>PRODUCT CUSTOMER DRAWING |                               |
|  | DIVISIONAL SYMBOLS<br>4 PLACES $\pm$<br>3 PLACES $\pm$<br>2 PLACES $\pm 0.13$<br>1 PLACE $\pm 0.25$<br>0 PLACES $\pm$  | INITIAL REVISION:<br>DRWN: SKRISHNAMURT<br>APPR: SCHIEN  | 2022/04/11<br>2022/05/27 | DOCUMENT NUMBER<br><b>111128122</b> | DOC TYPE<br><b>PSD</b>              | DOC PART<br><b>ASY</b>   | REVISION<br><b>A</b>          |
|  | DRAFT WHERE APPLICABLE MUST REMAIN WITHIN DIMENSIONS   | THIRD ANGLE PROJECTION<br>   | DRAWING<br><b>C-SIZE</b> | SERIES<br><b>111112</b>             | MATERIAL NUMBER<br><b>111128122</b> | CUSTOMER   | SHEET NUMBER<br><b>2 OF 5</b> |

|                 |    |              |            |          |
|-----------------|----|--------------|------------|----------|
| DOCUMENT STATUS | P1 | RELEASE DATE | 2022/05/27 | 10:20:27 |
|-----------------|----|--------------|------------|----------|

# PCB LAYOUT FOR SINGLE SIDE MOUNT



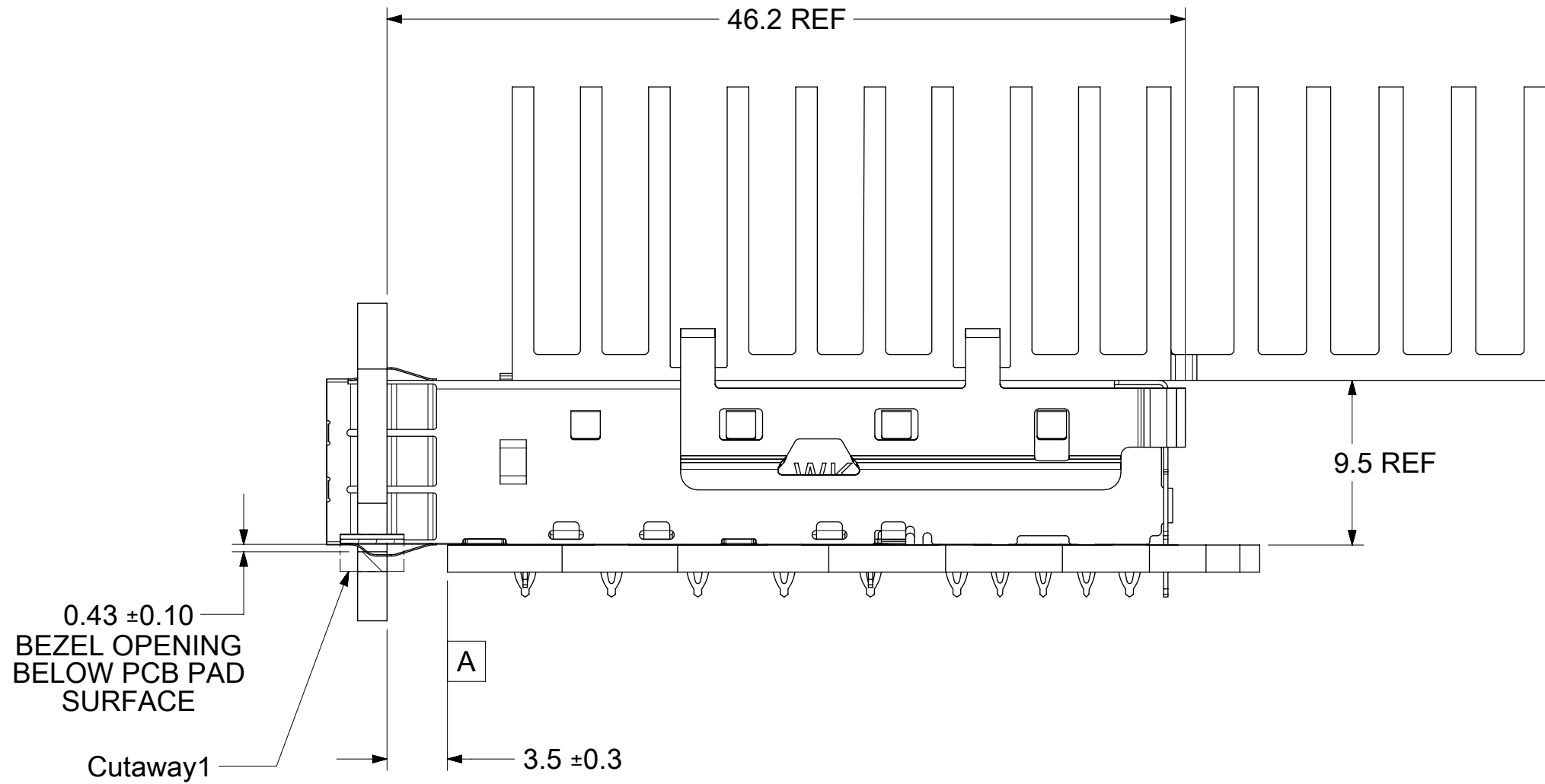
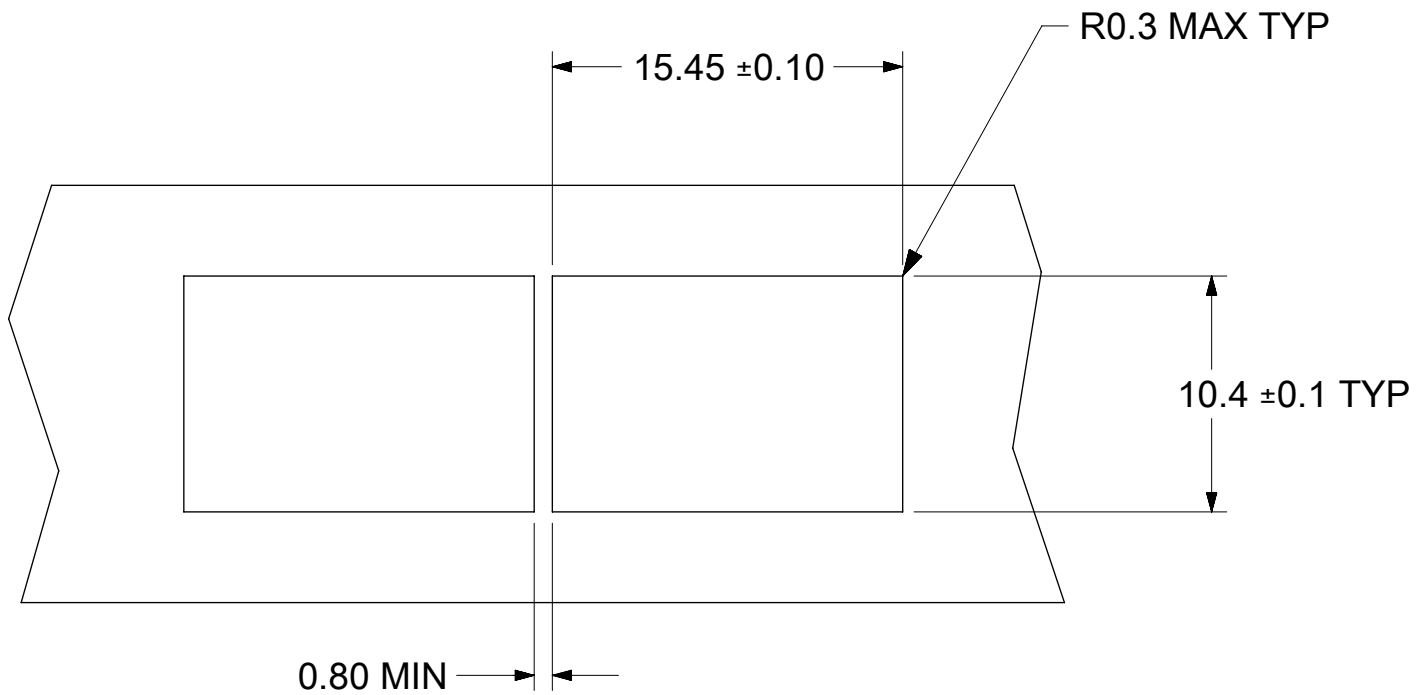
DETAIL 1  
SCALE 7:1  
HOST CONNECTOR DETAIL

- NOTES:
1. PADS AND VIAS CONNECT TO CHASSIS GROUND (RECOMMEND PADS TO BE 2.00mm SQUARE)
  2. RECOMMENDED THRU HOLE PLATING INCLUDES HASL, OSP, OR IMMERSION (GOLD, SILVER, OR TIN).
  3. CONNECTOR PAD LAYOUT PER SFP+ MSA WILL ACCOMMODATE MOLEX CONNECTOR SERIES 74441 OR EQUIVALENT.

|  |   |                            |                                      |                      |   |
|--|---|----------------------------|--------------------------------------|----------------------|---|
| FUNCTIONAL SYMBOLS                                   | THIS DRAWING CONTAINS INFORMATION THAT IS PROPRIETARY TO MOLEX ELECTRONIC TECHNOLOGIES, LLC AND SHOULD NOT BE USED WITHOUT WRITTEN PERMISSION |                            | CURRENT REV DESC: SEE REVISION TABLE |                      |   |
|  | DIMENSION UNITS   | SCALE                      | EC NO: 707262                        |                      |   |
|  | mm  | 3:1                        | DRWN: SKRISHNAMURT                   | 2022/04/11           |   |
|  | GENERAL TOLERANCES (UNLESS SPECIFIED)   |                            | CHK'D: TKUMARKC                      | 2022/05/25           |   |
| DIVISIONAL SYMBOLS                                   | ANGULAR TOL ± 1.0°  |                            | APPR: SCHIEN                         | 2022/05/27           | PRODUCT CUSTOMER DRAWING<br>DOCUMENT NUMBER: 111128122<br>DOC TYPE: PSD<br>DOC PART: ASY<br>REVISION: A |
|  | 4 PLACES  | ±                          | INITIAL REVISION:                    |                      |   |
|  | 3 PLACES  | ±                          | DRWN: SKRISHNAMURT                   | 2022/04/11           |   |
|  | 2 PLACES  | ± 0.13                     | APPR: SCHIEN                         | 2022/05/27           |   |
| 1 PLACE  | ± 0.25  | MATERIAL NUMBER: 111128122 |                                      | SHEET NUMBER: 3 OF 5 |   |
| 0 PLACES   | ±   | CUSTOMER: 111128122        |                                      |                      |   |
| DRAFT WHERE APPLICABLE MUST REMAIN WITHIN DIMENSIONS |   | THIRD ANGLE PROJECTION     | DRAWING: C-SIZE                      | SERIES: 111112       |   |



# BEZEL AND BOARD POSITION DIMENSIONS FOR SINGLE SIDE MOUNTING (SPRING FINGER)



|  |   |                               |   |
|--|---|-------------------------------|---|
| FUNCTIONAL SYMBOLS                                   | THIS DRAWING CONTAINS INFORMATION THAT IS PROPRIETARY TO MOLEX ELECTRONIC TECHNOLOGIES, LLC AND SHOULD NOT BE USED WITHOUT WRITTEN PERMISSION |                               |   |
|  | DIMENSION UNITS   | SCALE                         | CURRENT REV DESC: SEE REVISION TABLE  |
| $\frac{F}{A} = 0$                                    | mm  | 3:1                           | <b>molex</b><br>SFP+ 1X1 CAGE ASSY PRESS FIT TYPE,<br>W/ SUS SPRING FINGR, CUTOUT 3.4 & HEATSINKS<br>PRODUCT CUSTOMER DRAWING |
| $\frac{F}{C} = 0$                                    | GENERAL TOLERANCES (UNLESS SPECIFIED)   |                               |   |
| $\frac{F}{P} = 0$                                    | ANGULAR TOL ± 1.0°  |                               |   |
| DIVISIONAL SYMBOLS                                   | 4 PLACES  | ±                             | EC NO: 707262   |
|  | 3 PLACES  | ±                             | DRWN: SKRISHNAMURT 2022/04/11   |
|  | 2 PLACES  | ± 0.13                        | CHK'D: TKUMARKC 2022/05/25  |
|  | 1 PLACE   | ± 0.25                        | APPR: SCHIEN 2022/05/27   |
| 0 PLACES   | ±   | INITIAL REVISION:             | DOCUMENT NUMBER   |
|  |   | DRWN: SKRISHNAMURT 2022/04/11 | 111128122   |
|  |   | APPR: SCHIEN 2022/05/27       | PSD ASY A   |
| DRAFT WHERE APPLICABLE MUST REMAIN WITHIN DIMENSIONS | THIRD ANGLE PROJECTION  | DRAWING                       | SERIES  |
|  |   | C-SIZE                        | 111112  |
|  |   | MATERIAL NUMBER               | CUSTOMER  |
|  |   | 111128122                     |   |
|  |   | SHEET NUMBER                  |   |
|  |   | 4 OF 5                        |   |

