

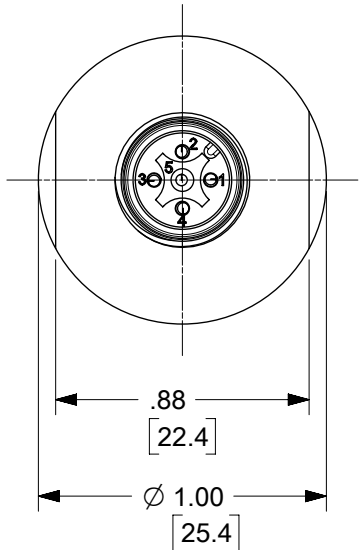
CABLE LENGTH TOLERANCES
 <.3M [1FT]: +19mm-0 [+ .75in-0]
 .3 - .9M [1 - 3FT]: +44.5mm-0 [+1.75in-0]
 .9 - 1.8M [3 - 6FT]: +55.6mm-0 [+2.19in-0]
 1.8 - 3.7M [6 - 12FT]: +88.9mm-0 [+3.50in-0]
 3.7 - 7.3M [12 - 24FT]: +165.1mm-0 [+6.50in-0]
 7.3-14.6M [24 - 48FT]: +317.5mm-0 [+12.50in-0]
 14.6 - 30.5M [48-100FT]: +622.3mm-0 [+24.50in-0]
 OVER 30M [100FT] +2% OF FINISHED LENGTH

PART NUMBER LEGEND
WR4006A18C3008
 4 = 4 POLE
 5 = 5 POLE

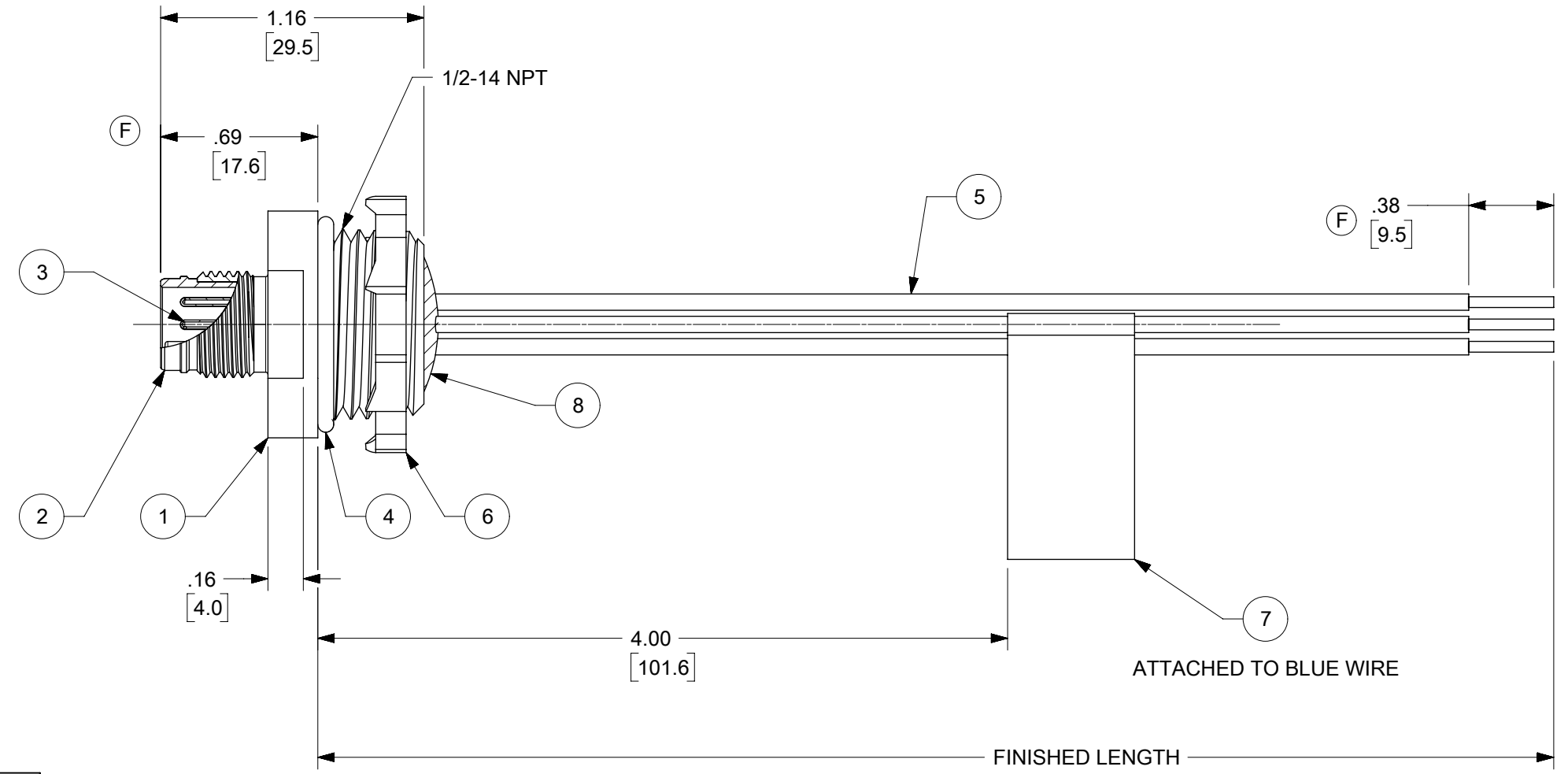
PART NO.	ENGINEERING NO.	FINISHED LENGTH
1200840008	WR4006A18C300	30 cm (11.8 IN.)
1200840017	WR5006A18C300	30 cm (11.8 IN.)
1200840021	WR4006A18C3008	30 cm (11.8 IN.)
1200840034	WR5006A18M010	1M (3FT 3IN.)

BLANK = NICKEL PLATED BRASS
 **8 = PASSIVATED 316 STAINLESS STEEL
 C300 = 30 CENTIMETERS
 M005 = .5 METER
 M010 = 1 METER
 M100 = 10 METERS

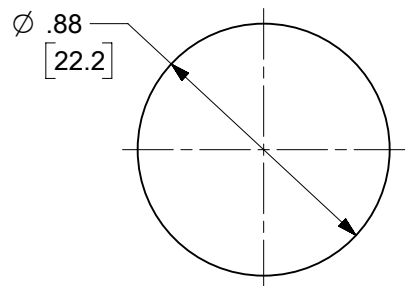
- | | |
|---|---|
| 1- BROWN
2 -WHITE
3-BLUE
4-BLACK | 1- BROWN
2 -WHITE
3-BLUE
4-BLACK
5-GREY |
|---|---|



- NOTES:**
 1. MATERIAL: AS NOTED
 2. FINISH: AS NOTED
 3. ELECTRICAL:
 VOLTAGE: 250V
 CURRENT: 4A
 4. TEMP RATING: -25°TO +80°C
 5. PROTECTION: IP67 (WHEN MATED)
 6. COUPLING THREAD: M12 X 1
 7. CSA RECOGNIZED PER FILE: LR6837
 8. ALL DIMS ARE FOR REFERENCE
 UNLESS TOLERANCED OR NOTED OTHERWISE



8	POTTING MATERIAL	EPOXY	BLACK
7	FLAG LABEL	VINYL	BLACK/YELLOW
6	LOCKNUT	STEEL	ZINC PLATED
5	WIRE, 22 AWG UL 1061	PVC INSULATION	SEE FACE VIEW
4	O-RING SEAL	BUNA-N	BLACK
3	CONTACT, PIN	COPPER ALLOY	GOLD PLATED
2	MALE INSERT	NYLON	BLACK
1	RECEPTACLE SHELL	SEE P/N MATRIX	SEE P/N MATRIX
ITEM	DESCRIPTION	MATERIAL	FINISH/COLOR



REF. PANEL CUTOUT

THIS DRAWING CONTAINS INFORMATION THAT IS PROPRIETARY TO MOLEX ELECTRONIC TECHNOLOGIES, LLC AND SHOULD NOT BE USED WITHOUT WRITTEN PERMISSION											
FUNCTIONAL SYMBOLS	DIMENSION UNITS	SCALE	CURRENT REV DESC: UPDATE TO MATCH MFG ASSY. CORRECT LENGTH TOL CHART, .69 WAS .67, UPDATE BORDER								
$\nabla A = 0$	mm	2:1	<p>molex</p> <p>MICRO-CHANGE ULTRA-LOCK RECEPTACLE 4 & 5 POLE FRONT MOUNT, 1/2NPT, 22 AWG</p> <p>PRODUCT CUSTOMER DRAWING</p> <p>DOCUMENT NUMBER: SD-120084-028 DOC TYPE: PSD DOC PART: 001 REVISION: F</p>								
$\nabla E = 0$	GENERAL TOLERANCES (UNLESS SPECIFIED)										
$\nabla F = 0$	ANGULAR TOL ± °										
DIVISIONAL SYMBOLS	3 PLACES ±										
	2 PLACES ± 0.05		EC NO: 666687 DRWN: RSTONE 2021/06/09								
	1 PLACE ± 0.1		CHK'D: ALEON01 2021/06/16								
	0 PLACES ±		APPR: BWOODMAN 2021/06/18								
DRAFT WHERE APPLICABLE MUST REMAIN WITHIN DIMENSIONS			THIRD ANGLE PROJECTION			DRAWING			SERIES		
			B-SIZE			120084			MATERIAL NUMBER		
						SEE P/N LEGEND			CUSTOMER		
						GENERAL MARKET			SHEET NUMBER		
									1 OF 1		