

TABLE 1

MOLEX P/N	ENG. NO.	LED
1202510088	BKB4030-FBB	NO
1202510089	BKB403P-FBB	YES
1202510090	BKB403N-FBB	YES

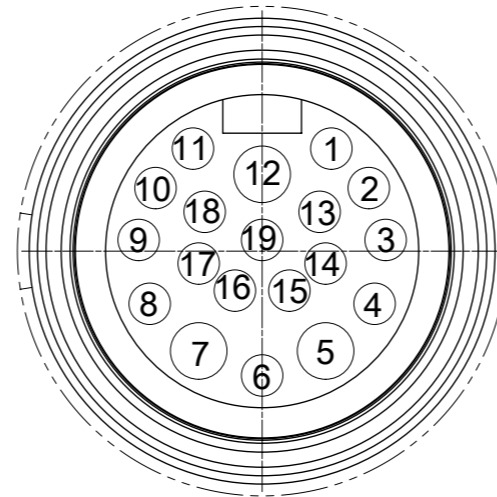
TABLE 2 BILL OF MATERIAL

ITEM	DESCRIPTION	MATERIAL	FINISH
1	LABEL	ABS	WHITE
2	SHELL	BRASS	NICKEL PLATED
3	CONTACT	BRASS	GOLD OVER NICKEL
4	CONTACT	BRONZE	GOLD OVER NICKEL
5	O-RING	FPM	RED
6	LED	NO LED = PA	BLACK
		WITH LED = PA	TRANSPARENT
7	SHELL	BRASS	NICKEL PLATED
8	HOUSING	PBT	BLACK

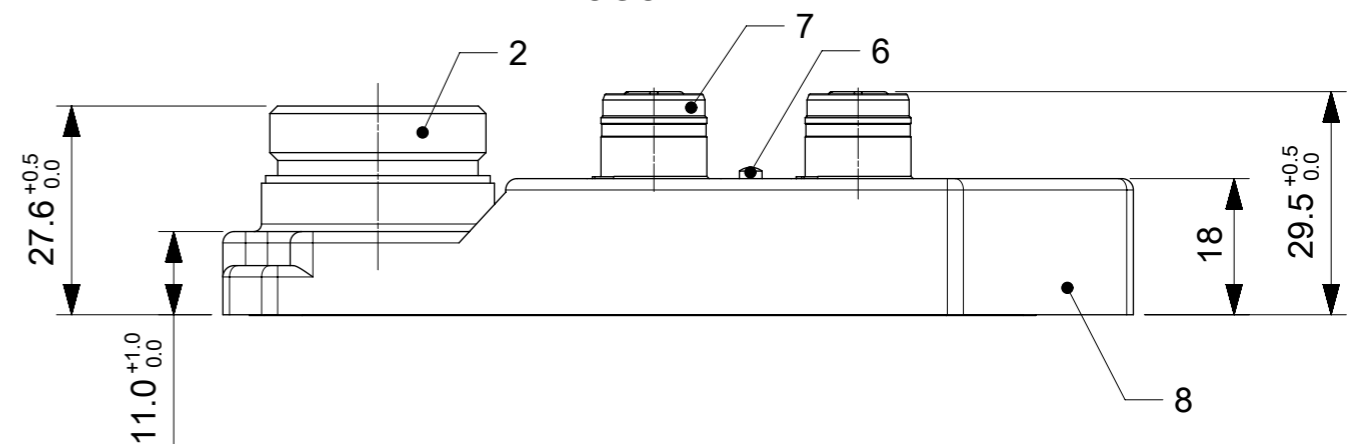
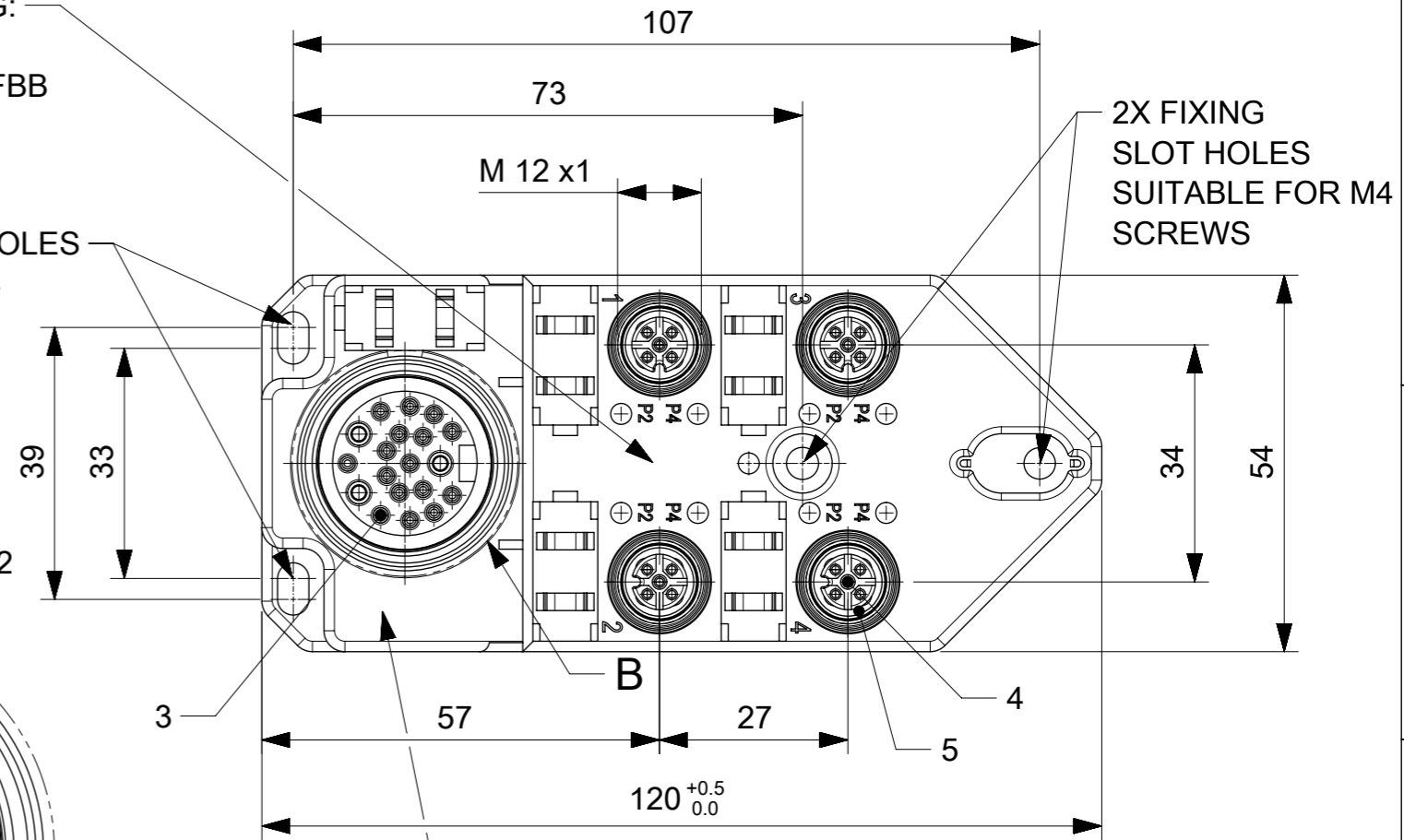
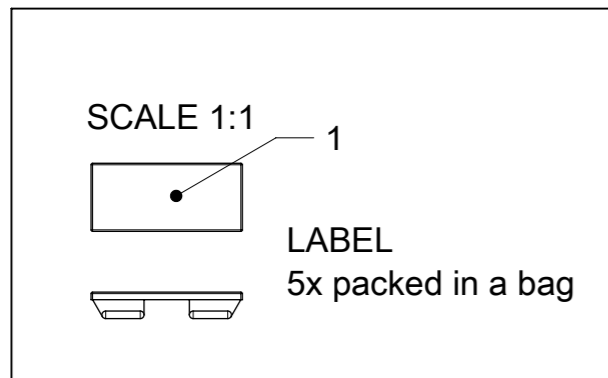
LASER PRINTING:  
 PN: 120251XXXX  
 ENG.: BKB403X-FBB  
 PO: XXXXXXXXX

2X FIXING SLOT HOLES  
 SUITABLE FOR M4  
 SCREWS

NOTE - PINS 5, 6, 7, 8 & 12  
 NOT USED



DETAIL B  
 SCALE 2:1

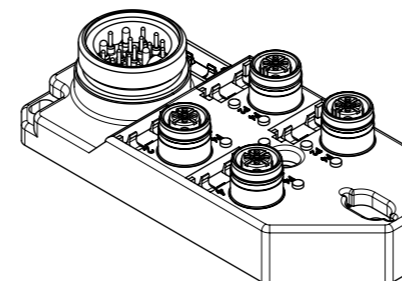


LASER PRINTING  
 BRAD LOGO

GENERAL CHARACTERISTICS:

ELECTRICAL AND MECHANICAL DATA ACC. TO IEC 61076-2-101

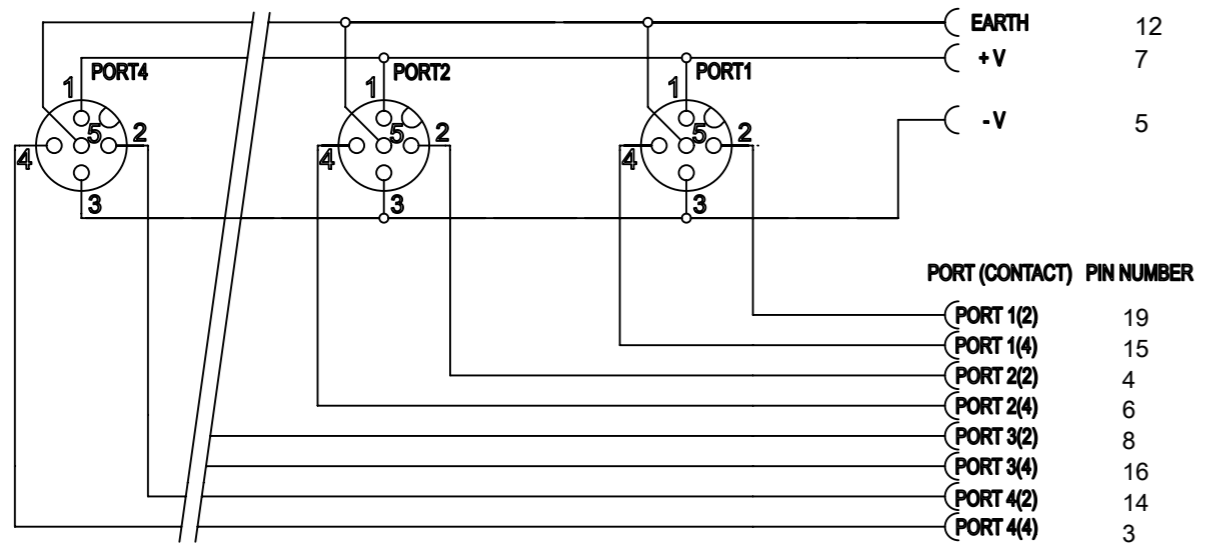
NOMINAL VOLTAGE: 10-30 V DC  
 AMPERE RATING: 4 A PER PORT / 12 A MAX  
 AMPERE RATING WITH UL REGISTRATION: 3 A PER PORT / 9 A MAX  
 IP DEGREE OF PROTECTION: IP 67  
 TEMPERATURE RANGE: -25°C to + 85°C



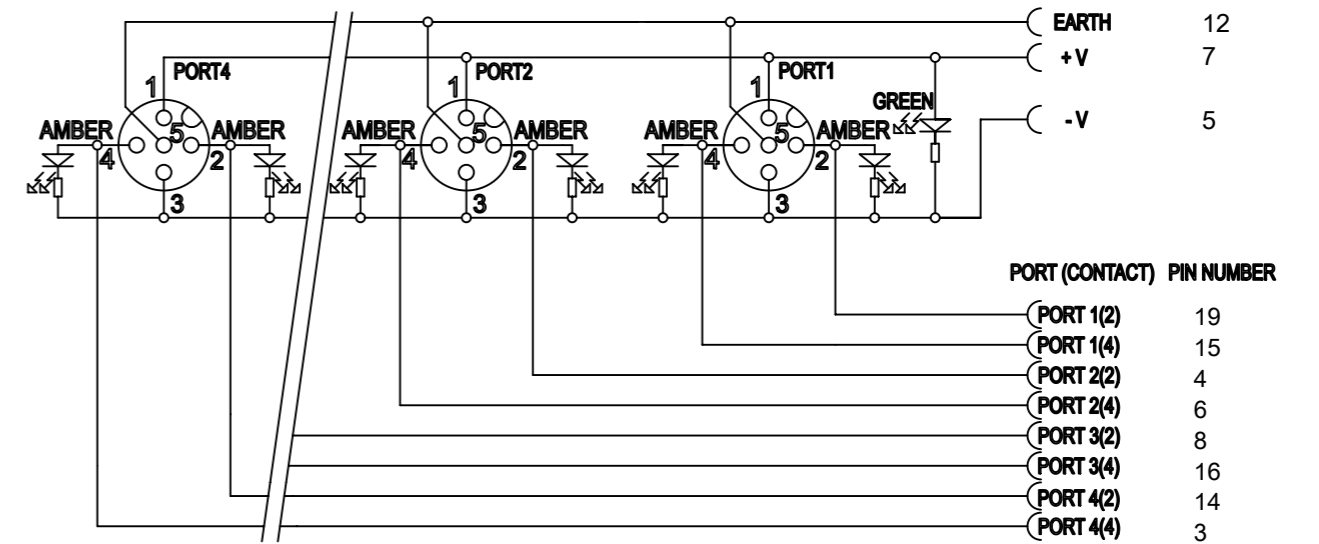
SCALE  
 1:2

SYMBOLS		THIS DRAWING CONTAINS INFORMATION THAT IS PROPRIETARY TO MOLEX ELECTRONIC TECHNOLOGIES, LLC AND SHOULD NOT BE USED WITHOUT WRITTEN PERMISSION	
DIMENSION UNITS	SCALE	CURRENT REV DESC:	
mm	1:1	<b>molex</b> MPIS U12 NON 5P 4PT MINI CHANGE BK DUAL PRODUCT CUSTOMER DRAWING	
GENERAL TOLERANCES (UNLESS SPECIFIED)			
ANGULAR TOL	± 1.0°		
4 PLACES	±		
3 PLACES	±		
2 PLACES	± 0.05	EC NO: 630686 DRWN: SSM 2019/01/02 CHK'D: RSILLER 2020/01/17 APPR: RSILLER 2020/01/17	
1 PLACE	± 0.3	INITIAL REVISION: DRWN: SSM 2019/01/02 APPR: RSILLER 2020/01/17	
0 PLACES	± 0.5	DOCUMENT NUMBER: 1202510088 DOC TYPE: PSD DOC PART: 000 REVISION: A	
DRAFT WHERE APPLICABLE MUST REMAIN WITHIN DIMENSIONS		THIRD ANGLE PROJECTION	DRAWING: A3-SIZE
		SERIES: 120251	MATERIAL NUMBER: SEE TABLE 1
		CUSTOMER: GENERAL MARKET	SHEET NUMBER: 1 OF 2

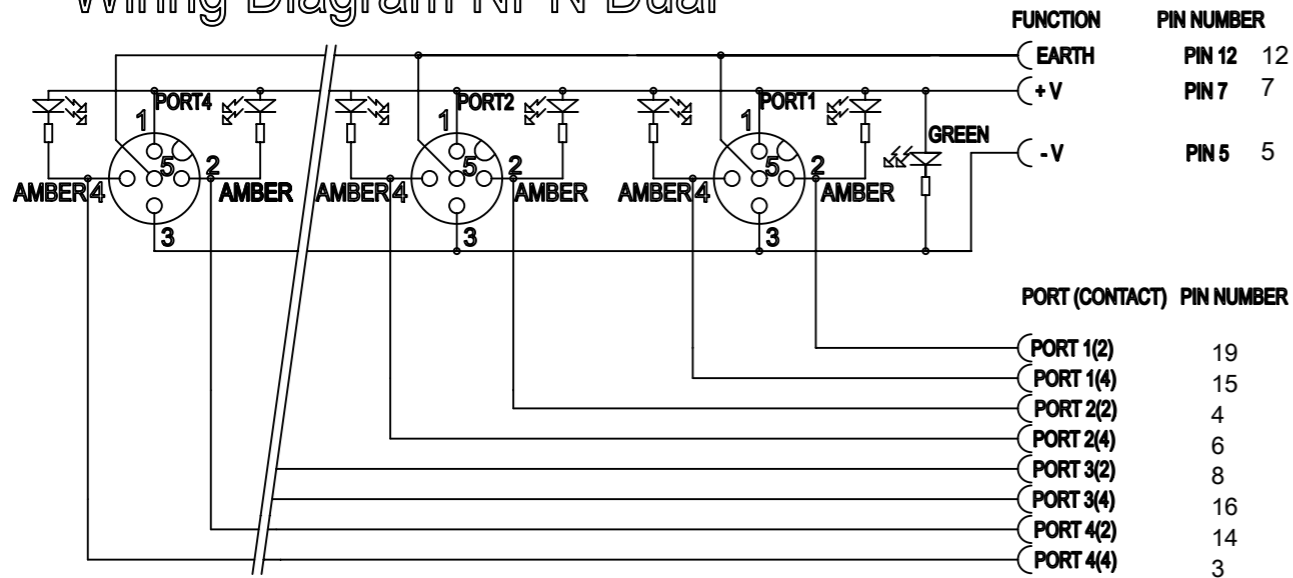
### Wiring Diagram NON LED



### Wiring Diagram PNP



### Wiring Diagram NPN Dual



SYMBOLS	THIS DRAWING CONTAINS INFORMATION THAT IS PROPRIETARY TO MOLEX ELECTRONIC TECHNOLOGIES, LLC AND SHOULD NOT BE USED WITHOUT WRITTEN PERMISSION		CURRENT REV DESC:			<b>molex</b>		
	DIMENSION UNITS	SCALE						
▽ = 0	mm	1:1	EC NO: 630686			PRODUCT CUSTOMER DRAWING		
▽ = 0	GENERAL TOLERANCES (UNLESS SPECIFIED)		DRWN: SSM 2019/01/02			DOCUMENT NUMBER		
▽ = 0	ANGULAR TOL ± 1.0°		CHK'D: RSILLER 2020/01/17			DOC TYPE DOC PART REVISION		
▽ = 0	4 PLACES ±		APPR: RSILLER 2020/01/17			1202510088 PSD 000 A		
▽ = 0	3 PLACES ±		INITIAL REVISION:			MATERIAL NUMBER CUSTOMER		
▽ = 0	2 PLACES ± 0.05		DRWN: SSM 2019/01/02			SEE TABLE 1 GENERAL MARKET		
▽ = 0	1 PLACE ± 0.3		APPR: RSILLER 2020/01/17			SHEET NUMBER		
▽ = 0	0 PLACES ± 0.5		THIRD ANGLE PROJECTION		DRAWING	SERIES	2 OF 2	
■ = 0	DRAFT WHERE APPLICABLE MUST REMAIN WITHIN DIMENSIONS		A3-SIZE		120251			