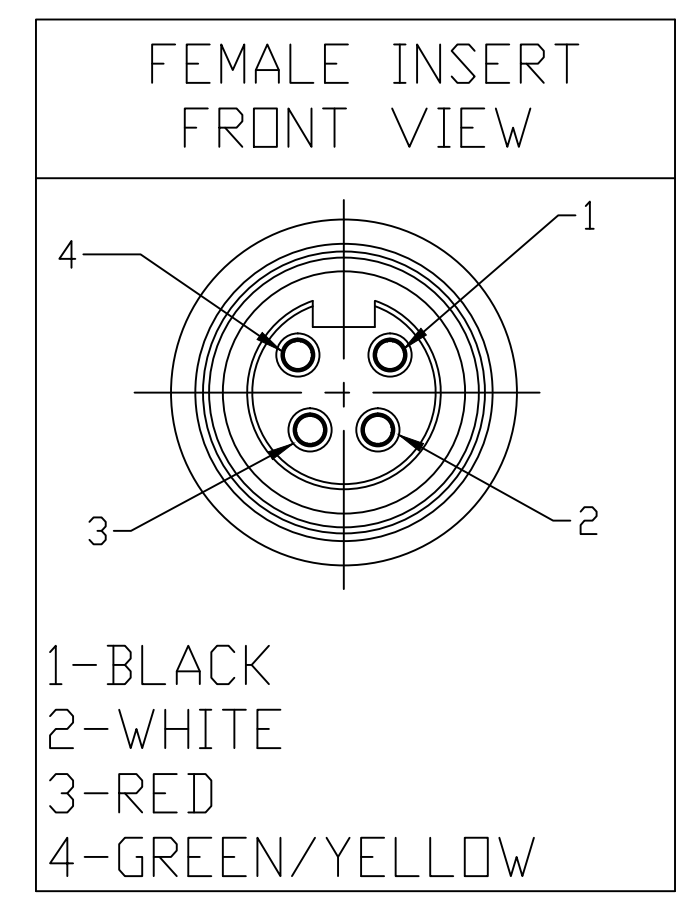
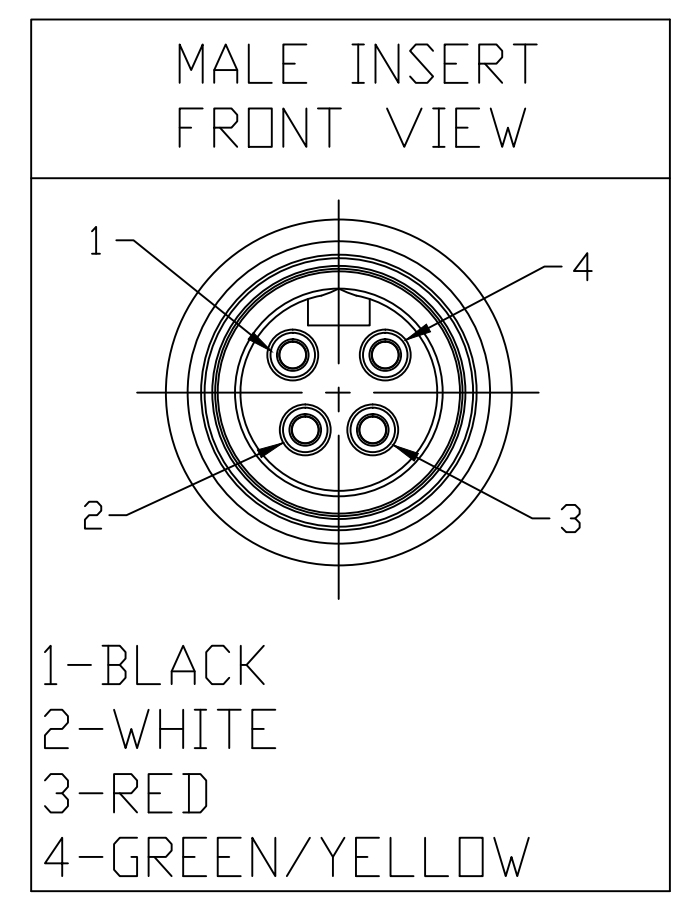


1	BLACK	1
2	WHITE	2
3	RED	3
4	GREEN/YELLOW	4

WIRING DIAGRAM



114030A46M020

Cable type
14/4 AWG TC/ST00W
Gray PVC

cable length
M020----2 Meter
M100----10 Meter

PART NUMBER MATRIX

CONTACT:	GOLD/NICKEL OVER COPPER ALLOY
INSERT:	PVC, BLACK
COUPLING NUT:	ZINC DIE CAST, BLACK E-COATED
MOLDED BODY:	PVC, GRAY
VOLTAGE RATING:	600 VAC/VDC
AMPERAGE RATING:	15 AMPS
PROTECTION:	IP67
OPERATING TEMPERATURE:	-20°C TO 105°C
CERTIFICATIONS:	UL & CULUS LISTED, FILE NO. E258922

CHANGE OVERMOLD STYLE EC NO.: IPG2017-0361 DRWN: TWOLDEGE 10/3/16 CHKD: M ZIELIN 2016/09/27 APPR: BWOODMAN2013/08/14	QUALITY SYMBOL ▽=0 C=0	GENERAL TOLERANCES (UNLESS SPECIFIED)		DIMENSION STYLE IN/MM		SCALE ---	DESIGN UNITS INCH	THIRD ANGLE PROJECTION		
			mm	INCH	DRAWN BY EBRACKEN	DATE 2013/06/18	TITLE MINI-CHANGE ASSEMBLY 4 POLE M/MFE #14/4 GRAY PVC			
		4 PLACES	±---	±---	CHECKED BY RSTONE		DATE ---			
		3 PLACES	±---	±---	APPROVED BY BWOODMAN		DATE 2013/08/14		DOCUMENT NO. SD-130062-017	
			2 PLACES	±0.13	±.01	MATERIAL NO. SEE CHART				
			1 PLACE	±0.3	±---	THIS DRAWING CONTAINS INFORMATION THAT IS PROPRIETARY TO MOLEX INCORPORATED AND SHOULD NOT BE USED WITHOUT WRITTEN PERMISSION				
			ANGULAR ±.5°							
			DRAFT WHERE APPLICABLE MUST REMAIN WITHIN DIMENSIONS							