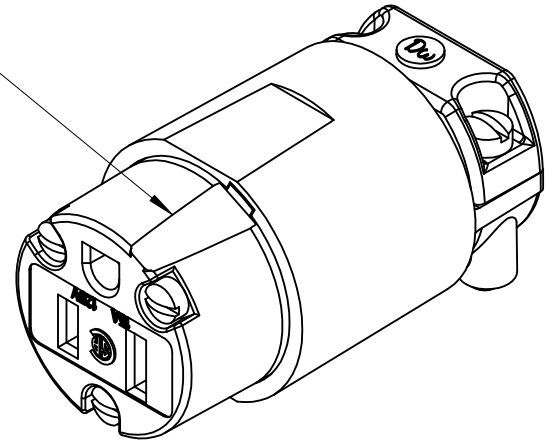
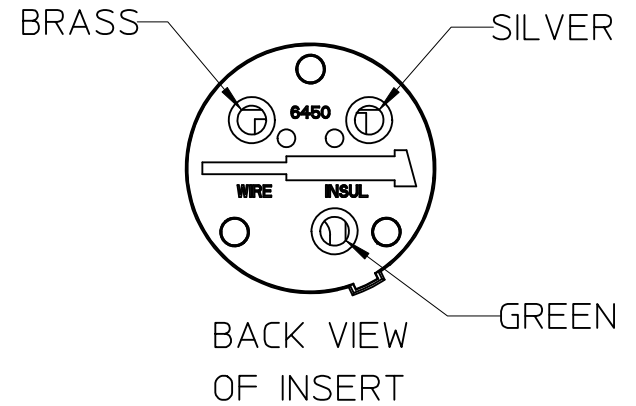
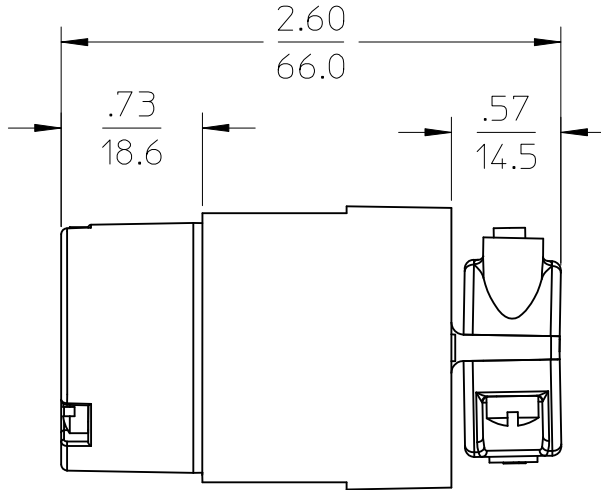
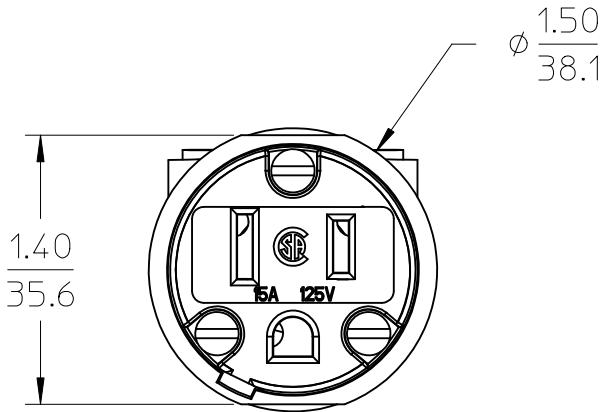


KEY REMOVED



MATERIAL #	ENGINEERING#
1301440093	85547HHG



<b>CUSTOMER DRAWING</b> EC NO: WNA2010-0804 DRWN:HKNEELAND 2010/06/30 CH'KD:CYORK 2010/07/20 APPR:DTITUS 2010/07/23	QUALITY SYMBOLS ▽=0 ▽=0	GENERAL TOLERANCES (UNLESS SPECIFIED) <table border="1"> <thead> <tr> <th></th> <th>mm</th> <th>INCH</th> </tr> </thead> <tbody> <tr> <td>4 PLACES</td> <td>± .---</td> <td>± .---</td> </tr> <tr> <td>3 PLACES</td> <td>± .---</td> <td>± .005</td> </tr> <tr> <td>2 PLACES</td> <td>± 0.13</td> <td>± .010</td> </tr> <tr> <td>1 PLACE</td> <td>± 0.25</td> <td>± .020</td> </tr> </tbody> </table>		mm	INCH	4 PLACES	± .---	± .---	3 PLACES	± .---	± .005	2 PLACES	± 0.13	± .010	1 PLACE	± 0.25	± .020	DIMENSION STYLE IN/MM	SCALE 1:1	DESIGN UNITS INCH	THIRD ANGLE PROJECTION
		mm	INCH																		
	4 PLACES	± .---	± .---																		
	3 PLACES	± .---	± .005																		
2 PLACES	± 0.13	± .010																			
1 PLACE	± 0.25	± .020																			
		DRAFT WHERE APPLICABLE MUST REMAIN WITHIN DIMENSIONS	DRAWN BY HKNEELAND	DATE 2010/06/30	TITLE HOSPITAL GRADE NEMA 5-15 CONNECTOR MODIFIED FOR HOLLISTER																
			CHECKED BY CYORK	DATE 2010/07/20																	
			APPROVED BY DTITUS	DATE 2010/07/23	MOLEX INCORPORATED																
			MATERIAL NO. 85547HHG	DOCUMENT NO. SD-130144-004	SHEET NO. 1 OF 1																