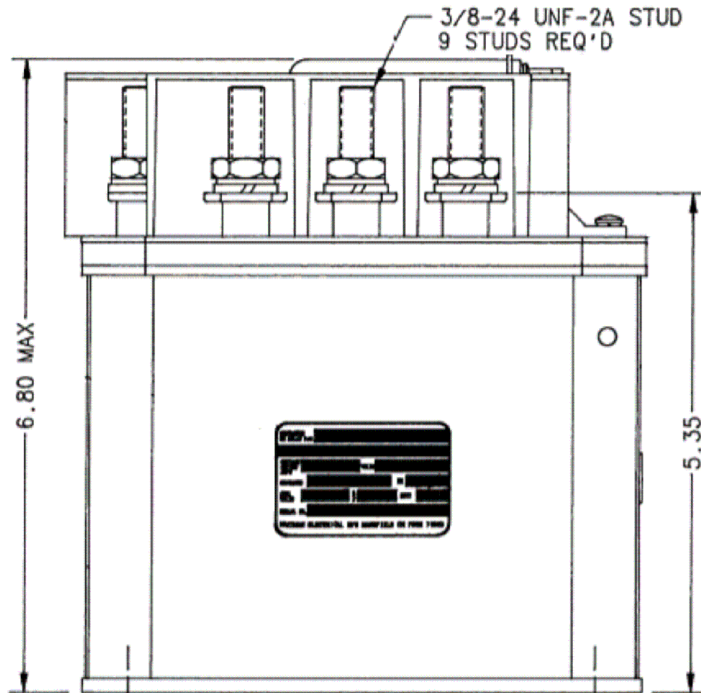
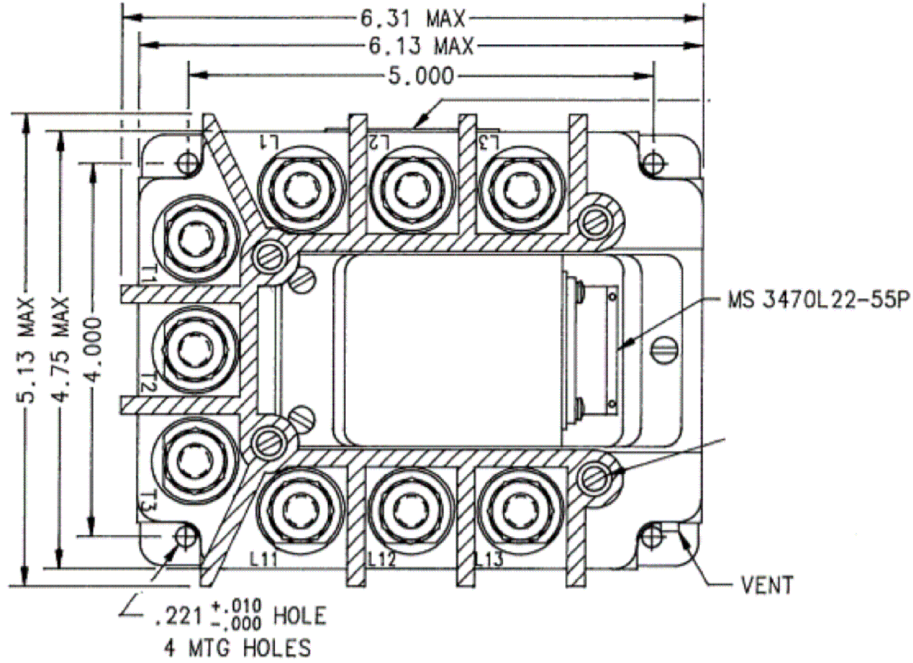


B-461D
 A.C. POWER CONTACTOR
 175-250 AMP
 TPDT CENTER OFF

REVISIONS

REV.	ECO	DESCRIPTION	DATE	APPROVED
M	30313	FIND NO 4 WASHER-LOCK NO 6 INT WAS SPLIT	22MAY1996	RSS



ALL DIMENSIONS ARE IN INCHES



TE CONNECTIVITY
 175 N. DIAMOND STREET MANSFIELD,
 OHIO 44902

TITLE

A.C. POWER CONTACTOR
 175-250 AMP
 TPDT CENTER OFF

TE P.N.

1616045-4

DWG NO.

B-461D

DS

DATA SHEET

CAGE CODE
 74063

SCALE
 NONE

SHEET
 1 OF 2

REV
 M

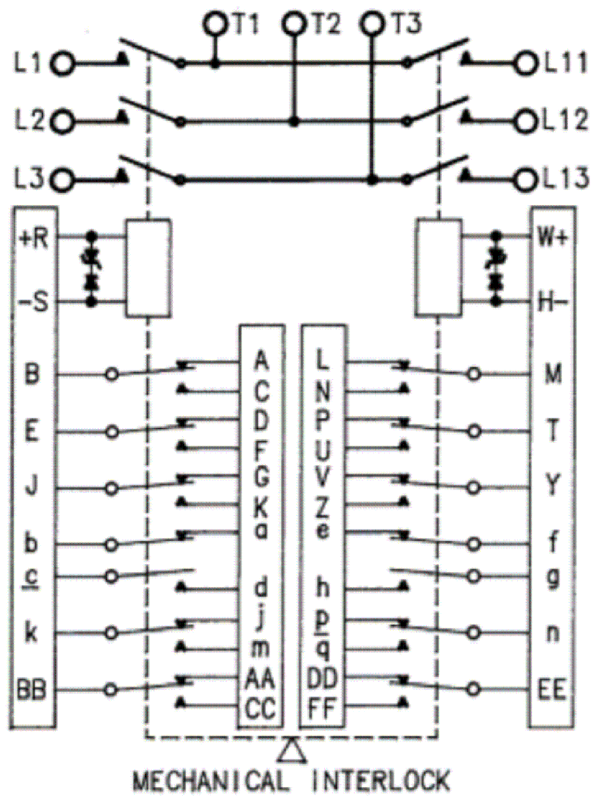
GENERAL SPECIFICATION

FAA/PMA

NOTES:

1. THIS UNIT MEETS THE MATERIAL AND WORKMANSHIP REQUIREMENTS OF MIL-R-6106
2. KEYWAY POSITIONED TOWARDS TOP OF CONNECTOR
3. COIL TRANSIENT VOLTAGE LIMITED TO $\pm 42V$ MAX
4. DIODES TO BE JANTX 1000 PIV

SCHEMATIC



TE
 TE CONNECTIVITY
 175 N, DIAMOND STREET MANSFIELD,
 OHIO 44902

TITLE
 A.C. POWER CONTACTOR
 175-250 AMP
 TPDT CENTER OFF

TE P.N.
 1616045-4

DWG NO.
 B-461D

DS DATA SHEET

CAGE CODE
 74063

SCALE
 NONE

SHEET
 2 OF 2

REV
 M