

LEGEND

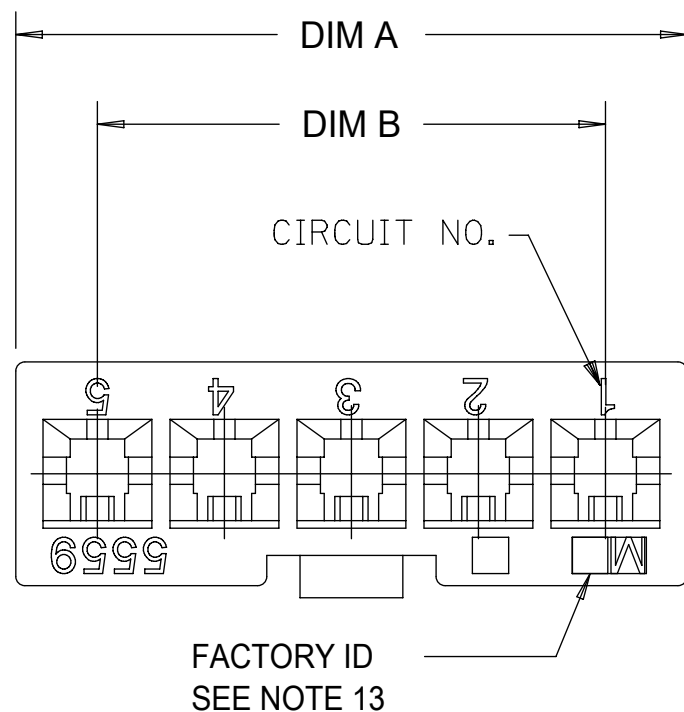
172646-*** **

SERIES NO

CIRCUIT SIZE (04-05)

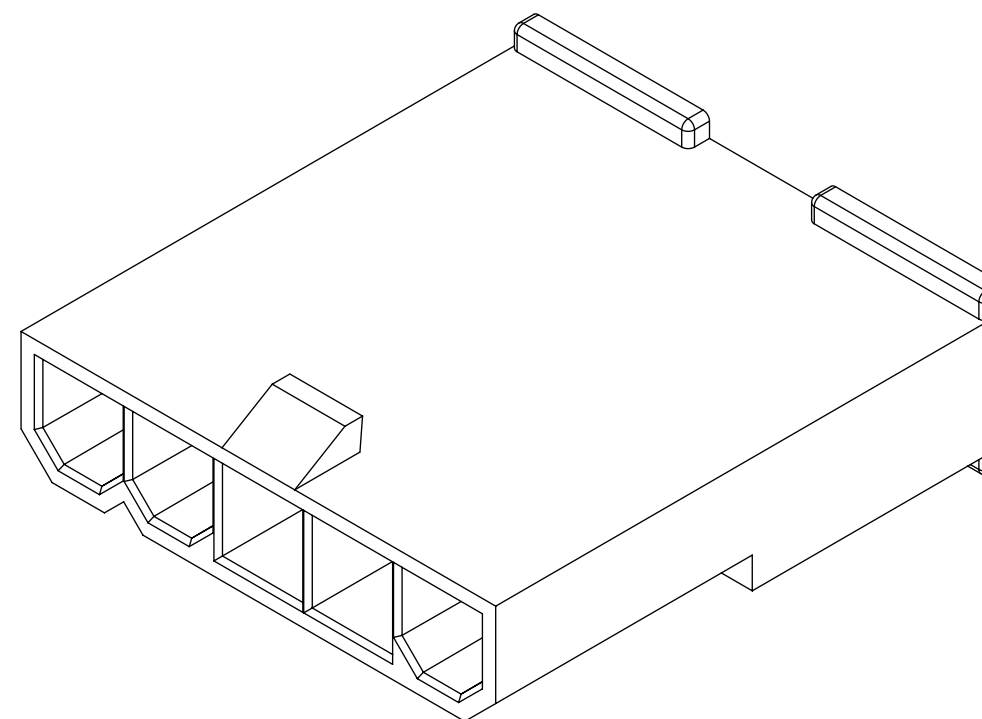
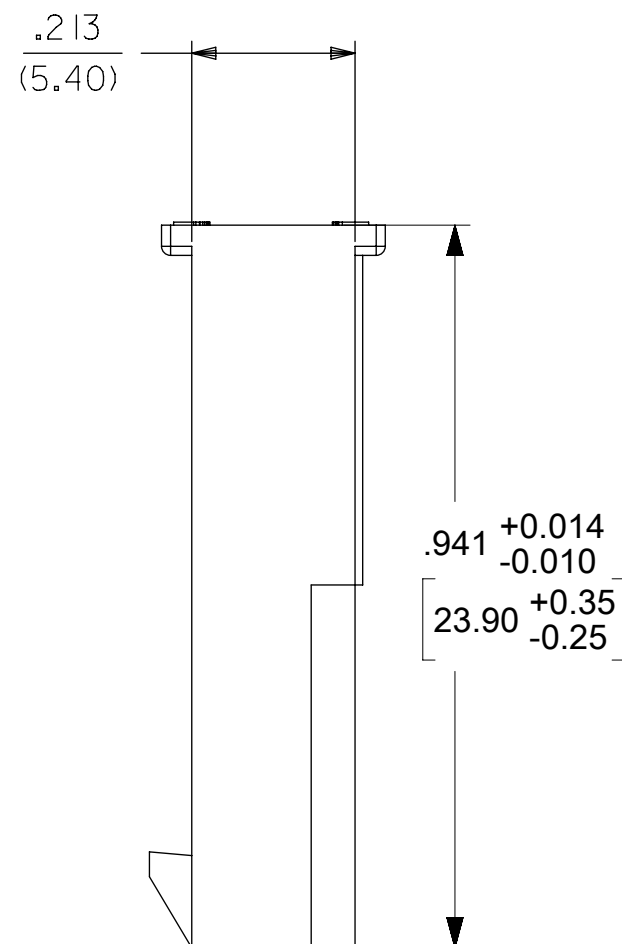
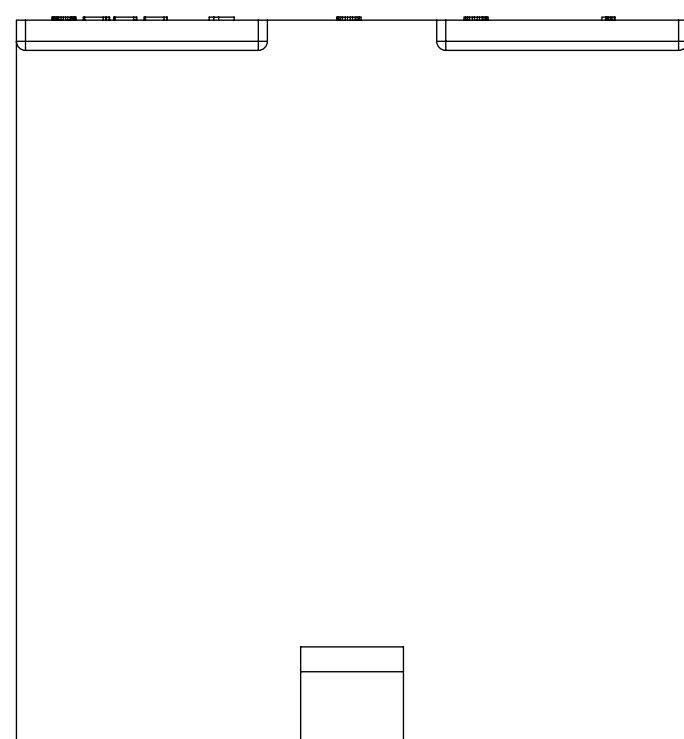
MATERIAL OPTION: SEE NOTE 1

MOUNTING AND LOCK OPTION:
2=WITH EARS, SINGLE ROW
3=WITHOUT EARS, SINGLE ROW



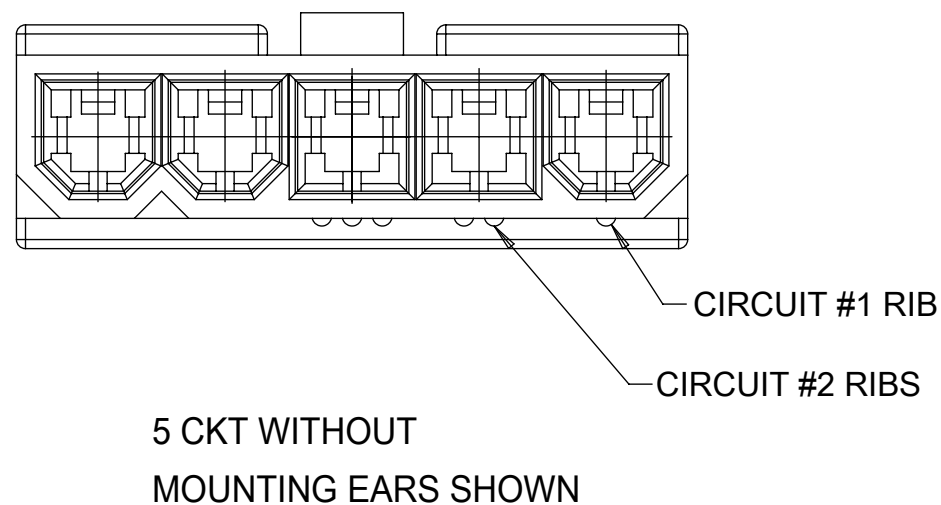
MATERIAL NUMBER	MOUNTING OPTION	COLOR	CKT SIZE	DIM A	DIM B	DIM C	DIM D
172646-0212	W/EARS	BLACK	2	.378	.165	.394	.591
172646-0213	NO EARS			(9.60)	(4.20)	(10.00)	(15.00)
172646-0412	W/EARS		4	.709	.496	.724	.921
172646-0413	NO EARS			(18.00)	(12.60)	(18.40)	(23.40)
172646-0512	W/EARS		5	.874	.661	.890	1.087
172646-0513	NO EARS			(22.20)	(16.80)	(22.60)	(27.60)
172646-0612	W/EARS	6	1.039	.827	1.055	1.252	
172646-0613	NO EARS		(26.40)	(21.00)	(26.80)	(31.80)	
172646-0202	W/EARS	NATURAL (BEIGE)	2	.378	.165	.394	.591
172646-0203	NO EARS			(9.60)	(4.20)	(10.00)	(15.00)
172646-0402	W/EARS		4	.709	.496	.724	.921
172646-0403	NO EARS			(18.00)	(12.60)	(18.40)	(23.40)
172646-0502	W/EARS		5	.874	.661	.890	1.087
172646-0503	NO EARS			(22.20)	(16.80)	(22.60)	(27.60)
172646-0602	W/EARS	6	1.039	.827	1.055	1.252	
172646-0603	NO EARS		(26.40)	(21.00)	(26.80)	(31.80)	

X = NOT TOOLED

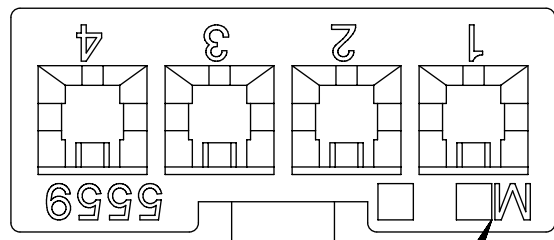


NOTES:

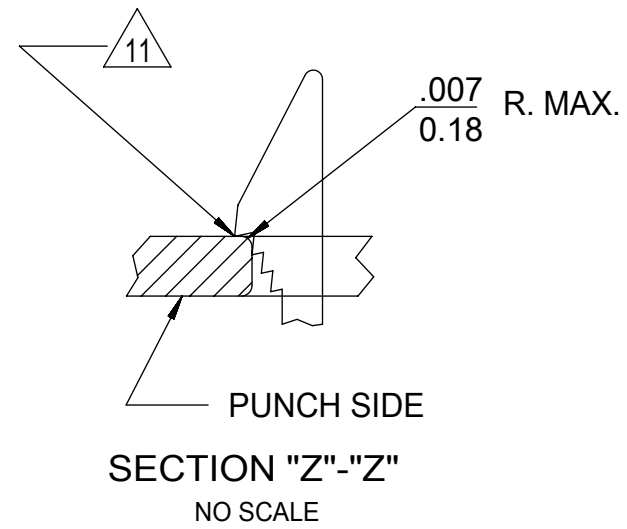
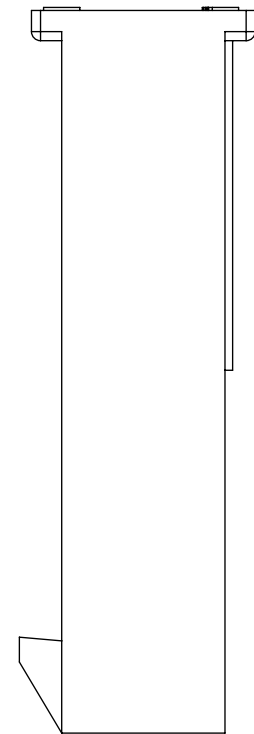
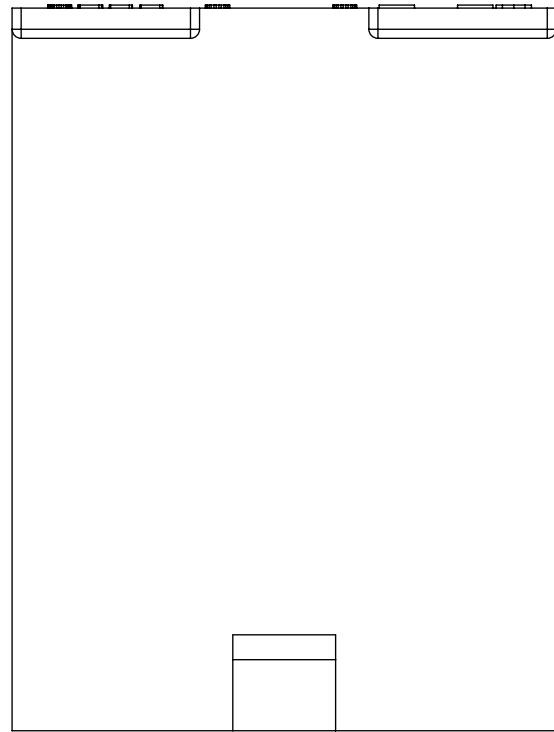
- MATERIAL:
"0" = NYLON, UL94V-2, COLOR: NATURAL (BEIGE); IEC 60335-1, 5th EDITION GLOW WIRE CAPABLE.
"1" = NYLON, UL94V-2, COLOR: BLACK; IEC 60335-1, 5th EDITION GLOW WIRE CAPABLE.
- FINISH: NOT APPLICABLE
- PRODUCT SPECIFICATION: PS-5556-001
- PACKAGING: BULK PER PK-5559-003
- PART MATES WITH MOLEX RECEPTACLE #46994.
- PART TO BE USED WITH MOLEX MALE TERMINAL #5558.
- PART IS NOT DESIGNED FOR CURRENT SHARING.
- CONNECTORS ARE NOT TO BE MATED OR UNMATED WHILE CIRCUITS ARE LIVE.
- WIRES ARE TO BE DRESSED IN SUCH A MANNER TO ALLOW THE TERMINALS TO FLOAT FREELY IN THE POCKET.
- PANEL MOUNT VERSION IS FOR USE WITH .031-.079(0.80/2.00) THICK PANELS.
- PANEL SHOULD BE PUNCHED IN THE DIRECTION OF CONNECTOR INSERTION.
- PART CONFORMS TO CLASS "B" REQUIREMENTS OF COSMETIC SPECIFICATION PS-45499-002 WITH THE EXCEPTION OF DISCOLORATION, FLASH AND SINK MEET CLASS "C" REQUIREMENTS.
- FACTORY ID MAY BE LOCATED ON EARS.



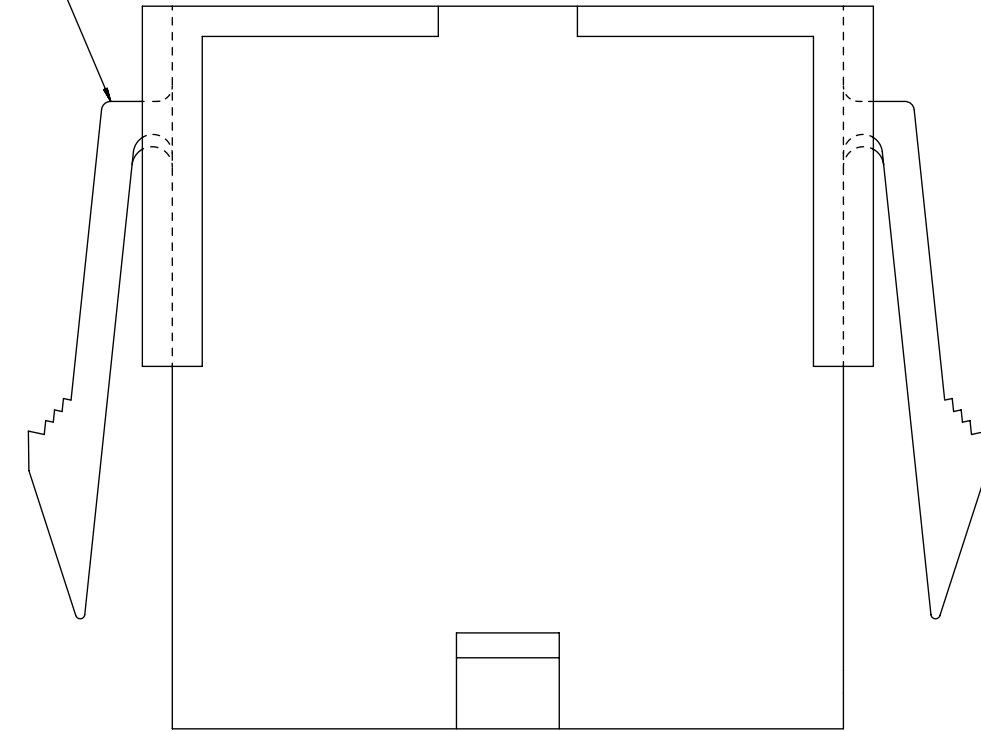
<p>QUALITY SYMBOLS</p> <p>▽ = 0</p> <p>▽ = 0</p> <p>▽ = 0</p> <p>▽ = 0</p> <p>▽ = 0</p> <p>▽ = 0</p> <p>▽ = 0</p> <p>▽ = 0</p> <p>▽ = 0</p> <p>▽ = 0</p>	THIS DRAWING CONTAINS INFORMATION THAT IS PROPRIETARY TO MOLEX ELECTRONIC TECHNOLOGIES, LLC AND SHOULD NOT BE USED WITHOUT WRITTEN PERMISSION				<p>DIMENSION UNITS</p> <p>SCALE</p> <p>IN/MM</p> <p>4:1</p>		<p>molex</p> <p>MINI-FIT JR. SERIES PLUG SINGLE ROW (GLOW WIRE)</p>																					
	<p>GENERAL TOLERANCES (UNLESS SPECIFIED)</p> <table border="1"> <tr> <th></th> <th>MM</th> <th>INCH</th> </tr> <tr> <td>4 PLACES</td> <td>±</td> <td>±</td> </tr> <tr> <td>3 PLACES</td> <td>±</td> <td>± 0.01</td> </tr> <tr> <td>2 PLACES</td> <td>± 0.25</td> <td>± 0.015</td> </tr> <tr> <td>1 PLACES</td> <td>± 0.38</td> <td>±</td> </tr> <tr> <td>0 PLACES</td> <td>±</td> <td>±</td> </tr> </table>			MM	INCH	4 PLACES					±	±	3 PLACES	±	± 0.01	2 PLACES	± 0.25	± 0.015	1 PLACES	± 0.38	±	0 PLACES	±	±	<p>DRWN BY</p> <p>DATE</p> <p>NNGUYEN 2013/04/11</p>		<p>CHK'D BY</p> <p>DATE</p> <p>JBELL 2013/04/11</p>	
		MM	INCH																									
	4 PLACES	±	±																									
3 PLACES	±	± 0.01																										
2 PLACES	± 0.25	± 0.015																										
1 PLACES	± 0.38	±																										
0 PLACES	±	±																										
<p>ADD TOL TO (E-7) DIM</p> <p>EC NO: 107626</p> <p>DRWN: CSLAFTER</p> <p>CHKD: JBELL</p> <p>REV APPR: FSMITH</p>		<p>APPR BY</p> <p>DATE</p> <p>FSMITH 2014/05/16</p>		<p>DRAWING SIZE</p> <p>THIRD ANGLE PROJECTION</p> <p>C</p>		<p>DOCUMENT NUMBER</p> <p>SD-172646-0000</p>		<p>DOC TYPE</p> <p>PSD</p>		<p>DOC PART</p> <p>000</p>		<p>SHEET NUMBER</p> <p>1 OF 2</p>																



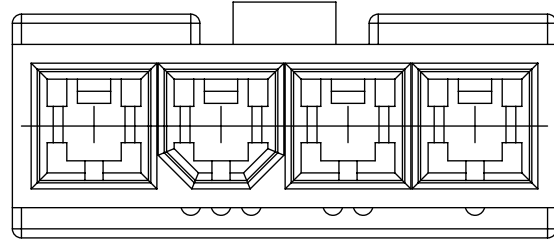
FACTORY ID
SEE NOTE 13



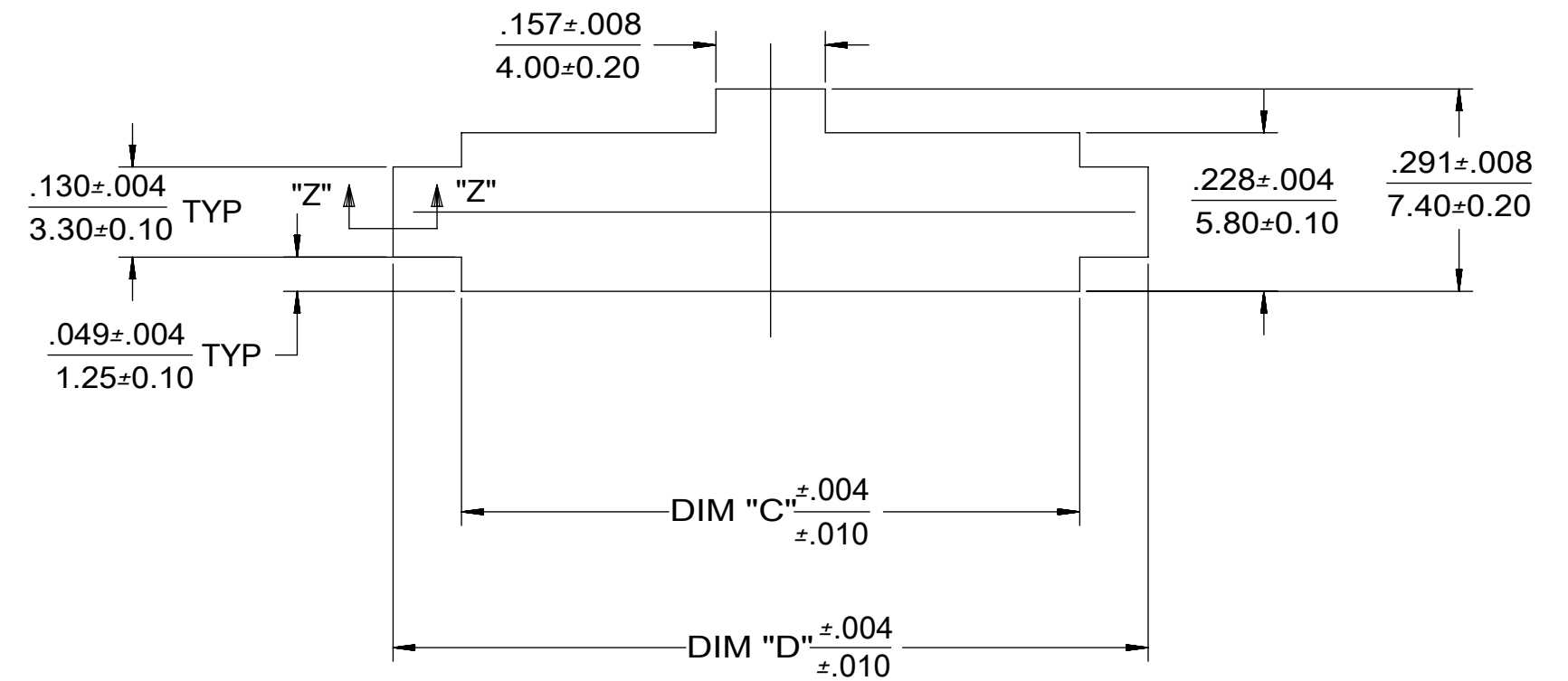
SEE NOTE 13



WITH MOUNTING EARS



4 CKT WITHOUT
MOUNTING EARS SHOWN



RECOMMENDED PANEL CUT-OUT
(SEE NOTE 10 & 11)

QUALITY SYMBOLS	THIS DRAWING CONTAINS INFORMATION THAT IS PROPRIETARY TO MOLEX ELECTRONIC TECHNOLOGIES, LLC AND SHOULD NOT BE USED WITHOUT WRITTEN PERMISSION									
	ADD TOL TO (E-7) DIM EC NO: 107626 DRWN: CSLAFTER CHKD: JBELL REV APPR: FSMITH	GENERAL TOLERANCES (UNLESS SPECIFIED)				DIMENSION UNITS		SCALE		
MM		INCH		IN/MM		1:1				
4 PLACES ±		±		DRWN BY		DATE		MINI-FIT JR. SERIES PLUG SINGLE ROW (GLOW WIRE)		
3 PLACES ±		± 0.01		NNGUYEN		2013/04/11				
2 PLACES ±		± 0.25 ± 0.015		CHK'D BY		DATE		PRODUCT CUSTOMER DRAWING		
1 PLACES ±		± 0.38 ±		JBELL		2013/04/11				
0 PLACES ±		±		APPR BY		DATE		SERIES MATERIAL NUMBER CUSTOMER 172646 SEE SHEET 1 GENERAL MARKET		
ANGULAR TOL = 0.5		DRAFTING SIZE		FSMITH		2014/05/16				
DRAFT WHERE APPLICABLE MUST REMAIN WITHIN DIMENSIONS		THIRD ANGLE PROJECTION		C				DOCUMENT NUMBER DOC TYPE DOC PART SHEET NUMBER SD-172646-0000 PSD 000 2 OF 2		