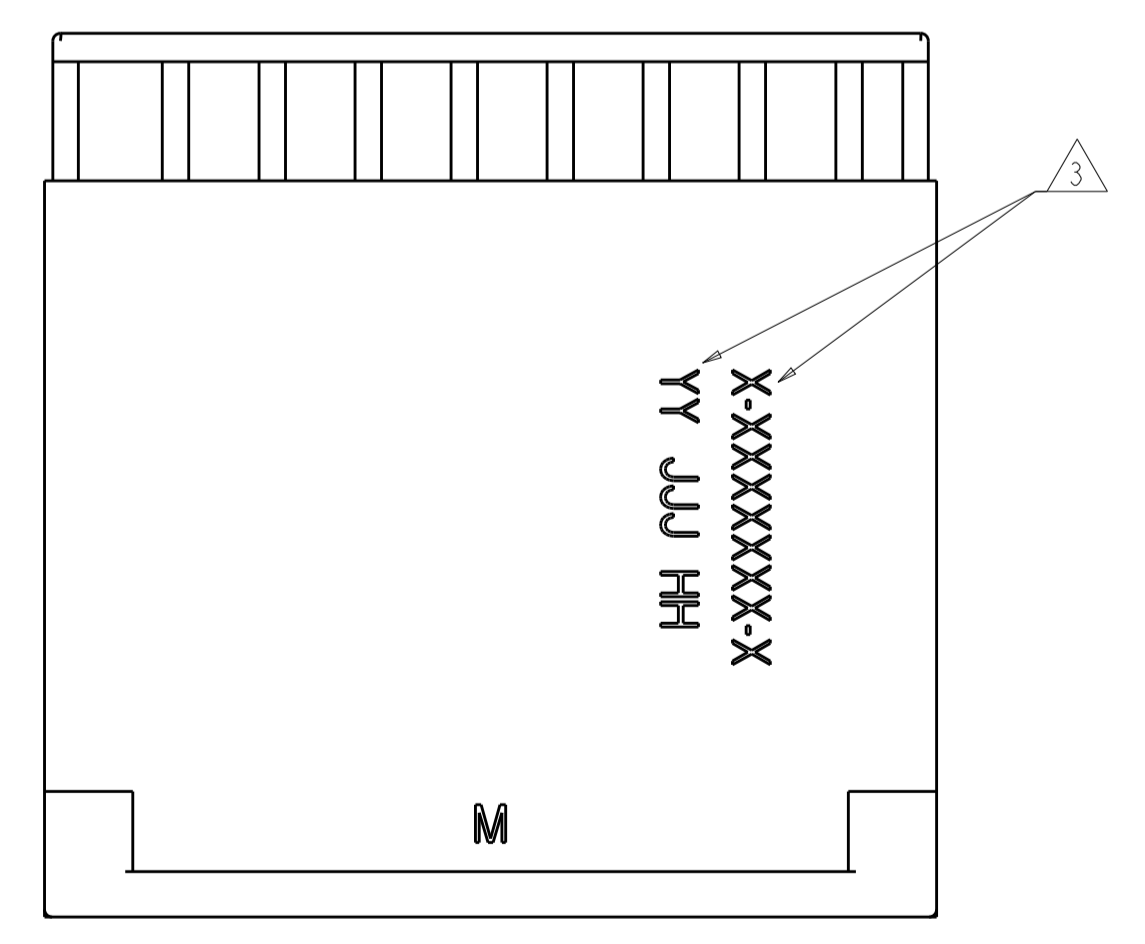
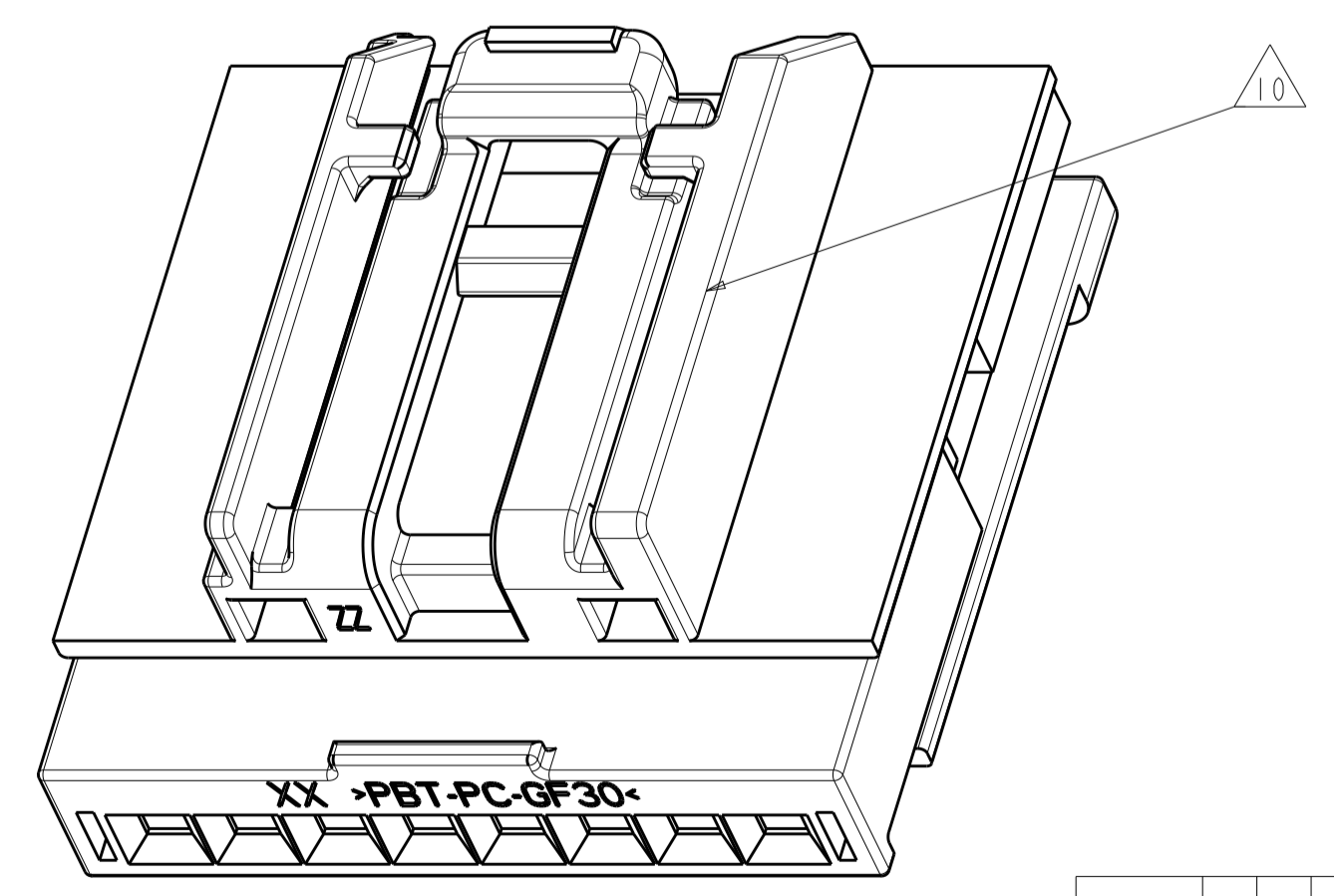
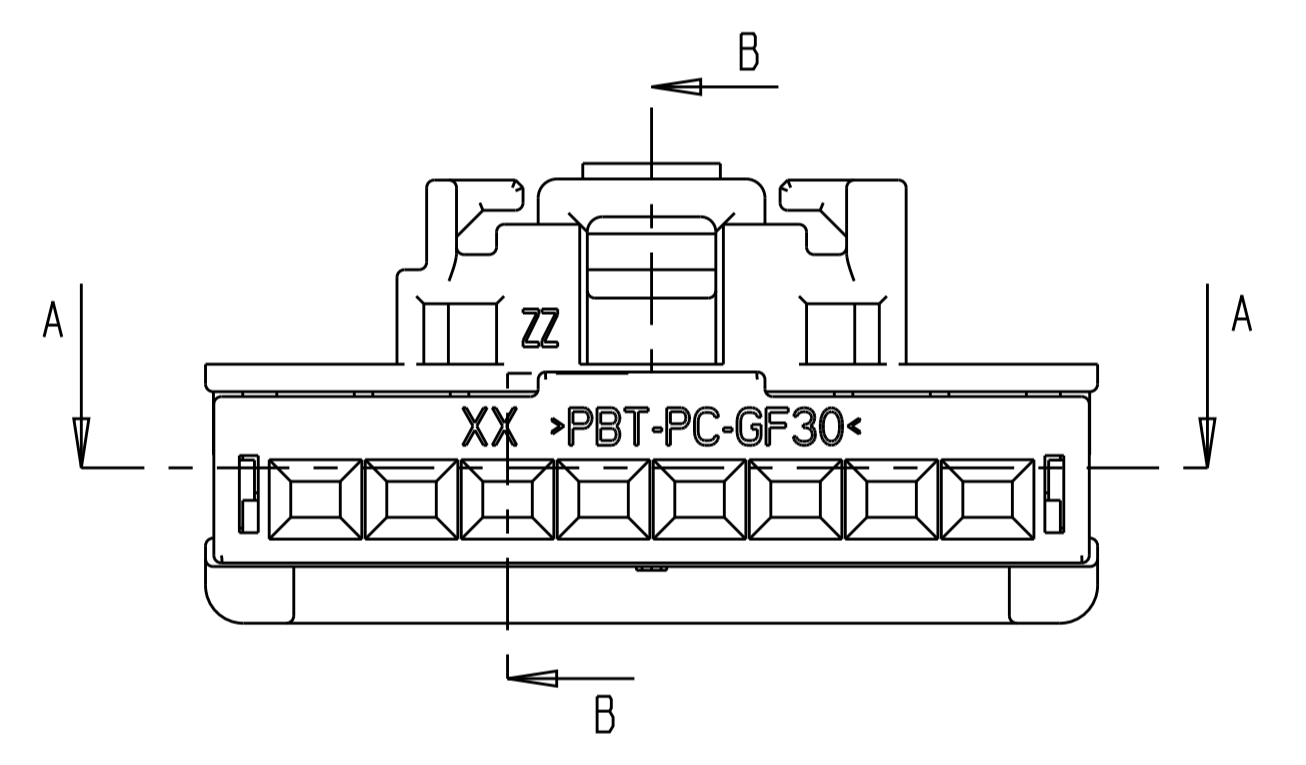
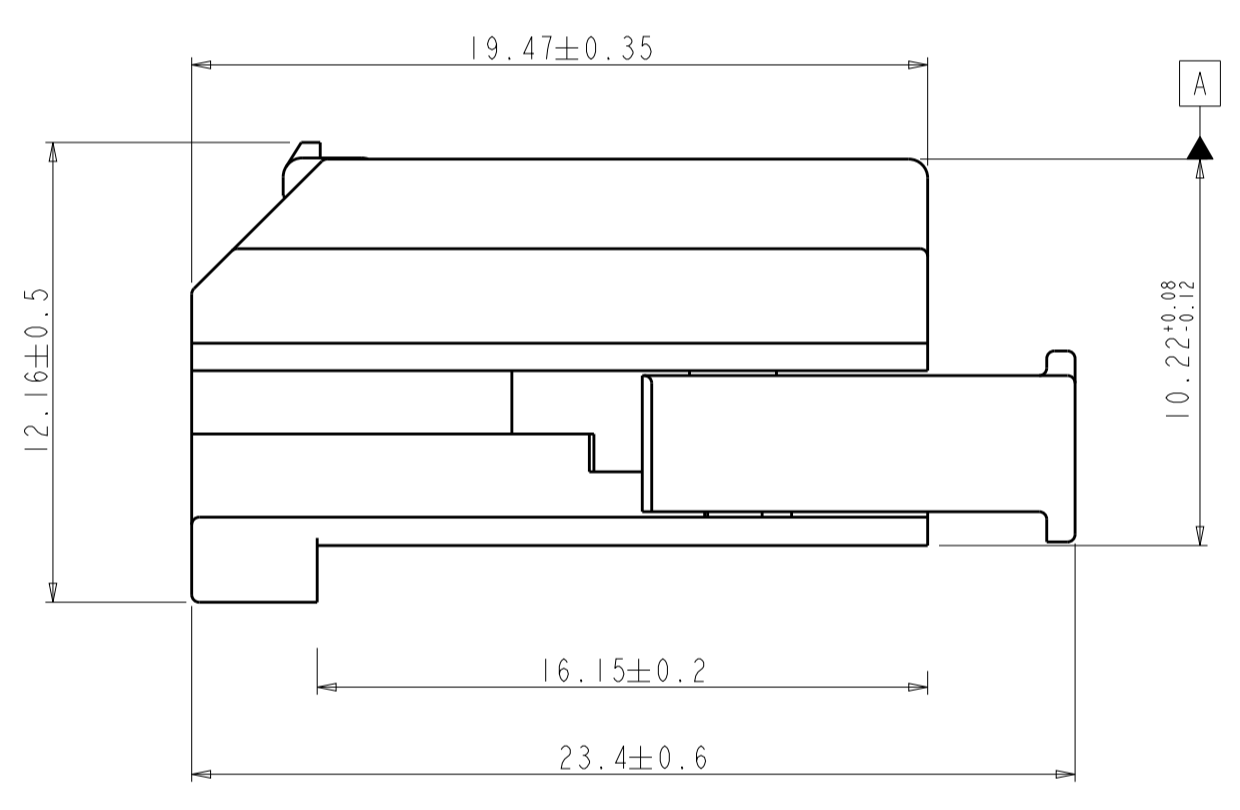
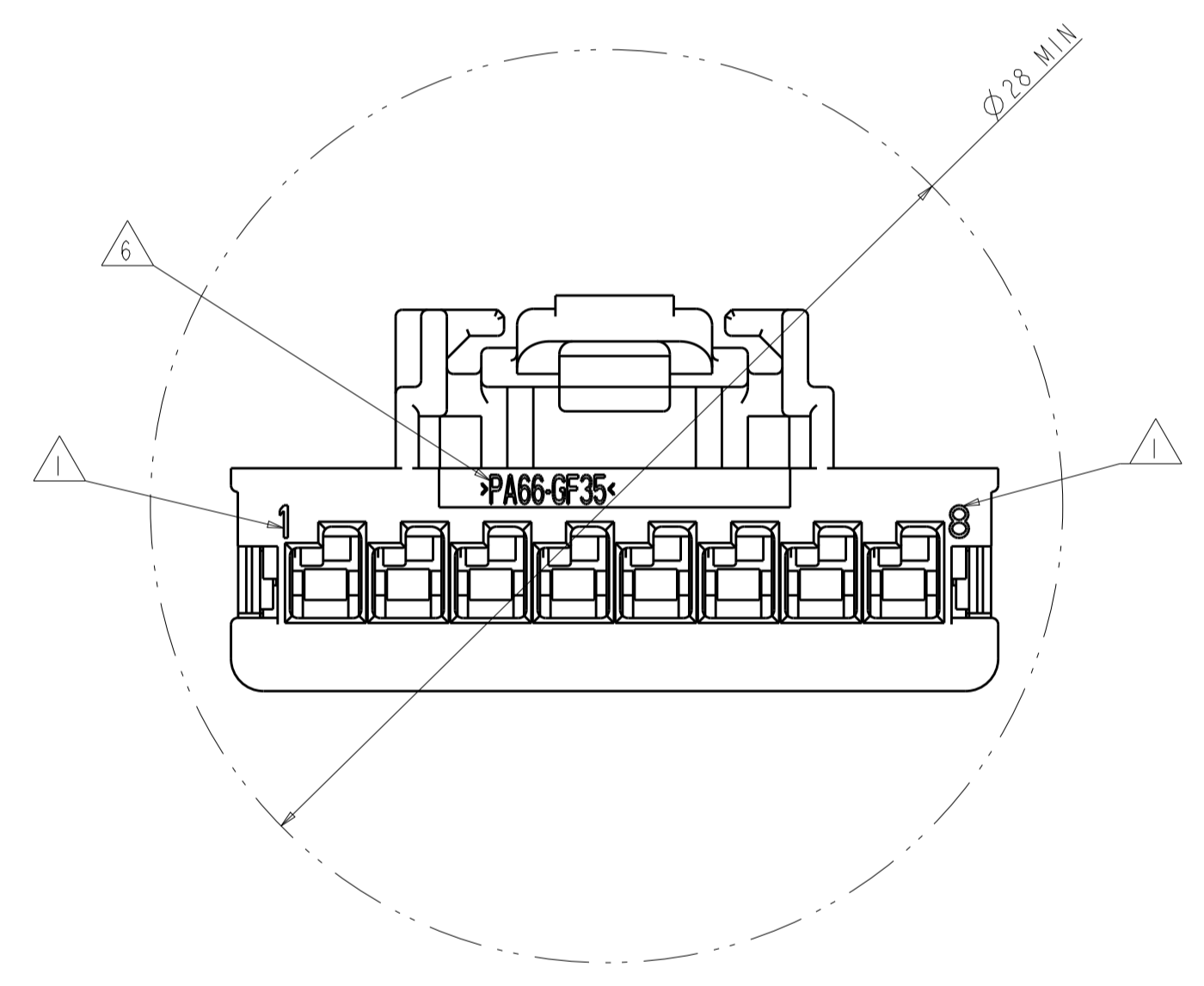
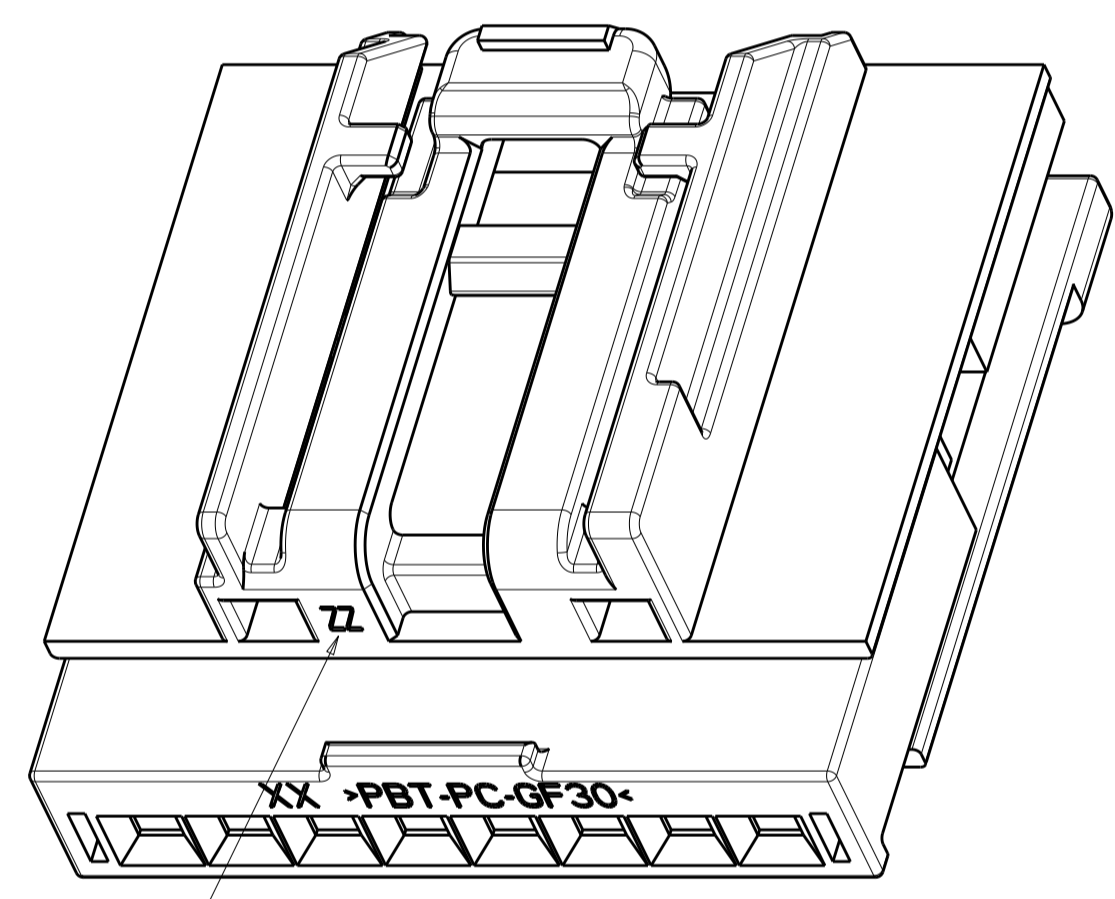
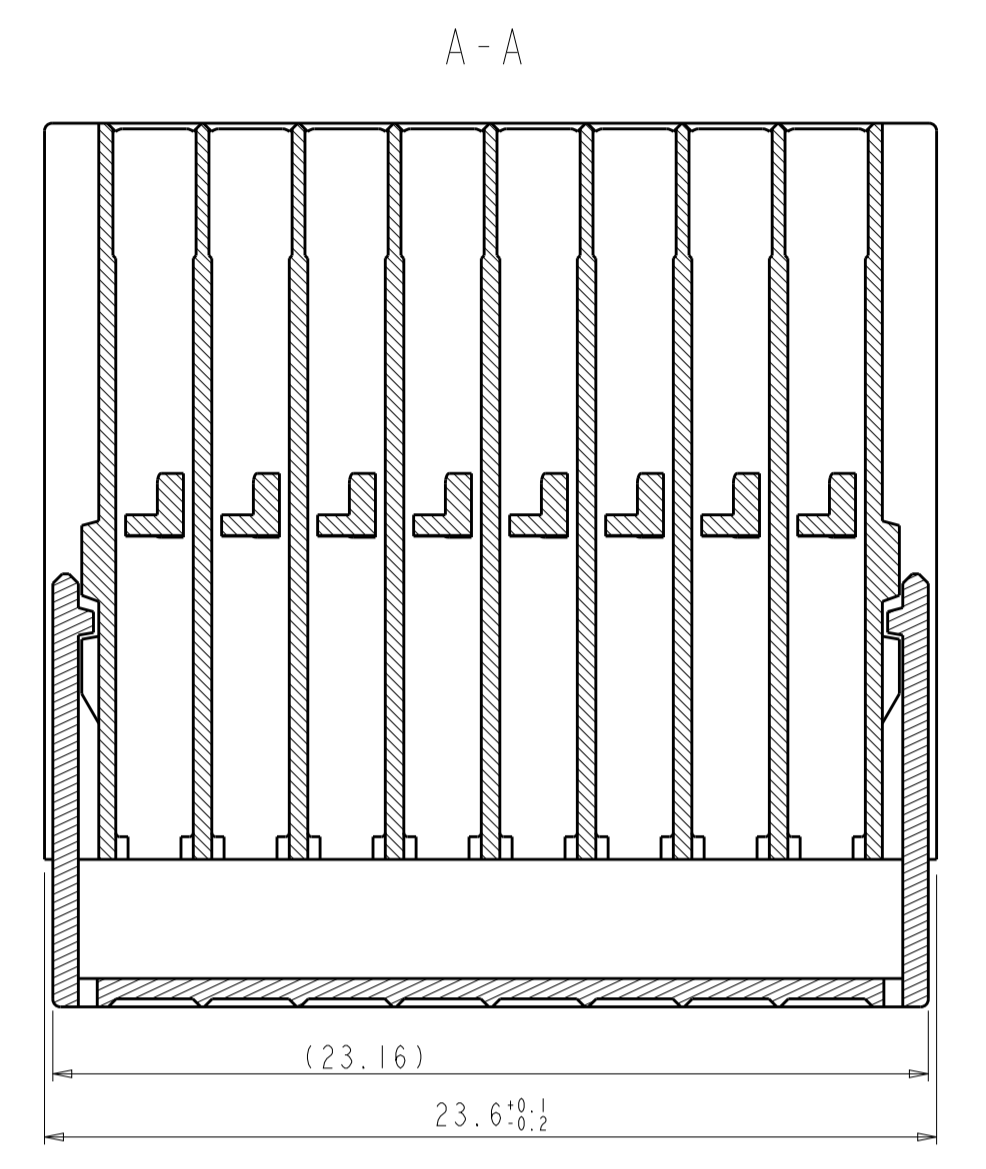


| LOC | DIST | REV | DESCRIPTION | DATE | BY | CHK | APPV |
|-----|------|-----|---------------------------|-----------|-----|-----|------|
| A1 | 00 | | | | | | |
| | | C | REVISED PER ECO-11-009047 | 09MAY2011 | DD | RL | |
| | | D | REVISED PER ECO-12-014001 | 31JUL2012 | DD | RL | |
| | | D1 | REVISED PER ECO-19-008900 | 18JUN2019 | JMS | CM | |



- △ TERMINAL CAVITY ID.
- 2. SPACER AND CPA (OPTIONAL) ARE SHIPPED IN PRE-ASSEMBLY POSITION.
- △ PART NUMBER AND DATE CODE.
- △ MOLD CAVITY ID.
- △ MATERIAL IDENTIFICATION.
- 7. PACKAGING: CONNECTOR ASSEMBLIES BULK PACKED IN CARDBOARD BOX.
- 8. DURING SHIPPING AND HANDLING THE TPA MAY BE DISPLACED TO ITS LOCKED POSITION. THE CONNECTOR CAN BE RETURNED TO ITS PROPER FUNCTION USING IS SHEET 408-10104.
- 9. APPLICABLE TERMINAL PART NUMBERS (SOLD SEPERATLY) GOLD APPLICATIONS 1393364 AND 1393365. TIN APPLICATIONS 1393366 AND 1393367 FOR TERMINATION AND REELING OPTIONS SEE DRAWINGS 1393364, 1393365, 1393366 AND 1393367.
- △ 10. OPTIONAL CONSTRUCTION.

| TE ORDER NUMBER | DESCRIPTION | COLOR | MATERIAL |
|-----------------|-------------|--------|-------------|
| 2098407-3 | FEMALE HSG | YELLOW | >PA66-GF35< |
| 2098407-1 | SPACER | RED | >PBT-GF30< |
| | CPA | RED | >PBT-GF20< |
| QUANTITY | DESCRIPTION | COLOR | MATERIAL |

THIS DRAWING IS A CONTROLLED DOCUMENT. DWN: D. DRUMMOND 23JUN2009
 CHK: D. ZUTAUT 23JUN2009
 APVD: D. ZUTAUT 23JUN2009

DIMENSIONS: mm

TOLERANCES UNLESS OTHERWISE SPECIFIED:
 0-ELC ±
 1-PLC ±
 2-PLC ±
 3-PLC ±
 4-PLC ±
 ANGLES °

FINISH

MATERIAL

Customer Drawing

SCALE 5:1 SHEET 1 OF 1 REV D1

TE Connectivity

NAME: 1X8 POSITION, GET FEMALE CONNECTOR UNSEALED, ASSEMBLY, SAFETY APPLICATION

SIZE: A1 CAGE CODE: 00779 DRAWING NO: 2098407