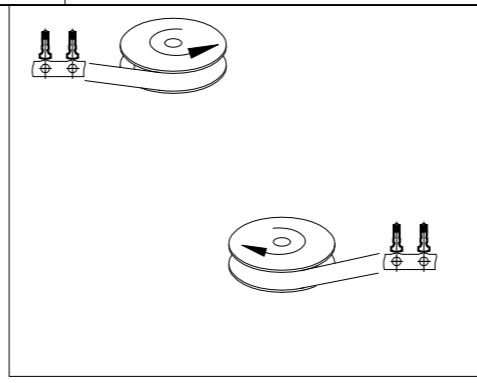
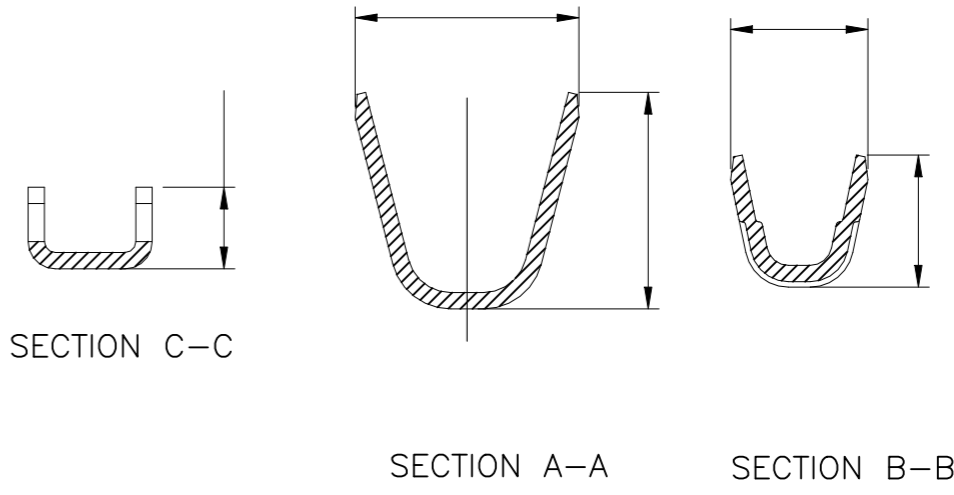
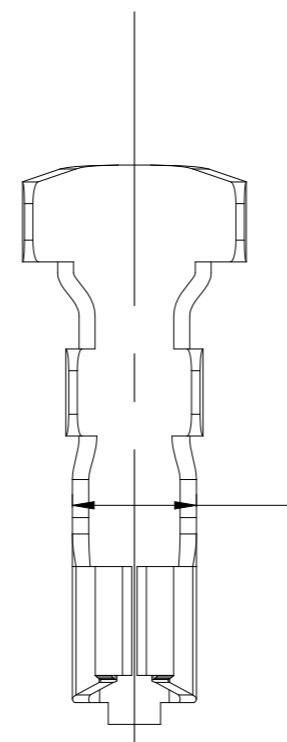


- NOTES:
- MATERIAL: COPPER ALLOY, THICKNESS 0.15
STANDARD TYPE: PHOSPHOR BRONZE.
HIGH PERFORMANCE TYPE: NICKEL COPPER.
 - PLATING
TYPE A: 50u"MIN NICKEL UNDER PLATING
100u" MIN PURE TIN OVER ALL.
TYPE B: 50u"MIN NICKEL UNDER PLATING
GOLD FLASH ON CONTACT AREA.
 - Q'TY: 10000 pcs/Reel..

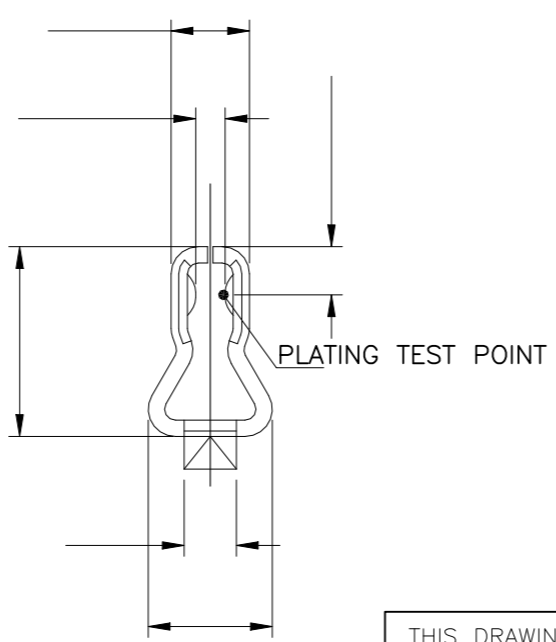
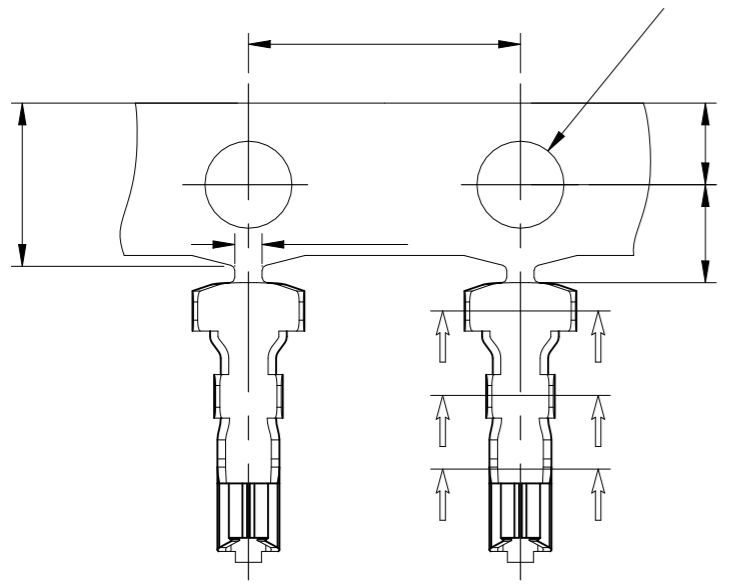


REVISIONS					
P	LTR	DESCRIPTION	DATE	DWN	APVD
	A1	ECR-21-121877	19NOV2021	T.Q	N.S

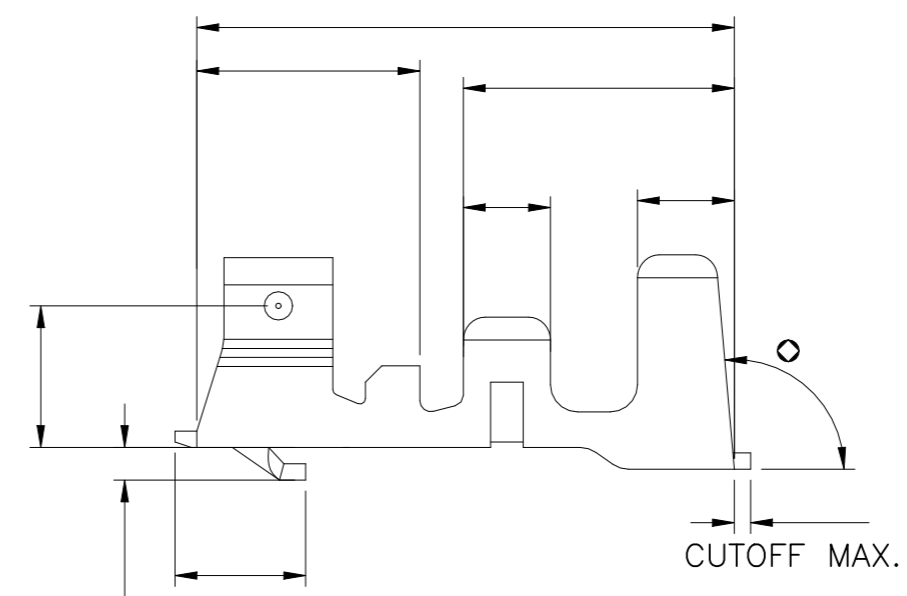
1




TO CRIMPING TOOL
←



SCALE 2:1

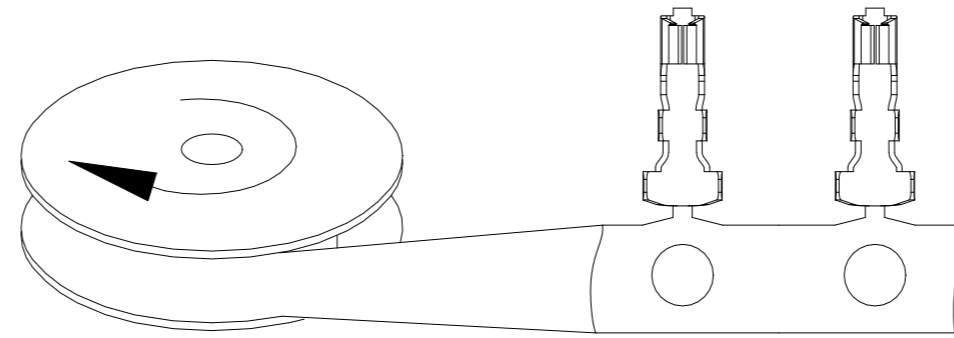
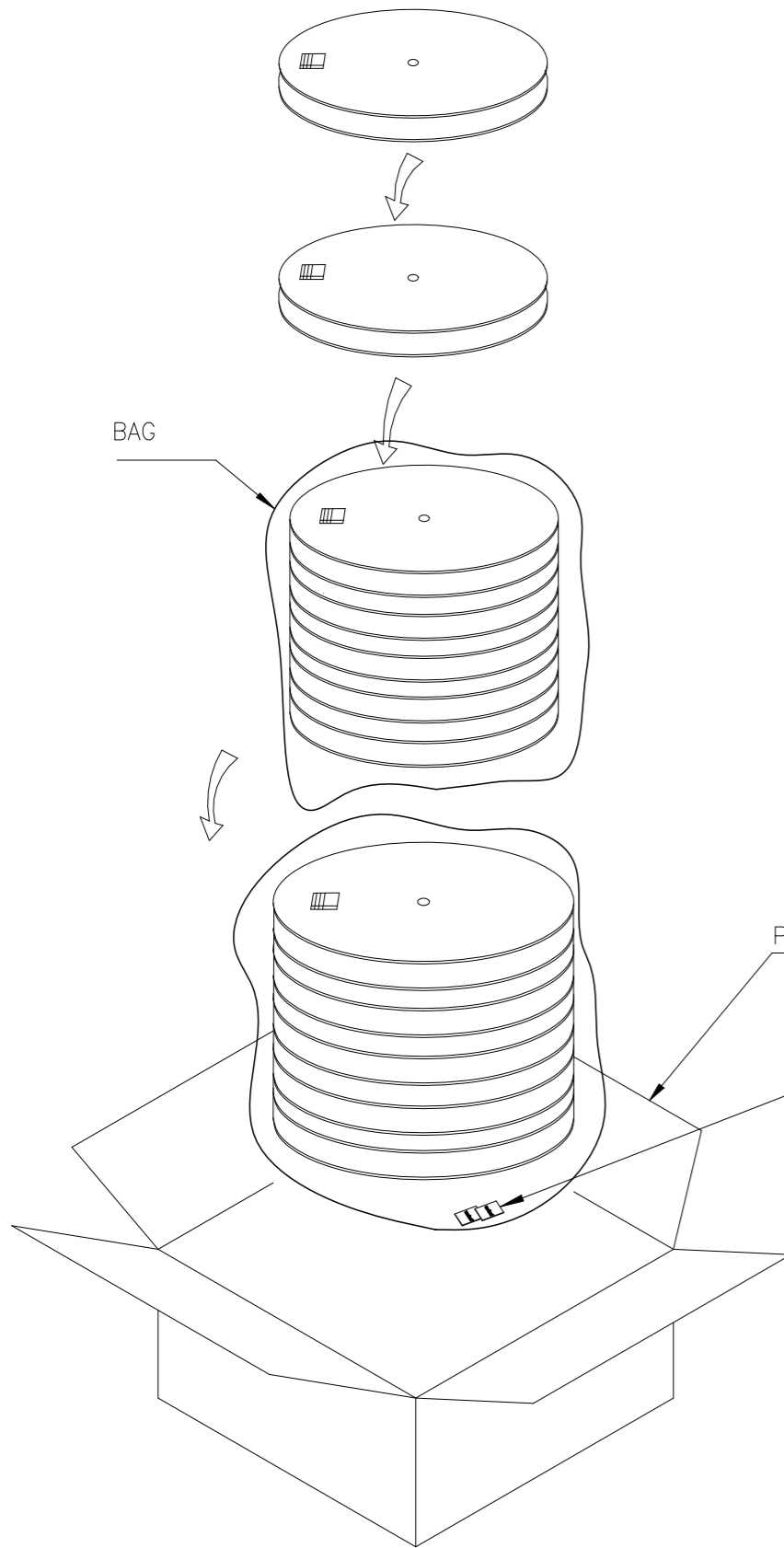


2380403-4	HP TYPE	TYPE B
2380403-3	HP TYPE	TYPE A
2380403-2	ST TYPE	TYPE B
2380403-1	ST TYPE	TYPE A
P/N	MATERIAL	PLATING SPEC

THIS DRAWING IS A CONTROLLED DOCUMENT.		DWN Jones Ji 23SEP2020	 TE Connectivity Ltd.														
DIMENSIONS: mm		CHK Wenke He				NAME											
TOLERANCES UNLESS OTHERWISE SPECIFIED:		APVD Wenke He	1.5P WT CONTACT WITH LATCH														
<table border="0"> <tr> <td>0 PLC</td> <td>± 0.5</td> </tr> <tr> <td>1 PLC</td> <td>± 0.35</td> </tr> <tr> <td>2 PLC</td> <td>± 0.25</td> </tr> <tr> <td>3 PLC</td> <td>± 0.15</td> </tr> <tr> <td>4 PLC</td> <td>± -</td> </tr> <tr> <td>ANGLES</td> <td>± 1°</td> </tr> </table>		0 PLC	± 0.5	1 PLC	± 0.35	2 PLC	± 0.25	3 PLC	± 0.15	4 PLC	± -	ANGLES	± 1°	PRODUCT SPEC 108-115183	RESTRICTED TO		
0 PLC	± 0.5																
1 PLC	± 0.35																
2 PLC	± 0.25																
3 PLC	± 0.15																
4 PLC	± -																
ANGLES	± 1°																
MATERIAL SEE NOTE		FINISH SEE NOTE	APPLICATION SPEC -	SIZE A3	CAGE CODE 00779												
CUSTOMER DRAWING			DRAWING NO C-2380403	SCALE N/A	SHEET 1 OF 2												
			WEIGHT -	REV A1													

REVISIONS

P	LTR	DESCRIPTION	DATE	DWN	APVD
-	-	SEE SHEET 1	-	-	-

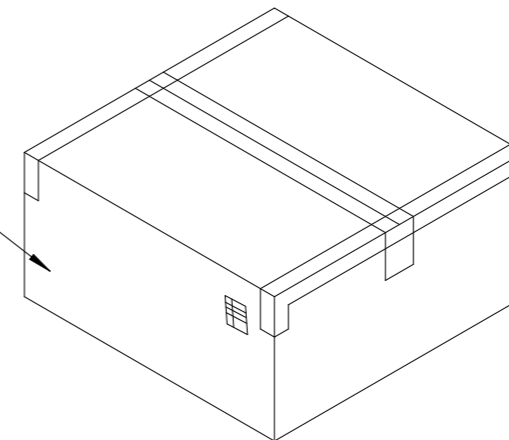


AFTER PLATING

PRIMARY CARTON

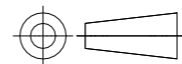
PRIMARY CARTON

2 DESICCATING AGENT



THIS DRAWING IS A CONTROLLED DOCUMENT.

DIMENSIONS:
mm



TOLERANCES UNLESS OTHERWISE SPECIFIED:

- 0 PLC ± 0.5
- 1 PLC ± 0.35
- 2 PLC ± 0.25
- 3 PLC ± 0.15
- 4 PLC ± -
- ANGLES ± -

MATERIAL

SEE NOTE

FINISH

DWN

CHK

APVD

PRODUCT SPEC

APPLICATION SPEC

WEIGHT

CUSTOMER DRAWING

STE TE Connectivity Ltd.

NAME

1.5P WTB CABLE CONTACT WITH LATCH

SIZE

CAGE CODE

DRAWING NO

RESTRICTED TO

A3 00779

C-2380403

SCALE N/A

SHEET 2 OF 2

REV A1