

4

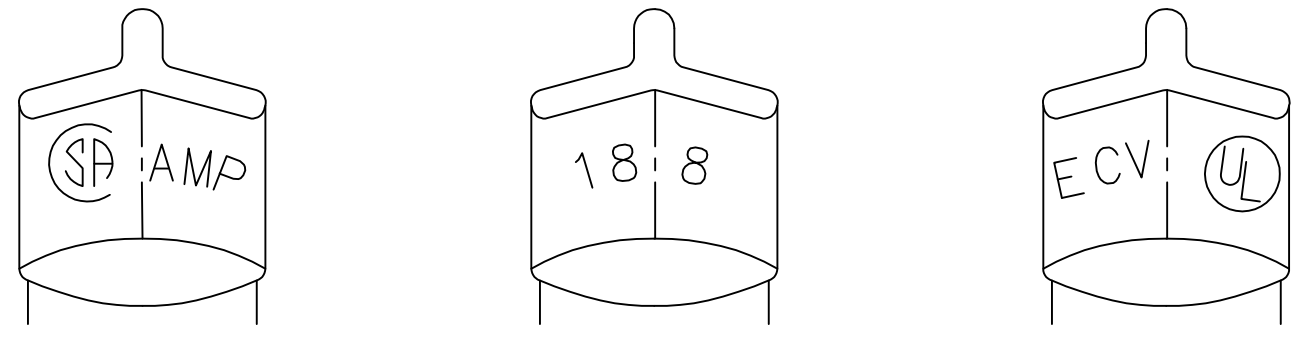
3

2

1

THIS DRAWING IS UNPUBLISHED. RELEASED FOR PUBLICATION  
 © COPYRIGHT - By - ALL RIGHTS RESERVED.

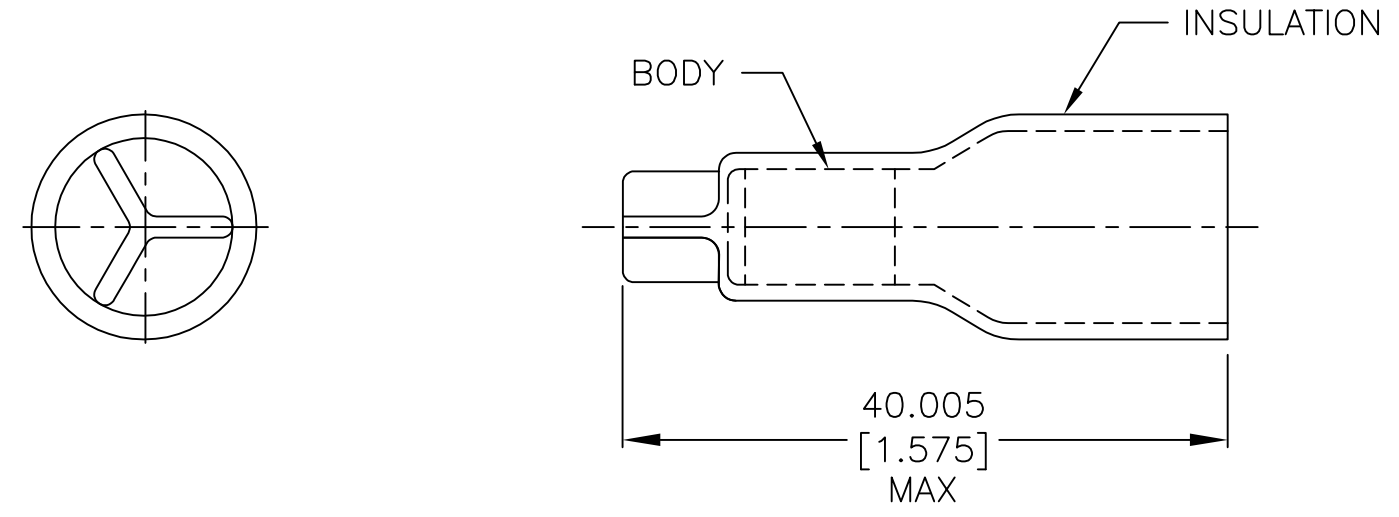
REVISIONS					
P	LTR	DESCRIPTION	DATE	DWN	APVD
	U1	REVISED PER ECO-11-004917	11MAR11	RK	HMR
	U2	REVISED PER ECO-17-006294	09OCT2017	RS	DR



STAMPING DETAIL

- 1 FOR  $\phi 12.700$  [ $\phi .500$ ] MAX WIRE INSULATION.
- 2 MATERIAL: BODY; COPPER PER ASTM B152 INSULATION; PVC COLOR; GREEN
- 3 FINISH: BODY; TIN PLATE PER ASTM B-545

<b>AMP</b> WIRE RANGE	Listed	LR7189 Certified
18-8 AWG SOLID OR STRANDED	18-8 AWG SOLID OR STRANDED	18-8 AWG SOLID OR STRANDED



250	LOOSE PIECE	320788
QTY	DESCRIPTION	PART NO

AMP INCORPORATED CUSTOMER SERVICE SYSTEMS		MAX RECOMMENDED OPERATING TEMPERATURE: 105°C[221°F] MAX	THIS DRAWING IS A CONTROLLED DOCUMENT.		DWN G KRUPER 1/93	TE Connectivity					
FOR ADDITIONAL PRODUCT INFORMATION OR COPIES OF DRAWINGS AND TECHNICAL DOCUMENTS	PRODUCT INFORMATION CENTER 1-800-522-6752	VOLTAGE RATING: 600V MAX (BUILDING & WIRING) 1000V MAX (FIXTURES & SIGNS)	DIMENSIONS: mm [INCHES]	TOLERANCES UNLESS OTHERWISE SPECIFIED:	CHK R HERSEY 1/93					NAME SPLICE, WIRE, CLOSED END 18-8 AWG	
FOR APPLICATION TOOLING INFORMATION	TOOLING ASSISTANCE CENTER 1-800-722-1111	CIRCULAR MIL AREA: 5.23-10.55mm <sup>2</sup> [10320-20820] SOLID OR STRANDED		0 PLC ± - 1 PLC ± - 2 PLC ± - 3 PLC ± 0.127[.005] 4 PLC ± - ANGLES ± -	APVD M ELLIS 1/93	APPLICATION SPEC 114-2149					
FOR ORDER ENTRY	1-800-526-5142	THIS DRAWING IS A CONTROLLED DOCUMENT FOR AMP INCORPORATED. IT IS SUBJECT TO CHANGE AND THE CONTROLLING ENGINEERING ORGANIZATION SHOULD BE CONTACTED FOR THE LATEST REVISION.	MATERIAL	FINISH	PRODUCT SPEC UL 486C					SIZE	CAGE CODE
					WEIGHT -	A3	00779	C=320788	-		
CUSTOMER DRAWING						SCALE	2:1	SHEET	1 OF 1	REV	U2