

注記 NOTES

1. 使用材料 MATERIAL

ハウジング：液晶ポリマー (LCP) UL94V-0 (黒)
HOUSING : LIQUID CRYSTAL POLYMER(LCP), UL94V-0,(COLOR: BLACK)

ターミナル：銅合金
TERMINAL : COPPER ALLOY

補強金具：銅合金
FITTING NAIL : COPPER ALLOY

2. メッキ仕様 PLATING

ターミナル TERMINAL

金メッキ
GOLD

下地：ニッケルメッキ
UNDER PLATING : NICKEL

※コンタクト部とテール部はニッケルメッキによって分断されている金メッキです。
DIVIDE INTO PARTS THE GOLD PLATING OF THE CONTACT AND THE TAIL PART BY THE NICKEL PLATING.

補強金具 FITTING NAIL

金メッキ (テール部のみ)
GOLD (ONLY TAIL PART)

下地：ニッケルメッキ
UNDER PLATING : NICKEL OVERALL

△ (全極数 / 2) = 偶数の場合に適用。

APPLY FOR (CIRCUIT/2)-EVEN.

4. 嵌合相手：504208 シリーズ
MATE WITH : 504208 SERIES.

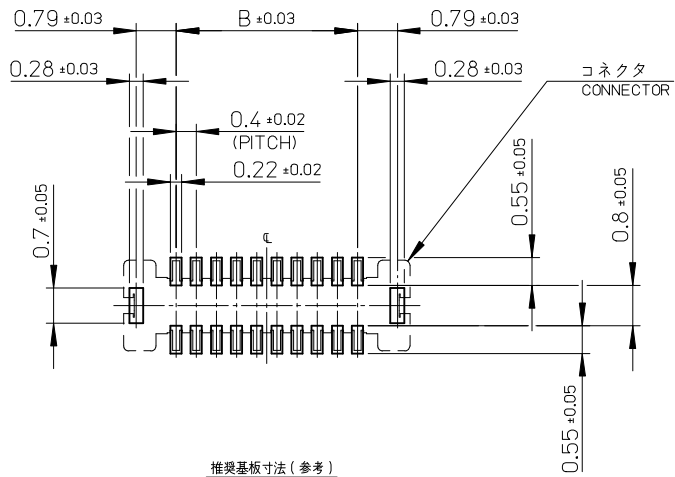
5. テール平坦度は、0.08 以下。
テール及び金具の平坦度は、0.1 以下。
TAIL COPLANARITY TO BE 0.08MAXIMUM.
TAIL AND FITTING NAIL COPLANARITY TO BE 0.1MAXIMUM.

6. ELV 及び RoHS 適合品
ELV AND RoHS COMPLIANT.

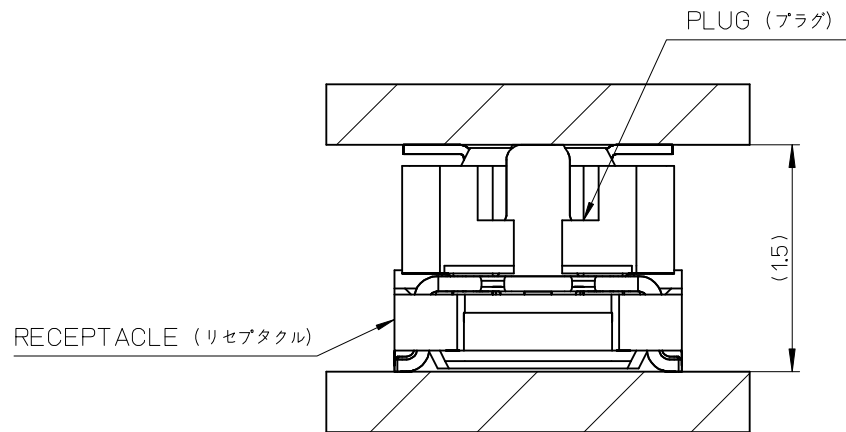
4.48	2.4	4.06	504212-1410	○	---	14
C	B	A	EMBOSSD TAPE PACKAGE --- オーダー番号 ORDER NO.	量産品 MASS PRODUCTION	試作対応可 LOW VOL. TOOL SAMPLE PREPARATION	極数 CIRCUIT

CONNECTOR SERIES No. : 504212-**09

RELEASED EC NO: J2013-1286 DRW:KAMINO 2013/05/14 CHKD:RTAKEUCHI 2013/05/14 APPR:MSASAO 2013/05/22	GENERAL TOLERANCES (UNLESS SPECIFIED)		DIMENSION STYLE MM ONLY		SCALE 10:1	DESIGN UNITS METRIC	THIRD ANGLE PROJECTION
	10 UNDER	±0.2	DRAWN BY KAMINO	DATE 2013/05/14	TITLE 0.4 BB CONN. H=1.5 ST15 PLUG ASSY.		
	10 OVER 30 UNDER	±0.25	CHECKED BY RTAKEUCHI	DATE 2013/05/14			
	30 OVER	±0.3	APPROVED BY MSASAO	DATE 2013/05/22			
REV A	DESCRIPTION	ANGULAR ±3 °	MATERIAL NO. SEE CHART		DOCUMENT NO. SD-504212-001	SHEET NO. 1 OF 2	
DRAFT WHERE APPLICABLE MUST REMAIN WITHIN DIMENSIONS		THIS DRAWING CONTAINS INFORMATION THAT IS PROPRIETARY TO MOLEX INCORPORATED AND SHOULD NOT BE USED WITHOUT WRITTEN PERMISSION					



推奨基板寸法 (参考)
P.W.BOARD PATTERN LAYOUT (REFERENCE)

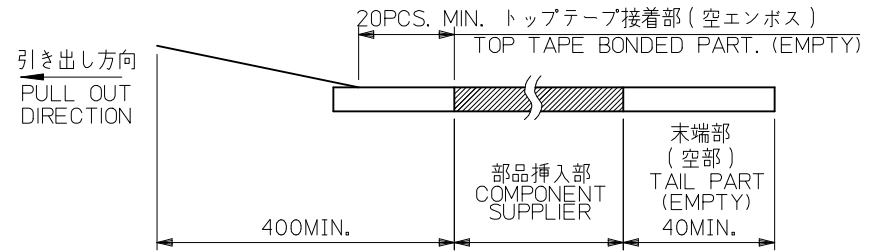
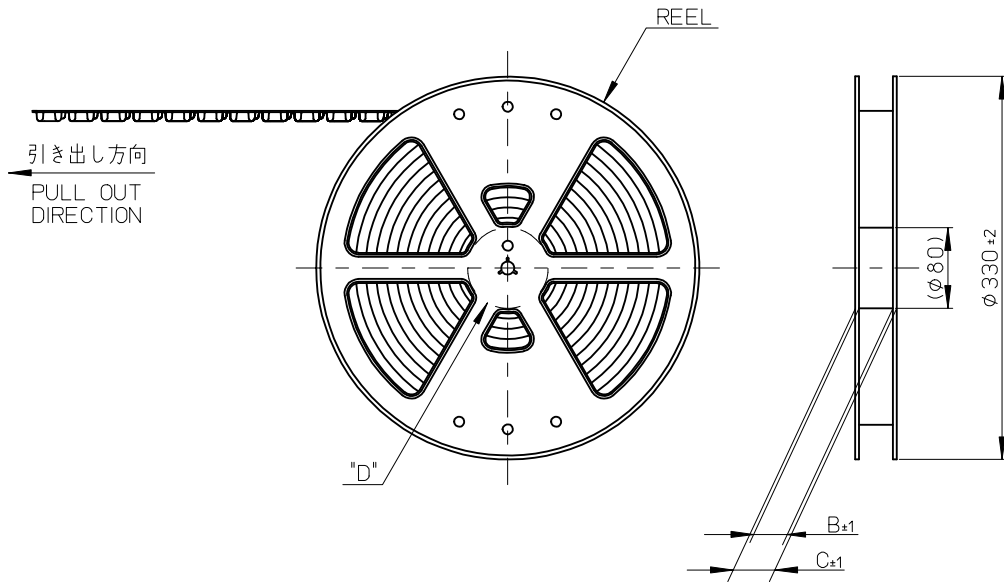


嵌合形状図 (参考)
MATED DRAWING (REFERENCE)

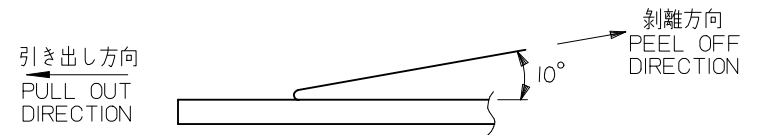
SEE SHEET 1 OF 2 EC NO.: J2013-1286 DRWN: KAMINO 2013/05/14 CHKD: RTAKEUCHI 2013/05/14 APPR: MSASAO 2013/05/22	GENERAL TOLERANCES (UNLESS SPECIFIED)		DIMENSION STYLE MM ONLY		SCALE 10:1	DESIGN UNITS METRIC	THIRD ANGLE PROJECTION	
	10 UNDER	± 0.2	DRAWN BY KAMINO	DATE 2013/05/14	TITLE 0.4 BB CONN. H=1.5 ST15 PLUG ASSY.			
	10 OVER 30 UNDER	± 0.25	CHECKED BY RTAKEUCHI	DATE 2013/05/14				
	30 OVER	± 0.3	APPROVED BY MSASAO	DATE 2013/05/22	molex DOCUMENT NO. SD-504212-001 SHEET NO. 2 OF 2			
ANGULAR ± 3 °		MATERIAL NO. SEE SHEET 1 OF 2						
DRAFT WHERE APPLICABLE MUST REMAIN WITHIN DIMENSIONS		THIS DRAWING CONTAINS INFORMATION THAT IS PROPRIETARY TO MOLEX INCORPORATED AND SHOULD NOT BE USED WITHOUT WRITTEN PERMISSION						

注記 NOTES

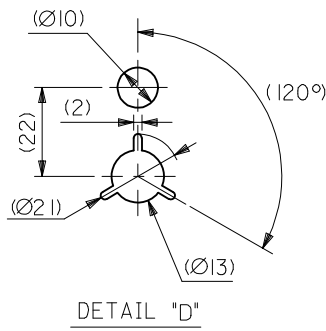
- 製品詳細寸法については製品単体図面を参照下さい。
RE DETAILED DIMENSION, SEE PRODUCT DRAWING.
- 梱包数量: 3000 個/リール
NUMBER OF CONNECTORS : 3000PCS/REEL
- リードテープ長さ LEAD TAPE LENGTH



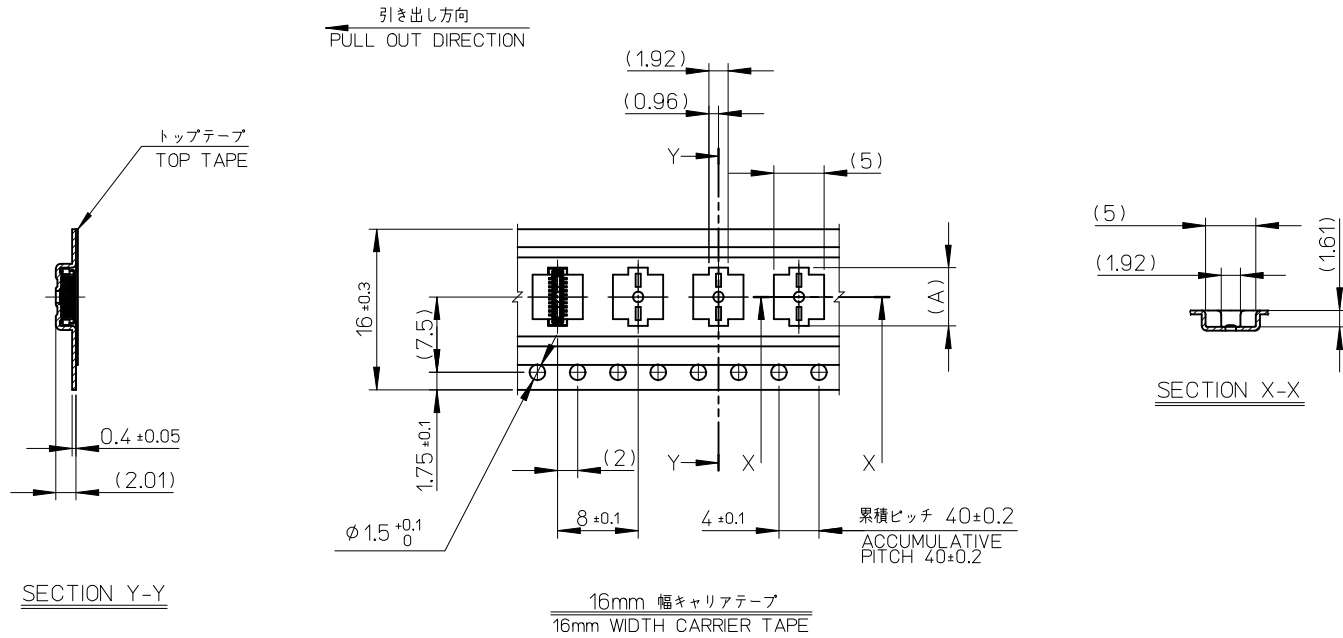
- トップテープの剥離強度: 0.1N~1.3N(10gf~130gf)
(剥離方向は下図参照)
尚、本規格値は出荷時に適用。(但し、輸送時に剥離が発生しないこと。)
PEELING OFF FORCE OF TOP TAPE : 0.1N~1.3N(10gf~130gf)
(PEELING DIRECTION AS SHOWN IN FOLLOWING FIG.)
THIS REQUIREMENT SHOULD BE APPLIED AT SHIPMENT.
PEEL OFF SHOULD NOT BE ALLOWED, DURING TRANSPORTION.



- 材料 MATERIAL
キャリアテープ (CARRIER TAPE) : ポリスチレン (POLYSTYRENE)
トップテープ (TOP TAPE) : PET, OTHER
リール (REEL) : ポリスチレン (PS) <リサイクル材を含む>
POLYSTYRENE (PS) <RECYCLE MATERIAL CONTAINED>
- ELV 及び RoHS適合品
ELV AND RoHS COMPLIANT



RELEASED EC NO: J2013-1384 DRWN: KAMINO 2013/05/24 CHKD: RTAKEUCHI 2013/05/24 APPR: MSASAO 2013/05/30	GENERAL TOLERANCES (UNLESS SPECIFIED)		DIMENSION STYLE MM ONLY		SCALE ---	DESIGN UNITS METRIC	THIRD ANGLE PROJECTION
	10 UNDER	±0.2	DRAWN BY KAMINO	DATE 2013/05/24	TITLE 0.4 BB CONN. H=1.5 ST15 PLUG ASSY. EMBSTP. PKG.		
	10 OVER 30 UNDER	±0.25	CHECKED BY RTAKEUCHI	DATE 2013/05/24			
	30 OVER	±0.3	APPROVED BY MSASAO	DATE 2013/05/30			
ANGULAR	±1 °	MATERIAL NO. SEE CHART		DOCUMENT NO. SD-504212-002	SHEET NO. 1 OF 2		
DRAFT WHERE APPLICABLE MUST REMAIN WITHIN DIMENSIONS		THIS DRAWING CONTAINS INFORMATION THAT IS PROPRIETARY TO MOLEX INCORPORATED AND SHOULD NOT BE USED WITHOUT WRITTEN PERMISSION					



16	21.4	17.4	4.6	504212-1410	o	---	14
キャリアテープ幅 CARRIER TAPE WIDTH	C	B	(A)	MATERIAL No.	量産品 MASS PRODUCTION	試作対応 LOW VOL. TOOL	極数 CIRCUIT
				MODEL No.	504212-**10		

SEE SHEET 1 OF 2 EC NO: J2013-1384 DRWN: KAMINO 2013/05/24 CHKD: RTAKEUCHI 2013/05/24 APPR: MSASAO 2013/05/30	GENERAL TOLERANCES (UNLESS SPECIFIED)		DIMENSION STYLE MM ONLY		SCALE ---	DESIGN UNITS METRIC	THIRD ANGLE PROJECTION
	10 UNDER	±0.2	DRAWN BY KAMINO	DATE 2013/05/24	TITLE 0.4 BB CONN. H=1.5 ST15 PLUG ASSY. EMBSTP. PKG.		
	10 OVER 30 UNDER	±0.25	CHECKED BY RTAKEUCHI	DATE 2013/05/24			
	30 OVER	±0.3	APPROVED BY MSASAO	DATE 2013/05/30	molex DOCUMENT NO. SD-504212-002 SHEET NO. 2 OF 2		
ANGULAR	±1°	MATERIAL NO.					
DRAFT WHERE APPLICABLE MUST REMAIN WITHIN DIMENSIONS		SEE SHEET 1		THIS DRAWING CONTAINS INFORMATION THAT IS PROPRIETARY TO MOLEX INCORPORATED AND SHOULD NOT BE USED WITHOUT WRITTEN PERMISSION			