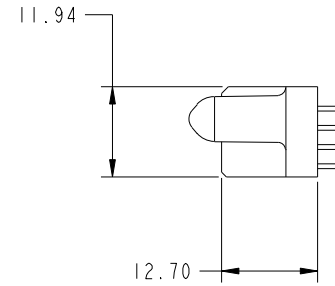
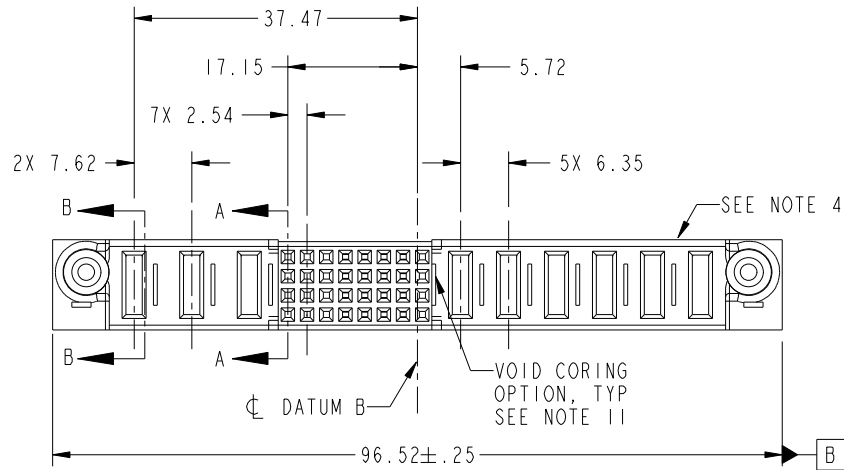


Tous droits strictement réservés. Reproduction ou communication a des tiers interdite sous quelque forme que ce soit sans autorisation écrite du propriétaire. Propriété de c.FCI. Droits de reproduction FCI.

All rights strictly reserved. Reproduction or issue to third parties in any form whatever is not permitted without written authority from the proprietor. Property of FCI. Copyright FCI.



PRODUCT NO. 51936-002-- NOTE: 3	ROWS DCBA	1 2		POWER			SIGNAL					POWER					E1				
		E2	P9	P8	P7	8	7	6	5	4	3	2	1	P6	P5	P4		P3	P2	P1	
						X	X	X	X	E	E	E	E	X							
						X	X	X	X	E	E	E	E	X							
						X	X	X	X	E	E	E	E	X							
						X	X	X	X	E	E	E	E	X							



CODE	DIM "M" ±0.25	CONTACT TYPE
E	[N/A]	SIGNAL
PA	[1.07]	POWER
PD	[2.34]	POWER
X	OMITTED	OMITTED

mat'l code				SEE NOTE		tolerances unless otherwise specified		CUSTOMER	
lir	ecn no.	dr	date	linear	0.X ±0.5	COPY			
A	V20023	DA1	01/07/02	0.XX ±0.25	projection				
B	V20384	JWS	02-25-02	0.XXX ±0.10	product family		PwrBlade		
C	V21719	CGD	10/30/02	angles	0° ±2°	size	dwg no	code	
D	DG05-0301	CS	08/26/05	dr	D. INGRAM	01/07/02	A	51936-002	
E	DG07-0498	JW	09/12/08	enrg	M. MOSTOLLER	01/07/02	scale	1:1	
sheet index		revision sheet	E 1	E 2	E 3	E 4	product family PwrBlade code 213 sheet 1 of 4		

product family		PwrBlade		code	
size	dwg no	51936-002		213	
sheet		1 of 4			

A

A

B

B

1 | 2

3

4

Pro/E

PDM: Rev: E

STAT: Released

Printed: Dec 20, 2010

cage code

22556

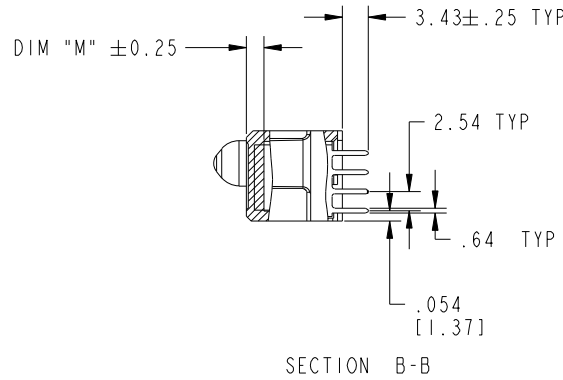
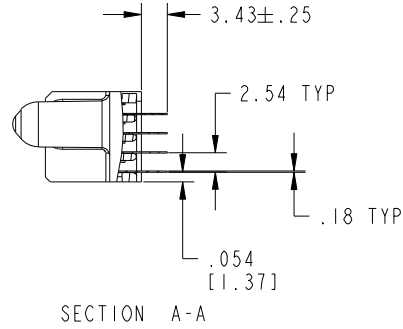
4

Tous droits strictement reserves. Reproduction ou communication a des tiers interdite sous quelque forme que ce soit sans autorisation ecrite du proprietaire. Propriete de c.FCI. Droits de reproduction FCI.

All rights strictly reserved. Reproduction or issue to third parties in any form whatever is not permitted without written authority from the proprietor. Property of FCI. Copyright FCI.



PRODUCT NUMBER
51936-002--
NOTE: 3



mat'l code		SEE NOTE		tolerances unless otherwise specified		CUSTOMER		 www.fciconnect.com	
lfr	ecn no.	dr	date	linear	0.X ± 0.5	COPY		title	
E					0.XX ± 0.25	projection		6P + 32S + 3P	
				angles	0.XXX ± 0.10			VERTICAL PRESS FIT RECEIPT	
					0° ± 2°			product family	
				dr	D. INGRAM 01/07/02	MM		PwrBlade	
				engr	M. MOSTOLLER 01/07/02			code	
				chr	M. MOSTOLLER 01/07/02	scale		213	
				appd	M. MOSTOLLER 01/07/02	1:1		sheet	
sheet index		revision sheet				A		51936-002	
								2	

1 | 2

3 |

4

A

A

B

B

1 | 2

Pro/E

PDM: Rev: E

STATUS: Released

Printed: Dec 20, 2010

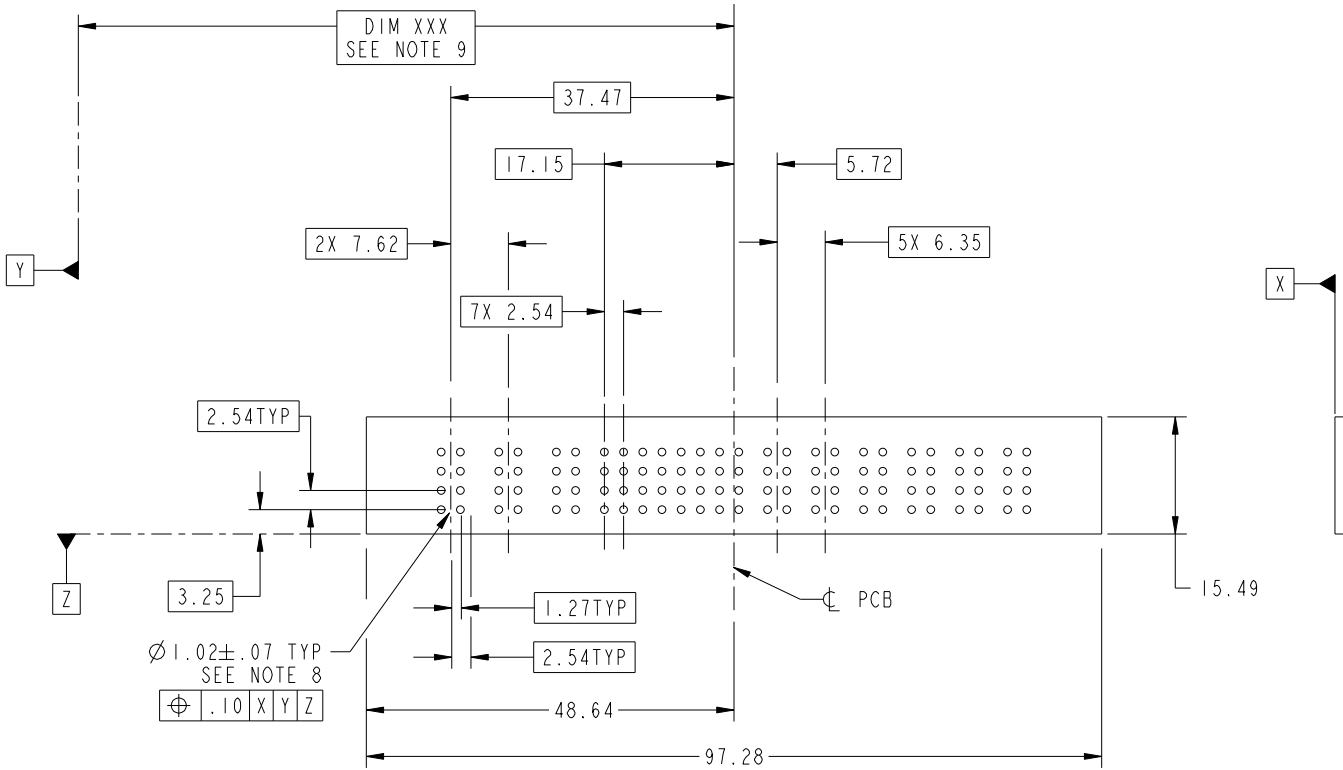
cage code 28536

Tous droits strictement réservés. Reproduction ou communication a des tiers interdite sous quelque forme que ce soit sans autorisation écrite du propriétaire. Propriété de c.FCI. Droits de reproduction FCI.

All rights strictly reserved. Reproduction or issue to third parties in any form whatever is not permitted without written authority from the proprietor. Property of FCI. Copyright FCI.



PRODUCT NUMBER
51936-002--
NOTE: 3



mat'l code		SEE NOTE		tolerances unless otherwise specified		CUSTOMER		 www.fciconnect.com	
lfr	ecn no.	dr	date	linear	0.X ± 0.5	COPY		title	
E				linear	0.XX ± 0.25	projection		6P + 32S + 3P	
				angles	0.XXX ± 0.10			VERTICAL PRESS FIT RECEPT	
					0° ± 2°			product family	
				dr	D. INGRAM 01/07/02	MM		PwrBlade	
				enrg	M. MOSTOLLER 01/07/02	scale		code	
				chr	M. MOSTOLLER 01/07/02	1:1		213	
				appd	M. MOSTOLLER 01/07/02	size		sheet	
sheet index		revision sheet				A		3	
						51936-002			

Tous droits strictement reserves. Reproduction ou communication a des tiers interdite sous quelque forme que ce soit sans autorisation écrite du propriétaire. Propriete de c.FCI. Droits de reproduction FCI.

All rights strictly reserved. Reproduction or issue to third parties in any form whatever is not permitted without written authority from the proprietor. Property of FCI. Copyright FCI.



1 | 2

3

4

PRODUCT NUMBER

51936-002--
NOTE: 3

NOTES:

I. DIMENSIONS AND TOLERANCES ARE IN ACCORDANCE WITH ASME Y14.5M, 1994 UNLESS OTHERWISE SPECIFIED.

CONNECTORS NOTES:

- ② HOUSING MATERIAL: UL 94 V-0 GLASS FILLED HIGH TEMP THERMO PLASTIC
- POWER CONTACT MATERIAL: COPPER ALLOY
- SIGNAL PIN MATERIAL: COPPER ALLOY

⚠③ PLATING:
SEE ITEM 7&8 IN PRINT 10064183 FOR PLATING SPEC OF 51936-002; 51936-002LF

④ "MANUFACTURER" NAME, P/N, AND DATE CODE TO APPEAR ON THIS SURFACE.

⑤ PRODUCT SPECIFICATION GS-12-149.

PCB - NOTES:

⑥ ALL HOLE DIAMETERS ARE FINISHED HOLE SIZE.

7. HOLD DOWN THROUGH HOLES ARE UNPLATED.

8. $\varnothing 1.151 \pm 0.025$ DRILLED HOLES PLATED WITH) 0.008 MIN SnPb OR Sn OVER 0.03 TO 0.08 Cu PLATING TO ACHIEVE $\varnothing 1.02 \pm .07$ HOLE.

9. "DIM XXX" TO BE DETERMINED BY THE CUSTOMER.

10. A ⚠ SYMBOL WILL BE NEXT TO ANY DIMENSION, VIEW, OR NOTE WHICH HAS BEEN MODIFIED WITH THE CURRENT DRAWING REVISION.

11. THE VOID CORING IN BETWEEN POWER MODULES, SIGNAL MODULES AND END MODULES ARE OPTIONAL AND THE SHAPE MAY BE DIFFERENT FOR OPTIMIZING THE MOLDING PROCESS. THE VOID CORING WILL NOT EFFECT TO PRODUCT FUNCTION.

mat'l code				SEE NOTE		tolerances unless otherwise specified		CUSTOMER		www.fciconnect.com	
lir	ecn no.	dr	date	linear	0.X ±0.5		COPY		title 6P + 32S + 3P VERTICAL PRESS FIT RECEPT		
E					0.XX ±0.25		projection				
					0.XXX ±0.10						
				angles	0° ±2°				product family PwrBlade		code
				dr	D. INGRAM	01/07/02	scale		size	dwg no	213
				enrg	M. MOSTOLLER	01/07/02	1:1		A 51936-002		sheet
				chr	M. MOSTOLLER	01/07/02					4
				appd	M. MOSTOLLER	01/07/02					
sheet index	revision sheet										

1 | 2

Pro/E

PDM: Rev: E

STAT: US: Released

Printed: Dec 20, 2010

cage code 28526

4