



**ANATECH ELECTRONICS INC**  
RF & Microwave Filters & Products

## 4100 MHz LC Bandpass Filter

Part Number: AE4100B6440



### Electrical Specifications

**Center Frequency:** 4100 MHz  
**Passband:** <1 @ 3933 MHz to 4268 MHz  
**VSWR:** 1.5:1  
**Insertion Loss:** <3 dB @ 3933 MHz to 4268 MHz  
**Impedance:** 50 Ohms  
**Rejection:** > 70 dB @ 4700 MHz

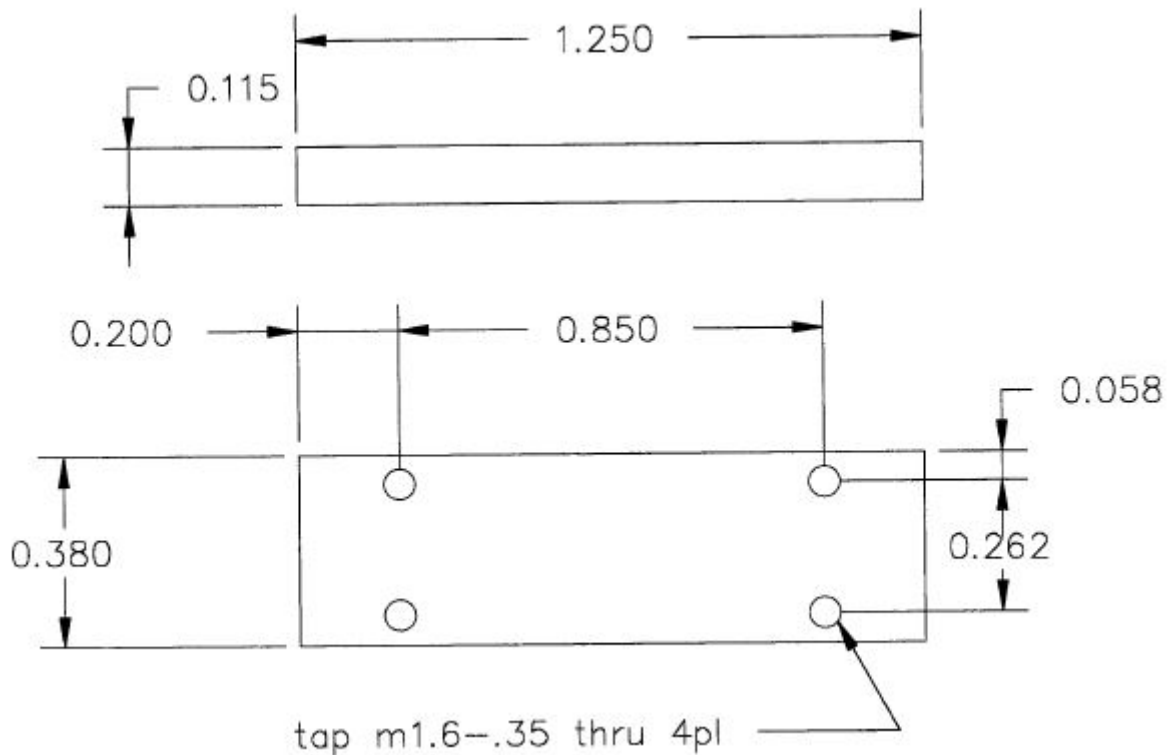
### Mechanical

**Mounting Method:** Through Holes  
**Dimensions:** 1.25" X 0.38" x 0.38" in.

### Environmental

**Operating Temperature:** -25°C to +70°C  
**Storage Temperature:** -40°C to +90°C  
**Shock:** 10 G. 11ms  
**Vibration:** 10 G. 5 to 200Hz

### Outline Drawing:





**ANATECH ELECTRONICS INC**  
RF & Microwave Filters & Products

# 4100 MHz LC Bandpass Filter

Part Number: AE4100B6440



## Response Plot:

Freq. [MHz]	ATT [dB]	Flatness	SPEC
4000	2.55	0.28	(0.5)
4100	2.27	0.00	3.0
4200	2.52	0.25	(0.5)
4500	70.02		60.0
4700	100.36		70.0

