



Electrical Specifications

Center Frequency: 896.5 MHz
Bandwidth: 93 MHz
Pass Band: 850-943 MHz
Insertion Loss: 2.0 dB Max
Return Loss: 15 dB Min
Rejection: ≥30 dB @ 835 MHz
 ≥30 dB @ 958 MHz
Power Handling: 10 W

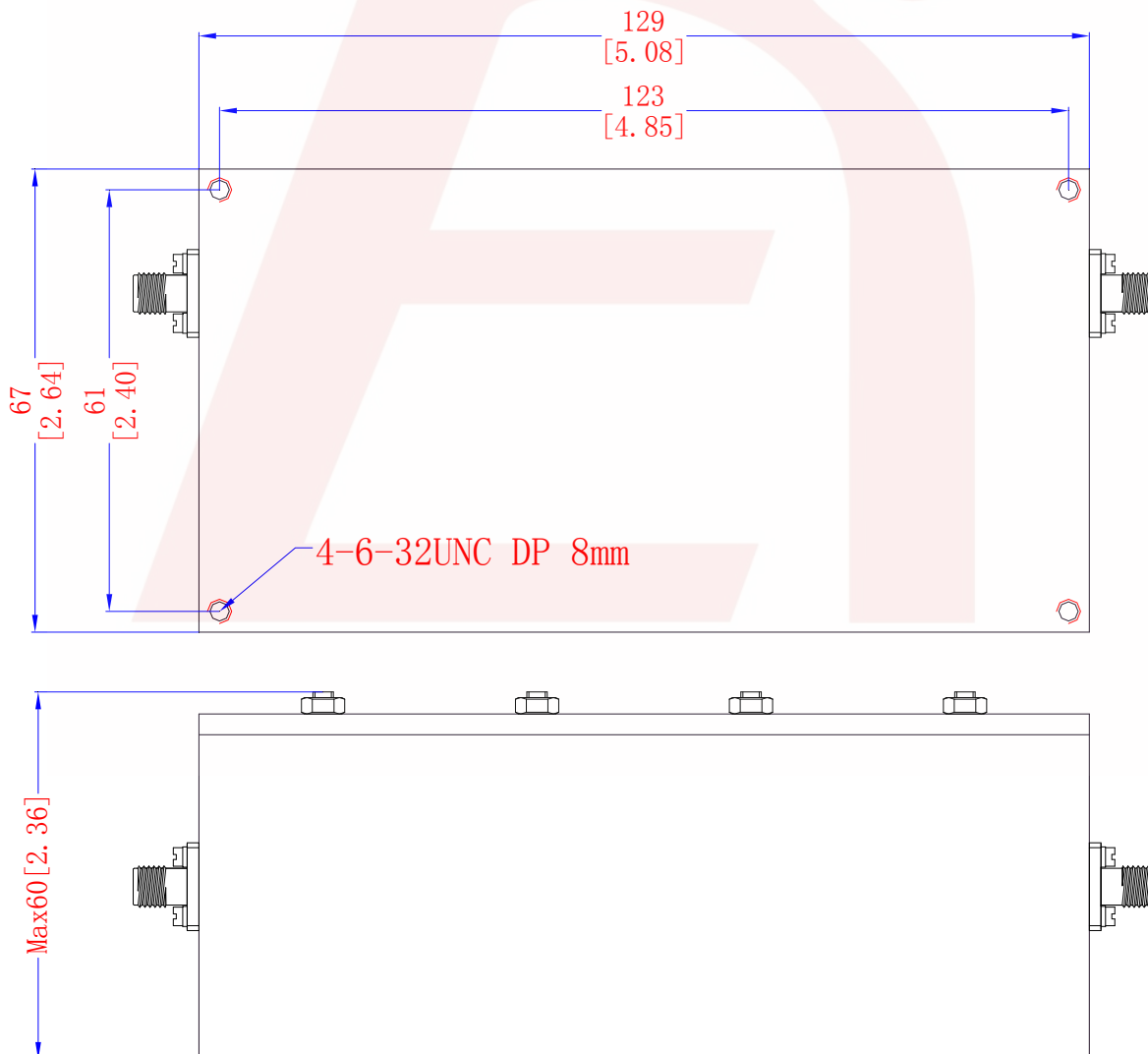
Mechanical

Connector Type: SMA (F)
Dimensions: 5.08 x 2.64 x 2.36 Inches

Environmental

Operating Temperature: -40 to +85° C
Storage Temperature: -50 to +95° C
Shock: 20 G. 11 ms
Vibration: 20 G. 5 to 200 Hz

Outline Drawing:





Response Plot:

