

SUMMARY



Image is for illustrative purpose only

Wires

Thermocouple 2

Series 0S
Termination type Thermocouple
IP rating 50
AWG wire size 30.00 - 22.00
Cable Ø 0.00 - 0.00 mm
Status active

Download

[Request a quote](#)

[Catalog](#)

TECHNICAL DETAILS

Mechanics

Shell Style/Model ERD*: Fixed receptacle with two nuts (back panel mounting)

Keying

Housing Material Brass (chrome plated [SAE AMS 2460]) shell and collet nut, nickel plated [SAE AMS QQ N 290] brass latch sleeve and mid pieces

Weight 8.15 g

Performance

Configuration 0S.302/ThC : 1 Thermocouple Pair

Insulator Y: PEEK for crimp contacts

Rated Current 10 Amps

Specifications

ThC. Materials (P+/N-): Copper / Constantan

Others

Endurance (Shell): 5000 mating cycles

Temp (min / max): -55°C / +250°C

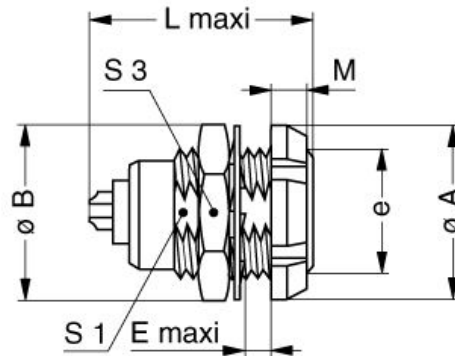
Humidity (max): <=95% [at 60 deg C / 140 F]

Vibration: 15 g [10 Hz - 2000 Hz]

LEMO products and services are provided "as is". LEMO makes no warranties or representations with regard to LEMO product & services or use of them, express, implied or statutory, including for accuracy, completeness, or security. The user is fully responsible for his products and applications using LEMO components.

Shock Resistance: 100 g [6 ms]
 Climatical Category: 50/175/21
 Shielding (min): 75 dB (10 MHz)
 Shielding (min): 40 dB (1 GHz)
 Salt Spray Corrosion: >1000 hr

DRAWINGS



Dimensions

	A	B	E	L	M	S1	S3	e
mm.	12	12.5	5.5	18.5	2.5	8.2	11	M9x0.6
in.	0,47	0,49	0,22	0,73	0,10	0,32	0,43	

RECOMMENDED BY LEMO

Tools

Spanner wrench: [Socket for torque wrench DCM.05.M09.4](#)

LEMO products and services are provided "as is". LEMO makes no warranties or representations with regard to LEMO product & services or use of them, express, implied or statutory, including for accuracy, completeness, or security. The user is fully responsible for his products and applications using LEMO components.