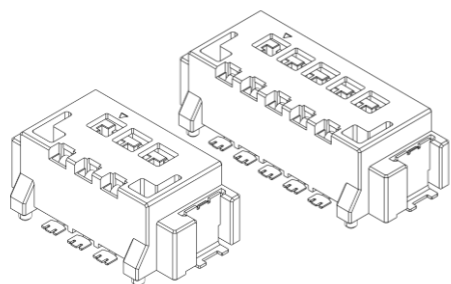


## PRODUCT INFO



Floating bottom entry socket for pin header  
(Pitch:2.54mm, 0.64mm square).

It is featured with bottom entry mating structure which is suitable for stacking the PCBs. By shifting from connector with manual soldering process to this connector, you can reduce the soldering process and increase contact reliability.

【Target Application】

Powertrain, EPS, Factory Automation, Robot, Smart grid

### Feature 1 : Bottom Entry

Since the opponent pin will be inserted from the bottom of socket, it is possible to see from the top of the connector whether the pin is inserted correctly.

### Feature 2 : Floating and self-alignment function

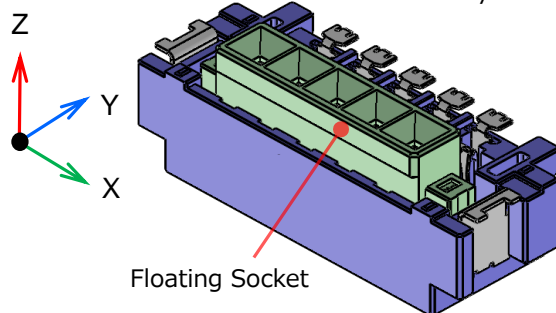
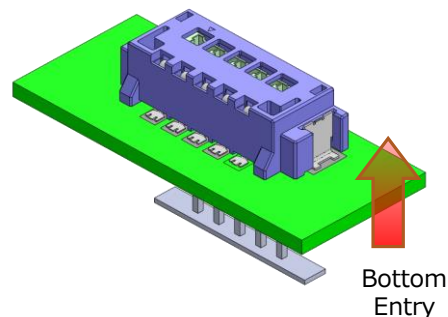
IRISO Floating connectors would offset mating positional error in X/Y direction. It has self-alignment function which offset positional error, and easy for PCB design considering using multiples connectors. In total it would improve operational efficiency.

In addition, this series consist with IRISO unique function "Z-Move™ \*1" which allows to move in Z-direction. It can offset sympathetic vibration in PCBs after mating.

(\*1) Z-Move™ is a registered trademark by IRISO ELECTRONICS CO.,LTD.

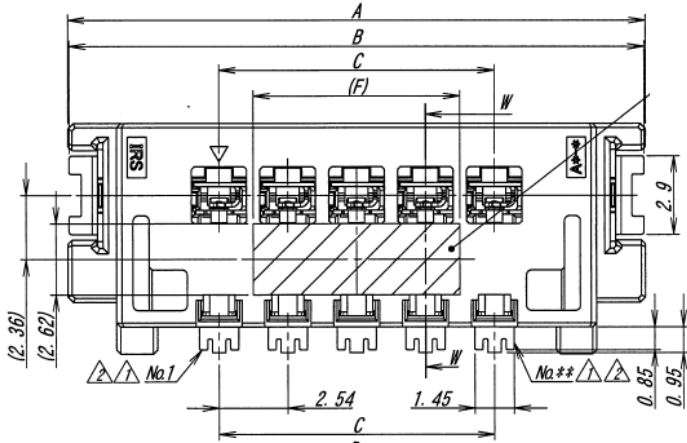
### Feature 3 : Less stress on soldering area

On top of floating function mentioned above, there are metal flange at both edge of housing (selectable from SMT and DIP type). This will reduce the stress on soldering area caused by external force, and prevent cracks on soldering area.



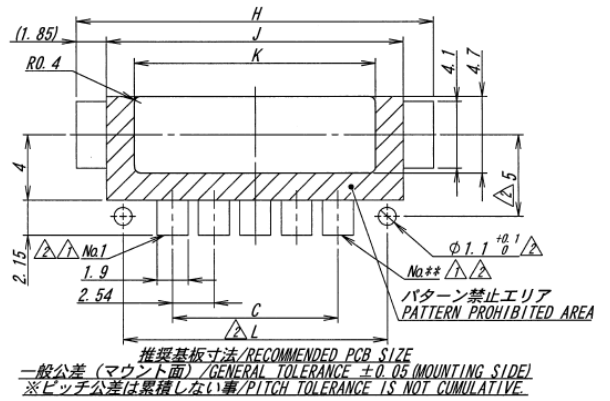
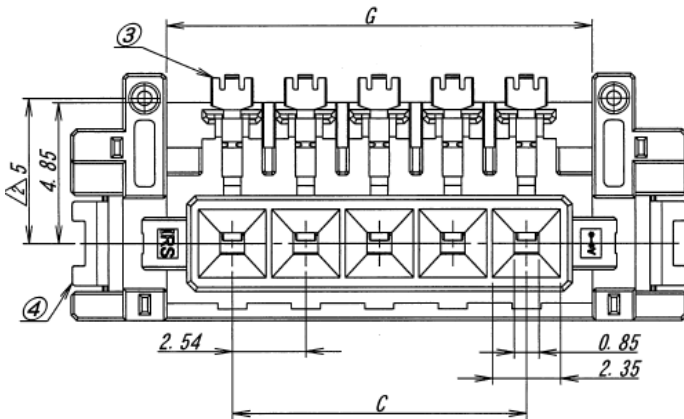
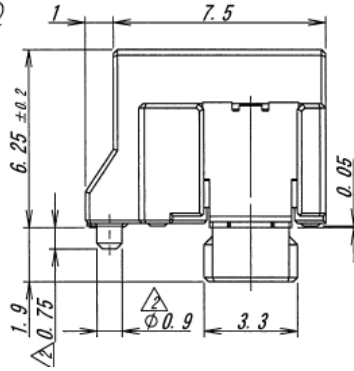
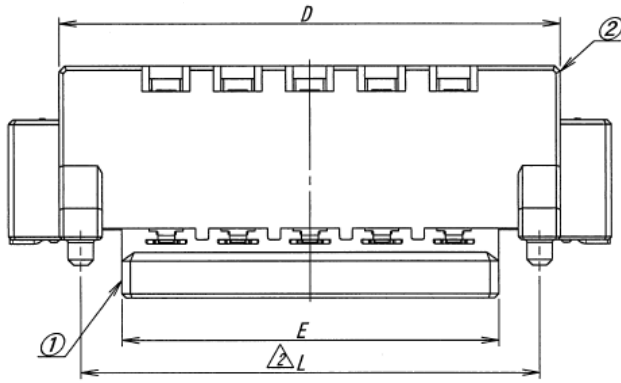
Product Spec			
Item	Unit	Specification	Note
Pitch	mm	2.54	-
Floating	mm	X:±0.5 Y:±0.5	-
Pin Counts	ckt	3,5	-
Connecting Type	-	Stacking	-
Operating Temperature Range	°C	-40~+125	-
Rated Current	A	1.0	-
Rated Voltage	V	125	JIS C60664-1 Pollution Degree II
Contact Resistance	mΩ	100	Max.120 (After test)
Withstand Voltage	V	500	
Durability (Insertion/Withdrawal)	times	10	-

## IMSA-18021S-\*\*Y90\*



極数 CKT	製品番号 PRODUCTS No.	A	B	C	D	E	F	G	H	J	K	L
3	18021S-03*-GFH4	16.24	16.14	5.08	12.64	8.24	7.62	9.64	16.84	13.14	9.74	11.14
5	18021S-05*-GFH4	21.32	21.22	10.16	17.72	13.32	7.62	14.72	21.92	18.22	14.82	16.22

- ①ハウジング/HOUSING: PA9T, 黒色/BLACK, UL94V-0
- ②リテーナ/RETAINER: PA9T, 黒色/BLACK, UL94V-0
- ③コンタクト/CONTACT: コルソン銅/CORSON BRONZE
- ④補強板/METAL FLANGE: 黄銅/BRASS
- ⑤推奨嵌合端子: タフピッチ銅/TOUGH-PITCH COPPER



\* For packing, see packing drawing.

\*Specification is subject to change without prior notice for improving performance of the product and so on. Dimension and specification described herein are limited to major items. When applying the products, please confirm details on drawing and specification sheets which will be provided upon request

WP\_18021\_EN\_R1

IRISO USA, INC  
 IRISO ELECTRONICS CO.,LTD.

34405 W 12 Mile Rd # 237,  
 Farmington Hills, MI 48331 USA  
 TEL: (248) 324-9780  
 E-Mail: [info@irisoconnectors.com](mailto:info@irisoconnectors.com)

<https://www.iriso.co.jp/us/>

