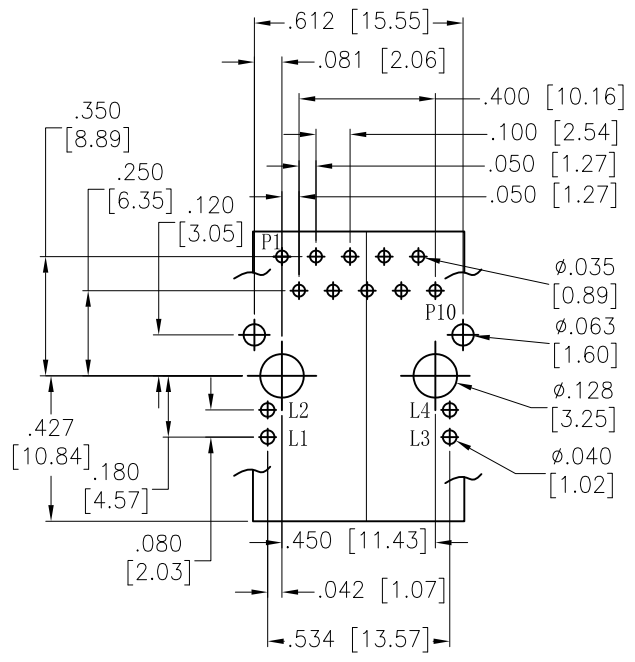
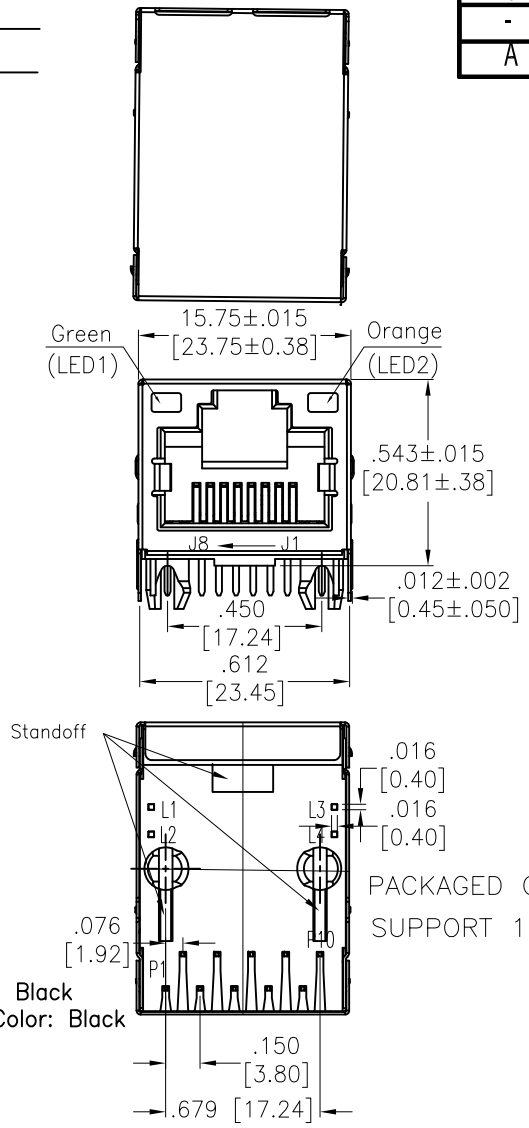


Rev	AWO #	Description	Date	Appr
-		RELEASED	6/28/17	
A		UPDATE DRAWING	6/24/21	JJ/RC

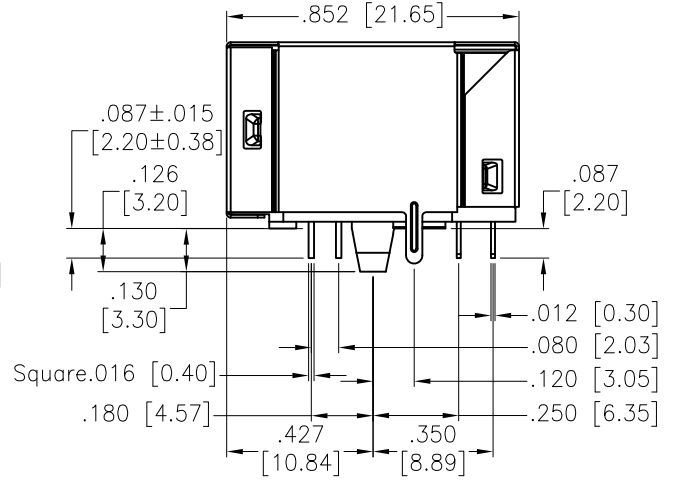
APPROVED: \_\_\_\_\_  
DATE: \_\_\_\_\_ TITLE: \_\_\_\_\_



RECOMMENDED PCB LAYOUT



PACKAGED ON TAPE & REEL  
SUPPORT 10M/100M/1000M



PACKAGED ON TAPE & REEL

**SPECIFICATIONS:**  
Material:  
Insulator: Hi-Temp Thermoplastic, rated UL 94V-0, Color: Black  
Module Case: Hi-Temp Thermoplastic, rated UL 94V-0, Color: Black  
RJ Contacts: Phosphor Bronze  
Solder Tail: Brass,  
Shield: Stainless, Nickel plated  
Plating:  
Round contact  
Gold over Nickel underplate overall  
Flat contact  
Gold over Nickel underplate on contact area,  
Matte Tin over Nickel underplate on solder tails  
Electrical:  
Insulation resistance: 500 Mohms min  
Dielectric withstanding voltage: 1,500 VAC OR 2250 VDC for 1 minute  
Temperature Rating:  
Operating temperature: 0°C to +70°C  
Environmental:  
Lead free, RoHS compliant.



UNLESS OTHERWISE SPECIFIED ALL DIMENSIONS ARE INCHES [MM]. TOLERANCES: EXCEPT AS NOTED

INCHES		HOLES	
.X	± .10	∅X	± .10
.XX	± .020	∅XX	± .015
.XXX	± .015	∅XXX	± .010

DRAWN	HR	8/28/17
CHECKED	YC	8/28/17
APPROVED		

THIS DRAWING CONTAINS INFORMATION THAT IS PROPRIETARY AND SHOULD NOT BE USED WITHOUT PRIOR WRITTEN PERMISSION FROM ADAM TECH

**ADAM TECH** 909 Rahway Avenue,  
Union, NJ 07083  
Phone: 908-687-5000  
Fax: 908-687-5710

TITLE: MODULAR JACK, 1 PORT, 8P8C  
W/ LED1 GREEN, LED2 ORANGE

SIZE	PART NO.	REV.
X	MTJ-88TUX1-FSD-VL5-M236Y-HT-TR	A

REF: S00111C SCALE: NTS SHEET 1 OF 2

6 5 4 3 2 1

Rev	AWO #	Description	Date	Appr
SEE SHT 1 OF 2 FOR REVISION				

APPROVED: \_\_\_\_\_  
 DATE: \_\_\_\_\_ TITLE: \_\_\_\_\_

Emitting Color	$\lambda_p$ (nm)	$V_f$ @ $I_f=20mA$	$I_r$ @ $V_r=5V$
Green	565	1.7V~2.6V	10 $\mu$ A max.
Orange	605	1.7V~2.6V	10 $\mu$ A max.

ELECTRICAL CHARACTERISTICS :

- INSERTION LOSS :  
 - 1~100 MHz -1.0dB MAX.
- RETURN LOSS(LOAD 100 $\Omega$ ) :  
 - 1~30 MHz -18dB MIN  
 - 30~60 MHz -16dB MIN  
 - 60~80 MHz -12dB MIN  
 - 80~100 MHz -10dB MIN
- COMMON MODE REJECTION  
 - 1~100 MHz -30dB MIN
- CROSS TALK  
 - 1~100 MHz -30dB MIN
- INDUCTANCE @ 100KHz, 0.1V, 8mA DC BIAS  
 - (P1-P2),(P3-P4),(P7-P8),(P9-P10) : 350 uH MIN
- HI-POT TEST  
 - PCB SIDE TO CABLE SIDE : 1500VAC 60S OR 2250VDC 60S
- URNS RATION 100KHz  
 - (P1-P2) : (J1-J2) = 1:1  $\pm$ 5%  
 - (P3-P4) : (J3-J6) = 1:1  $\pm$ 5%  
 - (P7-P8) : (J4-J5) = 1:1  $\pm$ 5%  
 - (P9-P10) : (J7-J8) = 1:1  $\pm$ 5%

UNLESS OTHERWISE SPECIFIED ALL DIMENSIONS ARE INCHES [MM]. TOLERANCES: EXCEPT AS NOTED

INCHES		HOLES	
.X	$\pm$ .10	$\varnothing$ .X	$\pm$ .10
.XX	$\pm$ .020	$\varnothing$ .XX	$\pm$ .015
.XXX	$\pm$ .015	$\varnothing$ .XXX	$\pm$ .010

**ADAM**  
**TECH**

909 Rahway Avenue,  
 Union, NJ 07083  
 Phone: 908-687-5000  
 Fax: 908-687-5710

DRAWN	HR	8/28/17
CHECKED	YC	8/28/17
APPROVED		

TITLE: MODULAR JACK, 1 PORT, 8P8C  
 W/ LED1 GREEN, LED2 ORANGE

THIS DRAWING CONTAINS INFORMATION THAT IS PROPRIETARY AND SHOULD NOT BE USED WITHOUT PRIOR WRITTEN PERMISSION FROM ADAM TECH.

SIZE	PART NO.	REV.
X	MTJ-88TUX1-FSD-VL5-M236Y-HT-TR	-

REF: S00111C SCALE: NTS SHEET 2 OF 2

6 5 4 3 2 1