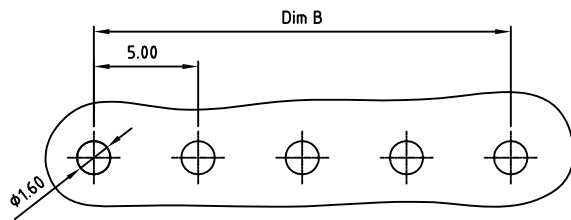
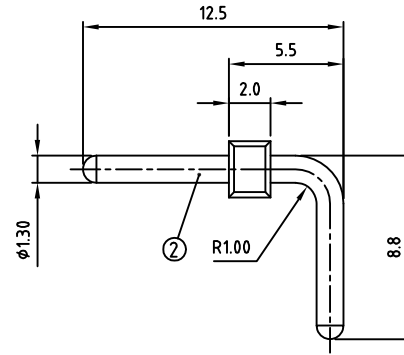
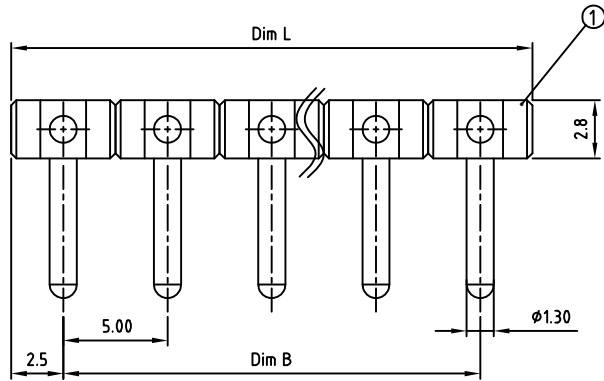


Transfer or duplication of this document as well as the utilisation or communication of its content are not permitted unless express consent is granted. Violations give rise to claims for damages. All rights reserved in case of patent, utility model or design patent registrations.



P.C.B. LAYOUT

Technical data

- 1.Nominal voltage: 300V/14A
PITCH:5.0mm
- 2.Insulation Withstanding Voltage:
AC 1600V/MIN
- 3.Insulation Resistance:
1000MΩ or more at DC500V
- 4.Operating temperature range:-40°C ~ 115°C
Soldering temperature:250°C±10°C /5s
- 5.Undimensioned Tolerances:

Dim.L=P×5.0		
Dim.B=(P-1)×5.0		
P= number of poles(2-24p)		
	Dim B	Dim L
0-30mm	±0.15	±0.20
over 30mm-60mm	±0.20	±0.25
over 60mm-90mm	±0.25	±0.30
over 90mm	±0.35	±0.40

- 6.Safety approval:
- 7.RoHS Compliance

Part No.: **OSTOPXX0F00**

No. of Poles
 02 2 Poles
 03 3 Poles

 24 24 Poles

SIGN	DESCRIPTION	CHK.	DATE

2	PIN	BRASS	TIN PLATED	P
1	BODY	PA66 UL94V-0	ALL COLOR	1
ITEM	NAME OF PART	MATERIAL	NOTES	Q'TY
DWG.	WF. Zhang	DATE 2017.09.22	UNITS: MM	SHEET: 1 OF 1
CHK.	WF. Zhang	DATE 2017.09.22	SCALE: NONE 2:1 (:)	REV: A
APP.		DATE	TITLE: OSTOP 5.0 Series 90D	X.X ±0.50
			Ø1.30mm (8.8*12.5) black	X.XX ±0.30
			PART NO. OSTOPXX0F00	X° ±1°
			DWG NO. OSTOPXX0F00.dwg	



ON-SHORE TECHNOLOGY, INC.