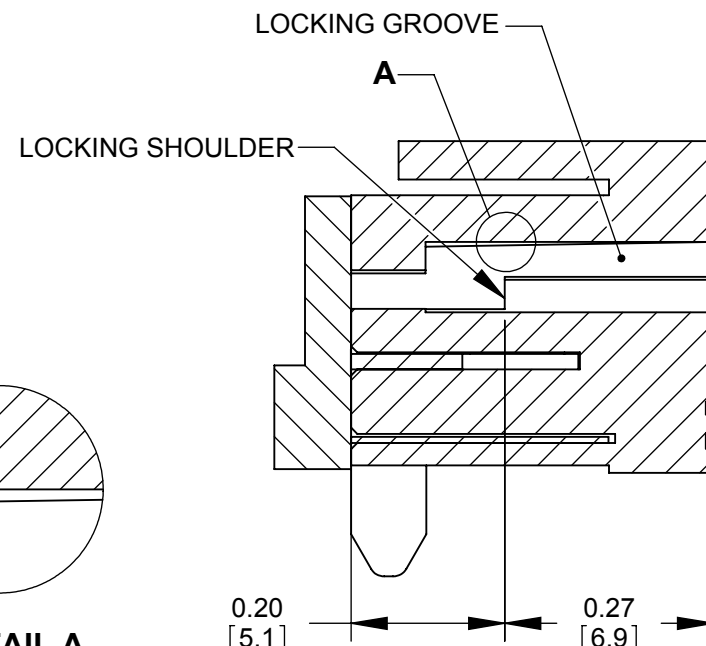
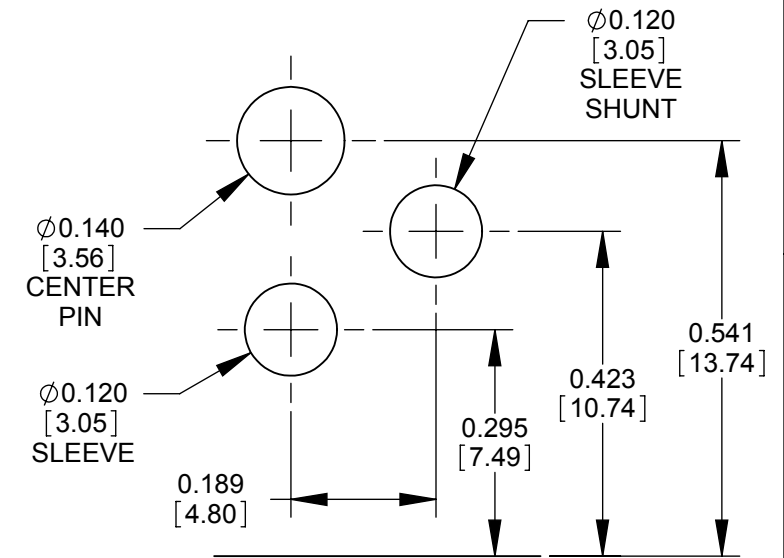


DETAIL A
SCALE 14 : 1



SECTION A-A



ALTERNATE PC BOARD LAYOUT
(COMPONENT SIDE)

CUSTOMER DRAWING

NOTES:

- THIS PRODUCT IS RoHS COMPLIANT.
- MATERIALS:**
 CENTER PIN: COPPER ALLOY, NICKEL PLATED
 SLEEVE CONTACT: SPRING COPPER ALLOY, SILVER PLATED
 PIN TERMINAL AND SHUNT: COPPER ALLOY, SILVER PLATED
 HOUSING AND COVER: HIGH TEMPERATURE THERMOPLASTIC, BLACK
- SPECIFICATIONS:**
 LIFE: 5000 CYCLES;
 INSERTION FORCE: 5LB [2.3 KG] MAX;
 WITHDRAWL FORCE: 0.5 LB [0.2 KG] MIN;
 CONTACT RESISTANCE: 30 MILLIOHM MAX, 60 MILLIOHM MAX. AFTER TEST;
 INSULATION RESISTANCE: 30 MEGAOHM MIN. @ 100VDC;
 DIELECTRIC WITHSTANDING VOLTAGE: 250VAC FOR 1 MINUTE;
 CURRENT (CARRYING): 5A
 OPERATING TEMPERATURE: -30°C TO +65°C

REV	ECO NUMBER	DATE	BY	APVD
A	ECO 25775	1/22/07	BS	TJK
REVISIONS				

STAR SYMBOL DENOTES CRITICAL DIMENSION

UNLESS OTHERWISE SPECIFIED

1. ALL DIMENSIONS IN INCHES

- TWO PLACE DECIMALS ±0.02

- THREE PLACE DECIMALS ±0.005

DO NOT SCALE DRAWING

THIS DRAWING DESCRIBES A DESIGN CONSIDERED PROPRIETARY IN NATURE, DEVELOPED AND MANUFACTURED BY SWITCHCRAFT INC. AND IS RELEASED ON A CONFIDENTIAL BASIS FOR IDENTIFICATION PURPOSES ONLY.									
SIZE	WIDTH	MULT	LBS/M	TEMPER					
FINISH					MATERIAL				
SPEC No.					SPEC No.				
FIRST USED ON					SCALE				
					4:1				
DATE DRAWN	BY	CHKD	APVD						
1/17/07	BS	TJK	TJK						
			08/20/08						
NAME					PART No.				
LOCKING POWER JACK, PC, Ø0.08 [2.0mm], RoHS					RAPC722BK				
					REV				
					A				