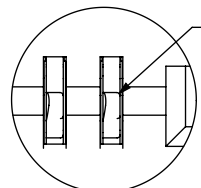
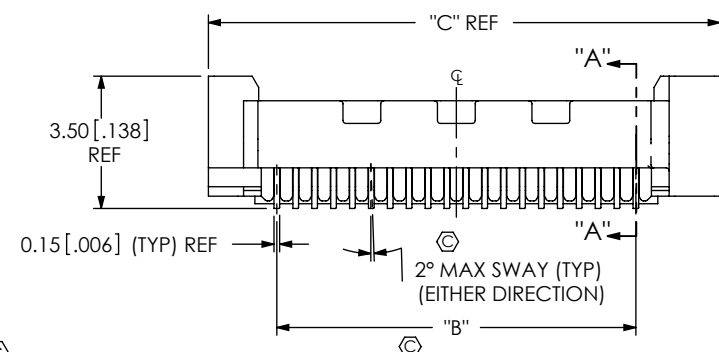
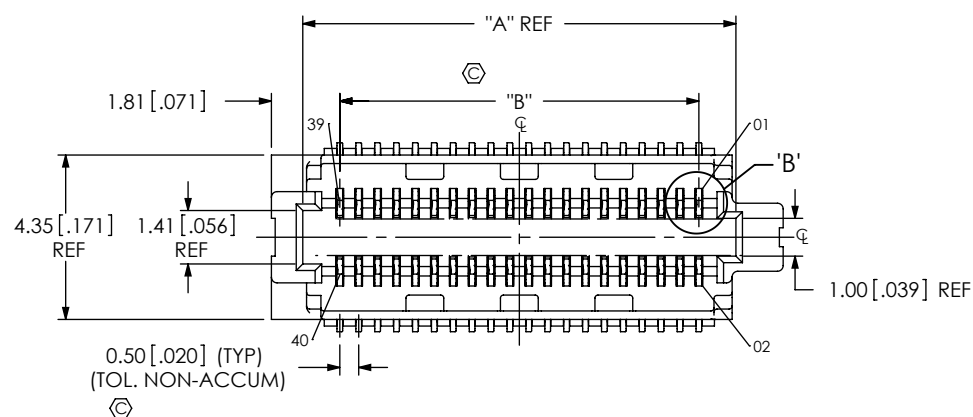


DESIGNED & DIMENSIONED
IN MILLIMETERS [INCHES]

SS5-XX-X.XX-X-D-K-TR

DO NOT
SCALE FROM
THIS PRINT



DETAIL 'B'
SCALE 15:1

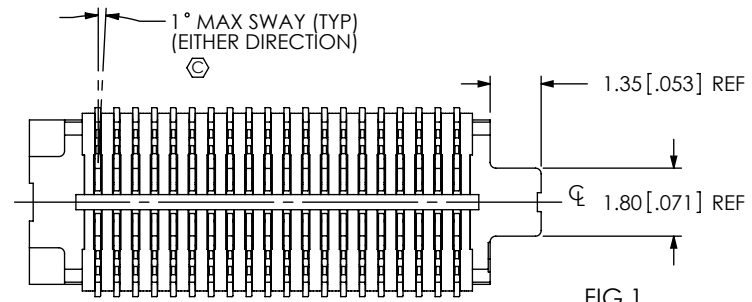


FIG 1
SS5-20-3.00-X-D-K-TR SHOWN

No OF POSITIONS
-10, -15, -20, -30, -40, -50
-60, -70, -80 (PER ROW)

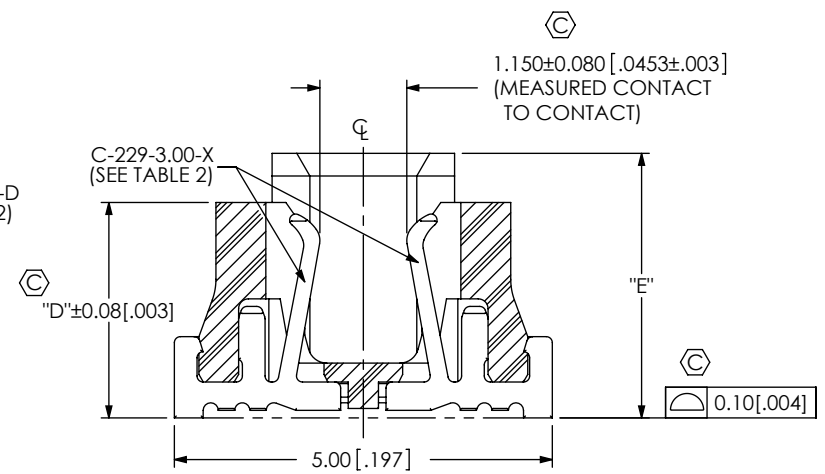
LEAD STYLE
-3.00: (USE C-229-3.00-X)
-3.50: (USE C-229-3.50-X)

PLATING SPECIFICATION
-L: 10µm SELECTIVE GOLD
IN CONTACT AREA,
MATTE TIN ON TAIL

PACKAGING
-TR: TAPE AND REEL
(SEE NOTE 3)

PLACEMENT PAD
-K: KAPTON PAD
(USE K-DOT-.138-.250-.005)
(SEE FIG 3, SHT 2)

ROW SPECIFICATION
-D: DOUBLE



SECTION "A"-A"
SCALE TO : 1

No OF POS	"A"	"B"	"C"
-10	6.46 [0.254]	4.50 [0.177]	8.54 [0.336]
-15	8.96 [0.353]	7.00 [0.276]	11.04 [0.435]
-20	11.46 [0.451]	9.50 [0.374]	13.54 [0.533]
-30	16.46 [0.648]	14.50 [0.571]	18.54 [0.730]
-40	21.46 [0.845]	19.50 [0.768]	23.54 [0.927]
-50	26.46 [1.042]	24.50 [0.965]	28.54 [1.124]
-60	31.46 [1.239]	29.50 [1.161]	33.54 [1.320]
-70	36.46 [1.435]	34.50 [1.358]	38.54 [1.517]
-80	41.46 [1.632]	39.50 [1.555]	43.54 [1.714]

LEAD STYLE	"D"	"E"	BODY	CONTACT
-3.00	2.85 [0.112]	3.50 [0.138]	SS5-XX-3.00-D	C-229-3.00-X
-3.50	3.35 [0.132]	4.00 [0.157]	SS5-XX-3.00-D	C-229-3.50-X

UNLESS OTHERWISE SPECIFIED,
DIMENSIONS ARE IN MILLIMETERS.
TOLERANCES ARE:
DECIMALS ANGLES
.X: ±0.3 [.01] 2°
.XX: ±0.13 [.005]
.XXX: ±0.051 [.0020]

PROPRIETARY NOTE
THIS DOCUMENT CONTAINS INFORMATION
CONFIDENTIAL AND PROPRIETARY TO
SAMTEC, INC. AND SHALL NOT BE REPRODUCED
OR TRANSFERRED TO OTHER DOCUMENTS OR
DISCLOSED TO OTHERS OR USED FOR ANY
PURPOSE OTHER THAN THAT WHICH IT WAS
OBTAINED WITHOUT THE EXPRESSED WRITTEN
CONSENT OF SAMTEC, INC.

samtec
520 PARK EAST BLVD. NEW ALBANY, IN 47150
PHONE: 812-944-6733 FAX: 812-948-5047
e-Mail: info@SAMTEC.com code: 55322

MATERIAL: DO NOT SCALE DRAWING SHEET SCALE: 5:1
INSULATOR: LCP, COLOR: BLACK
CONTACT: PHOS BRONZE
F:\DWG\MISC\MKTG\SS5-XX-X.XX-X-D-K-TR-MKT.SLDDRW

DESCRIPTION:
0.50mm SOCKET STRIP ASSEMBLY
DWG. NO.
SS5-XX-X.XX-X-D-K-TR
BY: VICKY Z 04/02/2012 SHEET 1 OF 2

NOTES:

- ⊗ REPRESENTS A CRITICAL DIMENSION.
- MINIMUM PUSHOUT FORCE: 1.11N [.5 LB].
- FOR QUANTITIES UP TO 49 PIECES, NO LEADER, TRAILER, OR REEL WILL BE SUPPLIED.
FOR QUANTITIES OF 50-124 PIECES, NO LEADER OR TRAILER WILL BE SUPPLIED.

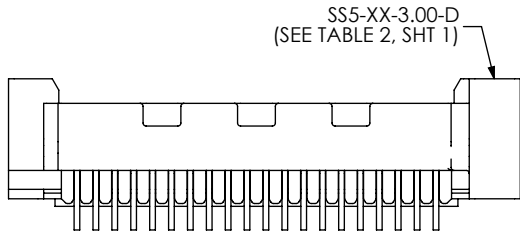


FIG 2
SS5-20-3.50-X-D SHOWN
(DIFFERENT AS SHOWN, OTHERWISE SAME AS FIG 1)

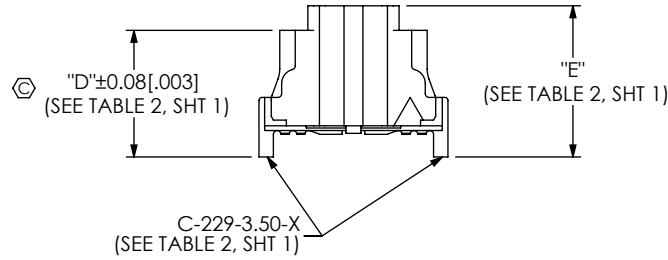


TABLE 3 REF			
STACK HEIGHT			
SS5 LEAD STYLE	ST5 LEAD STYLE		
	-1.00	-1.50	**2.50
-3.00	4.0MM	4.5MM	5.5MM
-3.50	4.5MM	5.0MM	6.0MM

(** = NOT TOOLED)

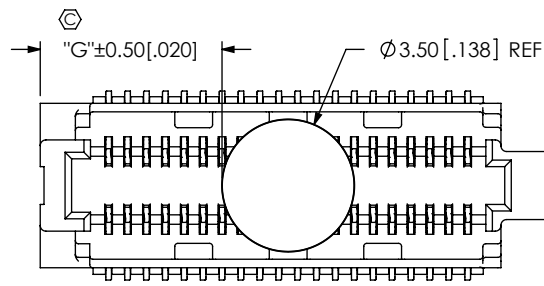


FIG 3
-K: KAPTON OPTION
SS5-20-3.00-X-D-K SHOWN
(USE K-DOT-.138-.250-.005)
(DIFFERENT AS SHOWN, OTHERWISE SAME AS FIG 1)

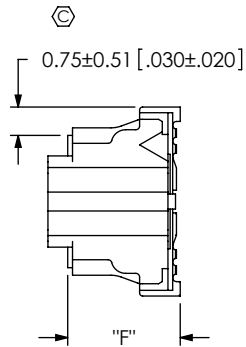


TABLE 4	
LEAD STYLE	"F"
-3.00	2.98 [0.117]
-3.50	3.48 [0.137]

TABLE 5	
No OF POS	"G"
-10	2.31 [0.091]
-15	3.56 [0.140]
-20	4.81 [0.189]
-30	7.31 [0.288]
-40	9.81 [0.386]
-50	12.31 [0.485]
-60	14.81 [0.583]
-70	17.31 [0.681]
-80	19.81 [0.780]

F:\DWG\MISC\MKTG\SS5-XX-X.XX-X-D-K-TR-MKT.SLDDRW

PROPRIETARY NOTE
THIS DOCUMENT CONTAINS INFORMATION CONFIDENTIAL AND PROPRIETARY TO SAMTEC, INC. AND SHALL NOT BE REPRODUCED OR TRANSFERRED TO OTHER DOCUMENTS OR DISCLOSED TO OTHERS OR USED FOR ANY PURPOSE OTHER THAN THAT WHICH IT WAS OBTAINED WITHOUT THE EXPRESSED WRITTEN CONSENT OF SAMTEC, INC.

DO NOT SCALE DRAWING

SHEET SCALE: 5:1



520 PARK EAST BLVD, NEW ALBANY, IN 47150
PHONE: 812-944-6733 FAX: 812-948-5047
e-Mail: info@SAMTEC.com code: 55322

DESCRIPTION:
0.50mm SOCKET STRIP ASSEMBLY

DWG. NO.
SS5-XX-X.XX-X-D-K-TR

BY: VICKY Z 04/02/2012 SHEET 2 OF 2