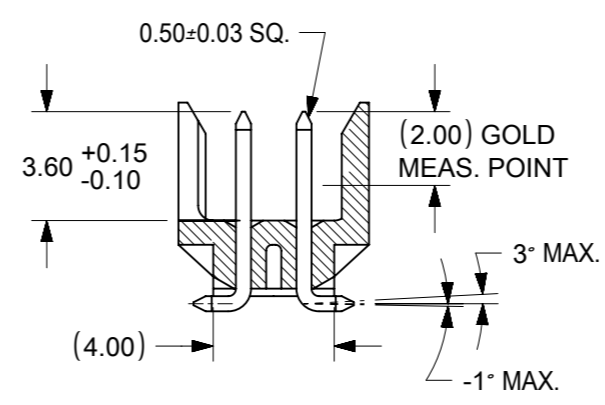
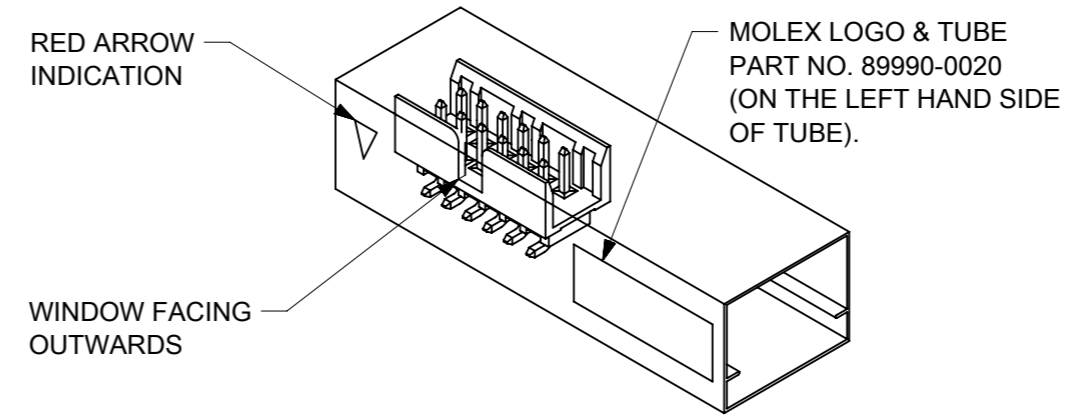


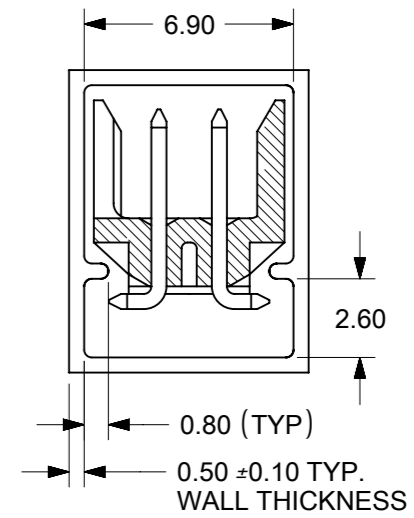
RECOMMENDED PCB PATTERN



SECTION Z-Z



ORIENTATION OF PART IN TUBE.
(FOR THE REFERENCE OF PART/TUBE ASSEMBLY.)



P/N WITHOUT CAP IN TUBE	CKT SIZE	DIMENSION			
		A	B	C	D
87832-103*	10	8.00	12.65	10.60	-
87832-143*	14	12.00	16.65	10.60	8.00
87832-203*	20	18.00	22.65	10.60	14.00
87832-263*	26	24.00	28.65	26.60	20.00
87832-303*	30	28.00	32.65	10.60	24.00
87832-343*	34	32.00	36.65	10.60	28.00
87832-403*	40	38.00	42.65	10.60	34.00
87832-443*	44	42.00	46.65	10.60	38.00
87832-503*	50	48.00	52.65	10.60	44.00

PART NUMBER LEGEND:

- 87832 - ***
CKT SIZE | PLATING OPTION
- 30 - 0.38µm / 15µin GOLD IN CONTACT AREA AND 1.88µm / 75µin MIN. TIN IN SOLDER TAIL AREA OVER 1.27µm / 50µin MIN. NICKEL OVERALL.
 - 31 - 0.76µm / 30µin GOLD IN CONTACT AREA AND 1.88µm / 75µin MIN. TIN IN SOLDER TAIL AREA OVER 1.27µm / 50µin MIN. NICKEL OVERALL.

NOTES:

- PIN PUSHOUT FORCE: 0.91kg MIN. IN EITHER DIRECTION.
- MATERIAL:
HOUSING: 30% G.F., NYLON 46, UL94V-0, COLOR BLACK
PIN: 0.50mm SQ. PHOSPHOR BRONZE
- NO SIDE LOCKING SLOT FROM 4 TO 12 CKT SIZE.
- PRODUCT SPECIFICATION PS-87831-027 APPLIES.
- RIBS LOCATION VARIES DEPENDING ON CKT SIZE.
- 26 CKT SHOWN FOR ILLUSTRATION ONLY.
- THIS HEADER MATES WITH MOLEX:
 - CRIMP RECEPTACLE HOUSING, 51110 SERIES WITH CRIMP TERMINAL, 50394 SERIES.
 - 2mm MILLIGRID DUAL ROW IDT, 87568 SERIES.
- PARTS SHALL BE PACKED IN MOISTURE BARRIER BAG WITH DESICCANT GEL.

THIS DRAWING CONTAINS INFORMATION THAT IS PROPRIETARY TO MOLEX ELECTRONIC TECHNOLOGIES, LLC AND SHOULD NOT BE USED WITHOUT WRITTEN PERMISSION

ADDED BTB DIST. EC NO: 619055 DRWN: HK02 CHK'D: NMANE02 REV APPR: MRAMAKRISHNA	2019/05/15	2019/07/09	2019/07/09	GENERAL TOLERANCES (UNLESS SPECIFIED)	DIMENSION UNITS	SCALE	<p>MGRID, SHROUDED HEADER W/SLOT, STANDOFF, SMT</p> <p>PRODUCT CUSTOMER DRAWING</p> <p>SERIES: 87832 MATERIAL NUMBER: SEE TABLE CUSTOMER: GENERAL MARKET</p> <p>DOCUMENT NUMBER: SD-87832-019 DOC TYPE: PSD DOC PART: 001 SHEET NUMBER: 1 OF 2</p>
				MM INCH	MM NTS		
	4 PLACES	±	±	DRWN BY	DATE	ATSEE 2004/09/30	
	3 PLACES	±	±	CHK'D BY	DATE	KCLING 2004/11/03	
2 PLACES	± 0.2	±	APPR BY	DATE	SKTOH 2004/11/05		
1 PLACES	±	±	DRAWING SIZE	THIRD ANGLE PROJECTION	A3		
0 PLACES	±	±	ANGULAR TOL = 3.0				
			DRAFT WHERE APPLICABLE MUST REMAIN WITHIN DIMENSIONS				

BOARD TO BOARD (BTB) DISTANCE

HEADER	MATES WITH (RECEPTACLE)	BTB DIST.	PICTORIAL VIEW
87832	79107	8.14	
	78787	8.14	
	79108	8.14	
	79109	8.35	
	78788	8.35	

THIS DRAWING CONTAINS INFORMATION THAT IS PROPRIETARY TO MOLEX ELECTRONIC TECHNOLOGIES, LLC AND SHOULD NOT BE USED WITHOUT WRITTEN PERMISSION													
DIMENSION UNITS		SCALE		CURRENT REV DESC: ADDED BTB DIST.						molex			
mm		1:1											
GENERAL TOLERANCES (UNLESS SPECIFIED)				EC NO: 619055		2019/05/15		MGRID, SHROUDED HEADER W/SLOT, STANDOFF, SMT					
				DRWN: HK02		2019/07/09							
				CHK'D: NMANE02		2019/07/09		PRODUCT CUSTOMER DRAWING					
				APPR: MRAMAKRISHNA		2019/07/09							
				INITIAL REVISION:				DOCUMENT NUMBER		DOC TYPE	DOC PART	REVISION	
				DRWN: DRWN BY		XXXX/XX/XX		SD-87832-019		PSD	001	A4	
				APPR: APPR BY		XXXX/XX/XX							
ANGULAR TOL ± 3.0°				DRAFT WHERE APPLICABLE MUST REMAIN WITHIN DIMENSIONS		THIRD ANGLE PROJECTION		DRAWING		SERIES	MATERIAL NUMBER	CUSTOMER	SHEET NUMBER
								A3-SIZE		87832	GENERAL MARKET	2 OF 2	