

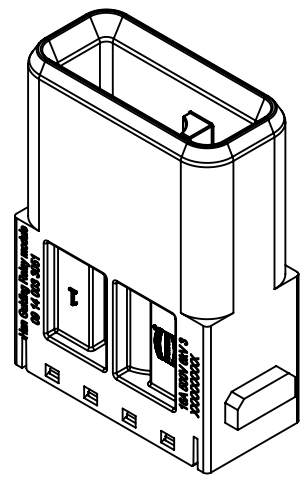
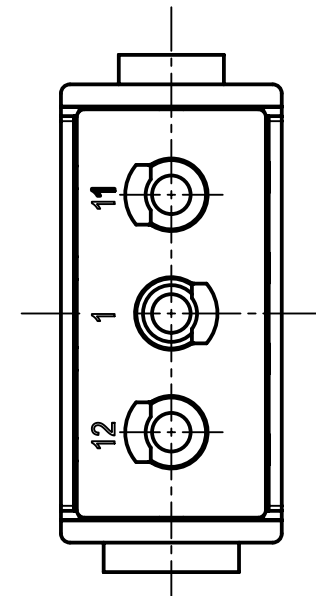
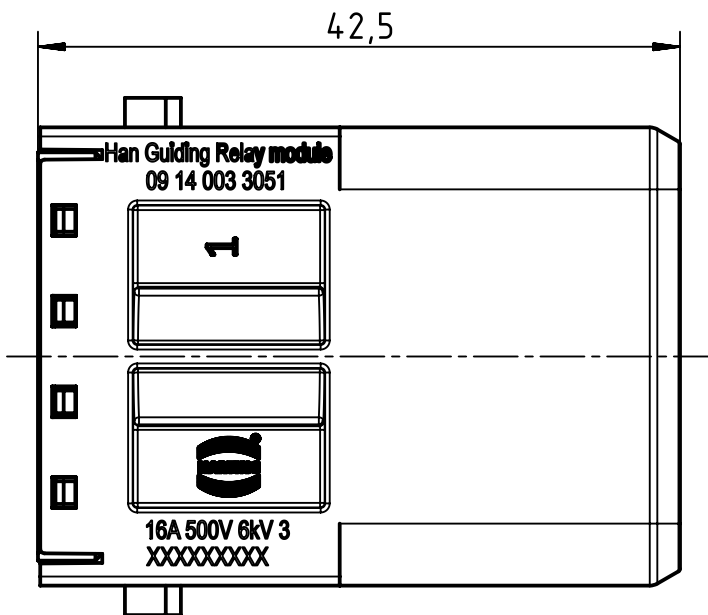
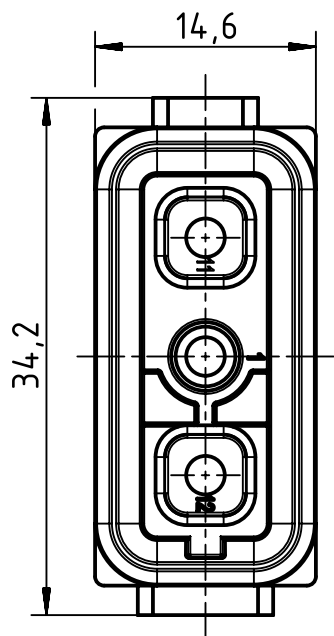
1 2 3 4 5 6

A

B

C

D



Guiding / Centering ± 4 mm

	All Dimensions in mm Original Size DIN A4		Scale 2:1	Free size tol.		Ref.		
						Sub.		
	All rights reserved		Created by LONGL	Inspected by DINGB	Standardisation RUETERA	Date 2019-01-15	State Final Release	
	Department EL PD		Title Han Guiding Relay module, male				Doc-Key / ECM-Nr. 100763289/UGD/000/B 500000143544	
HARTING Electric GmbH & Co. KG D-32339 Espelkamp			Type TB	Number 09 14 003 3051			Rev. B	Page 1/1