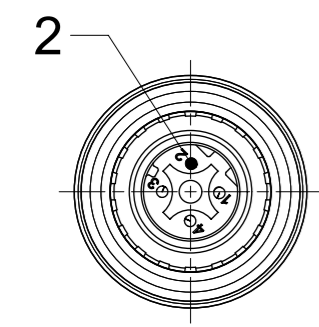


VIEW FROM THE FRONT SIDE

PIN	WIRE COLOR
1	YE
2	WH
3	OR
4	BU

SHIELD CONNECTED TO COUPLING NUTS



VIEW FROM THE FRONT SIDE

PART No. MATRIX

E	W	W	A	0	6	0	1	0	M	X	X	X
---	---	---	---	---	---	---	---	---	---	---	---	---

E=ETHERNET

HEADS:
W=M12 4-Pole Ultra Lock D-Coding
W=M12 4-Pole Ultra Lock D-Coding

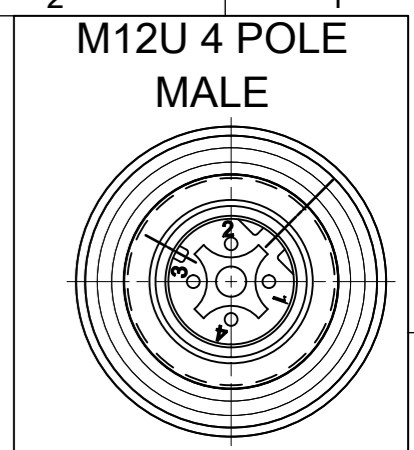
HEADS STYLE:
060=MALE STR / MALE STR

WIRING TYPE:
A=4 Pole STRAIGHT WIRED

CABLE TYPE

UNITS:
M = METER
T=10x METER

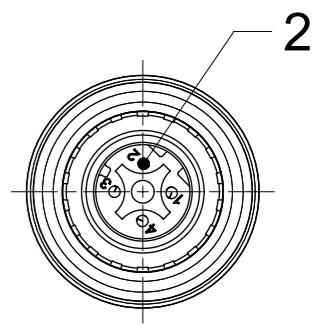
LENGTH EXAMPLES:
005=0.5m
010=1m
150=15m



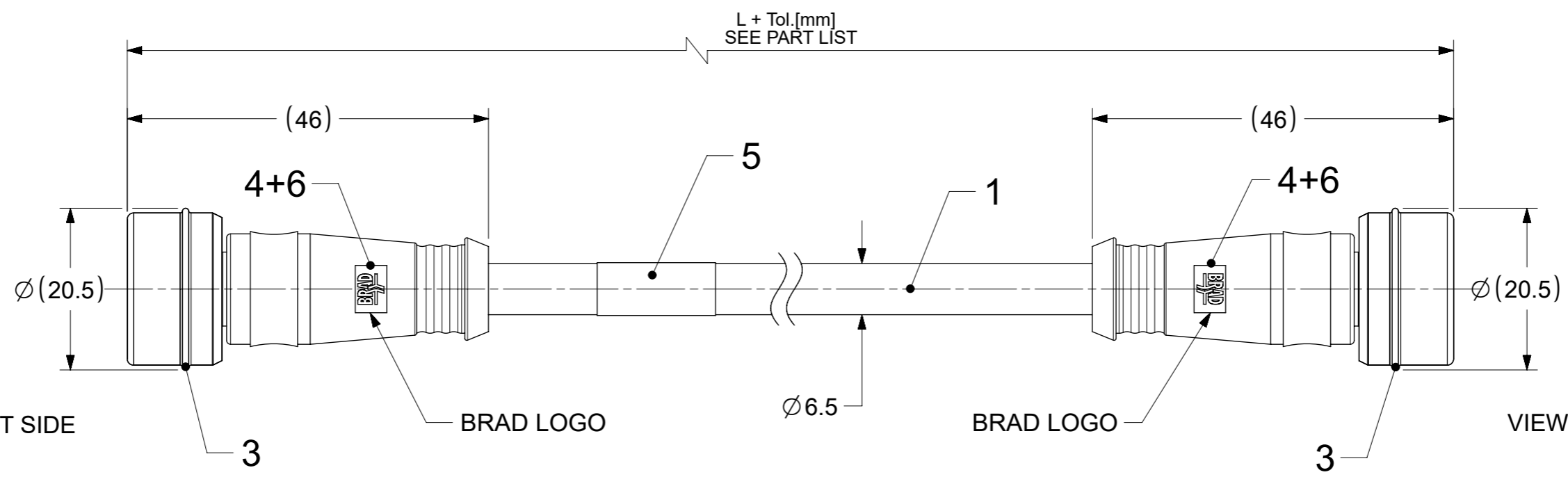
VIEW FROM THE FRONT SIDE

PIN	WIRE COLOR
1	YE
2	WH
3	OR
4	BU

SHIELD CONNECTED TO COUPLING NUTS



VIEW FROM THE FRONT SIDE



PART LIST

MOLEX PN	ENGINEERING No	L+Tol. [mm]
1201080089	EWWA06010M006	600+45
1201080090	EWWA06010M010	1000 +56
1201080091	EWWA06010M020	2000 +89
1201080092	EWWA06010M050	5000+165
1201080093	EWWA06010M100	10000+317
1201080094	EWWA06010M150	15000+622
DOCUMENT STATUS	P1	RELEASE DATE 2022/04/22 06:35:58

NOTES :

ACC. TO CAT5e ETHERNET STD.
MAX. VOLTAGE : 30V
MAX. CURRENT : 1.5A
IP RATING : IP67
TEMPERATURE RANGE : -20°C TO +75°C

BOM

ITEM	QTY.	DESCRIPTION	MATERIAL	FINISH/COLOR
6	2	SLEEVE SHIELD	BRASS	Ni-PLATED
5	1	LABEL	VINYL	YELLOW
4	-	MOULDING MATERIAL	TPU	BLACK
3	2	ULTRALOCK ASSEMBLY MALE	-	-
2	8	CONTACT MALE	BRASS	Au OVER Ni
1	-	ETHERNET CABLE CAT5eES	PUR	GREEN

FUNCTIONAL SYMBOLS ∇/A = 0 ∇/E = 0 ∇/V = 0	THIS DRAWING CONTAINS INFORMATION THAT IS PROPRIETARY TO MOLEX ELECTRONIC TECHNOLOGIES, LLC AND SHOULD NOT BE USED WITHOUT WRITTEN PERMISSION	CURRENT REV DESC:		<p>MIC 4P M/MP ULLOCK ST/ST XM</p>		
	DIMENSION UNITS: mm	SCALE: 3:2	EC NO: 703538			
	GENERAL TOLERANCES (UNLESS SPECIFIED)		DRWN: SSM 2022/03/28			
DIVISIONAL SYMBOLS	ANGULAR TOL ± 1.0°	4 PLACES ±		CHK'D: RSILLER 2022/04/22		
	3 PLACES ±	2 PLACES ± 0.05		APPR: RSILLER 2022/04/22		
	2 PLACES ±	1 PLACE ± 0.3		INITIAL REVISION:		
0 PLACES ± 0.5		1 PLACE ± 0.3		DRWN: SSM 2022/03/28		
DRAFT WHERE APPLICABLE MUST REMAIN WITHIN DIMENSIONS		THIRD ANGLE PROJECTION		DRAWING: A3-SIZE		
		SERIES: 120108		MATERIAL NUMBER: SEE PART LIST		
		CUSTOMER: GENERAL MARKET		DOCUMENT NUMBER: 1201080089		
		SHEET NUMBER: 1 OF 1		DOC TYPE: PSD		
				DOC PART: 000		
				REVISION: A		