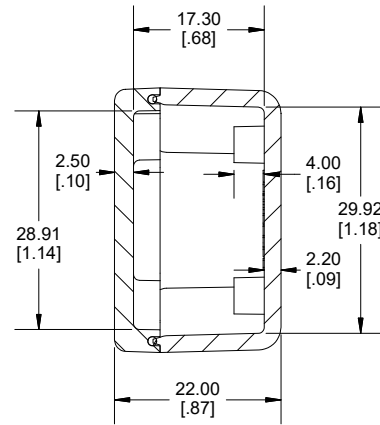
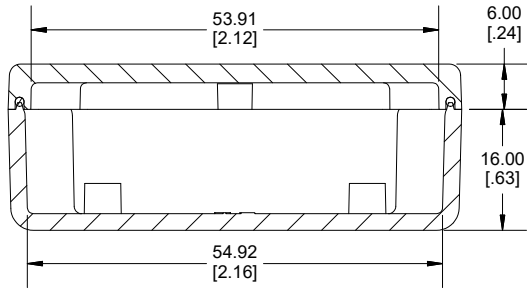
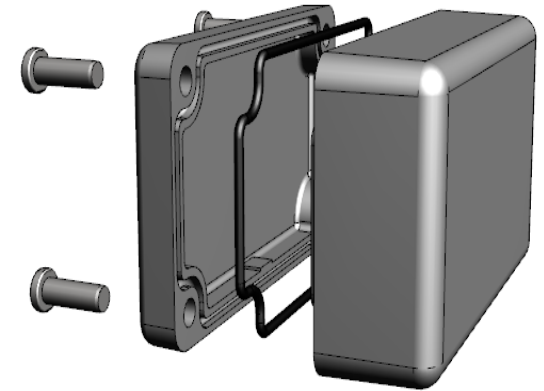


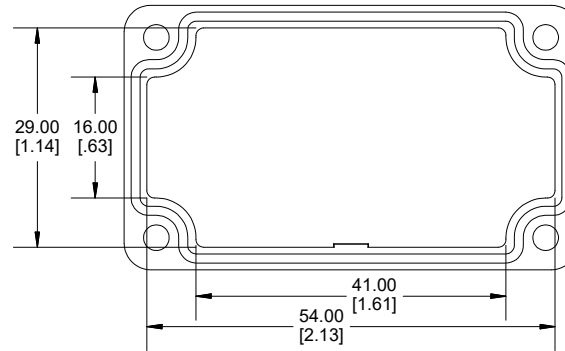
TOP VIEW



SECTION A-A
END VIEW

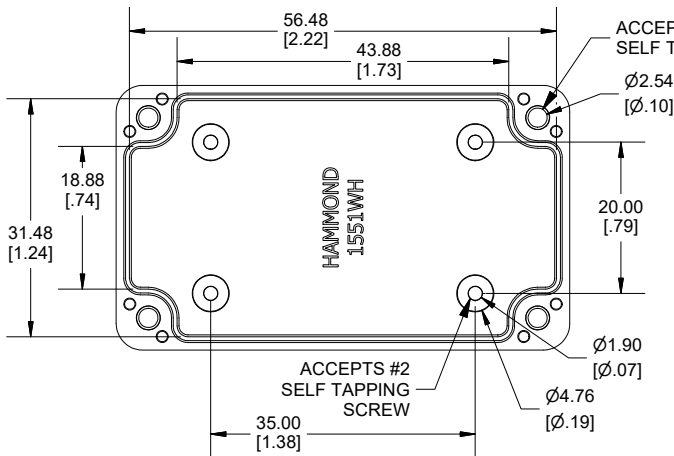


SECTION B-B
SIDE VIEW

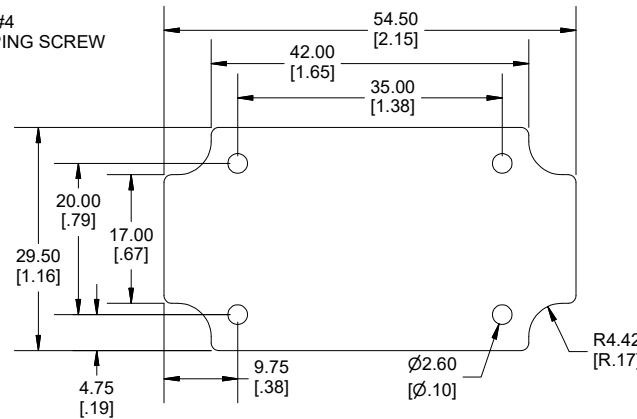


INSIDE LID

Enclosures can be Factory Modified (Milling, Drilling, Printing etc.)
 Contact Factory (modshop@hammfg.com) for quotes
 Solid models of this enclosure available in .stp or .x_t
 (Part number and text placement/orientation on our products are subject to change,
 we do not recommend using them as a locating reference for modification purposes)



BOTTOM VIEW



MAXIMUM
P.C. BOARD

Dimensions:
mm
[inches]

NOTE

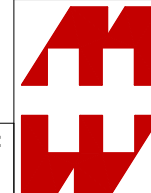
Purchased assembly includes box, lid, gasket, 4 cover screws.
 Polycarbonate material is rated UL94 - V0

Recommended Torque : #4 Cover screw (71-100) Ozf.in / (50-70) cN.m

Recommended Torque : #2 Internal screws (21-28) Ozf.in / (15-20) cN.m

PART NUMBERS

1551WH Enclosure	
Polycarbonate Black Enclosure	1551WHBK
Polycarbonate Gray Enclosure	1551WHGY
ACCESSORIES	
Internal Mounting Post Screw [#2 x 3/16" Plastite Self-tapping (4.8mm)]	1553WTS100 (Pkg 100)
Stainless Steel Cover Screws [#4 X 3/8" Plastite Self-tapping (9.5mm)]	SC509-50 (Pkg 50)



**HAMMOND
MANUFACTURING®**

1551WH

www.hammondmfg.com