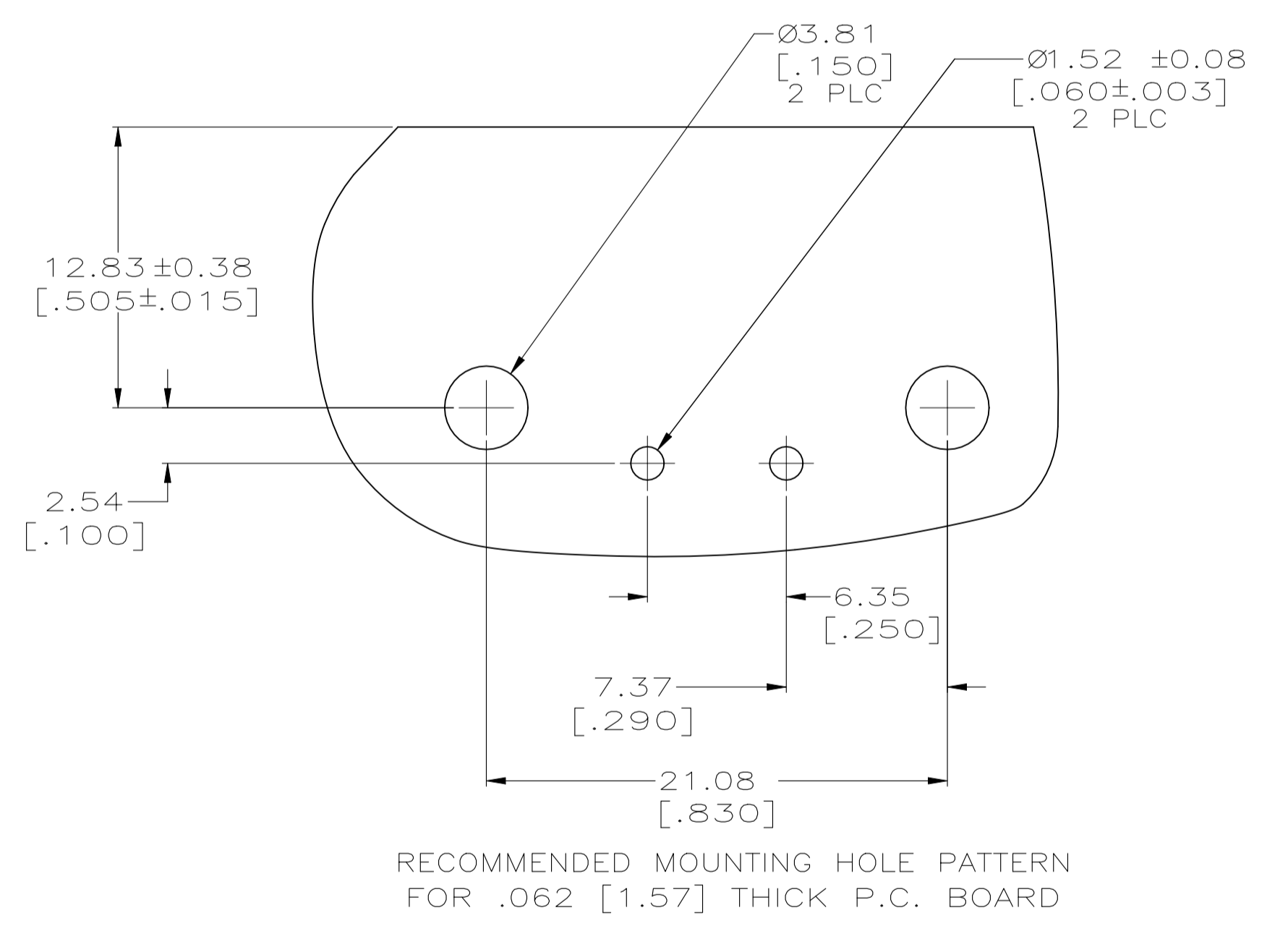
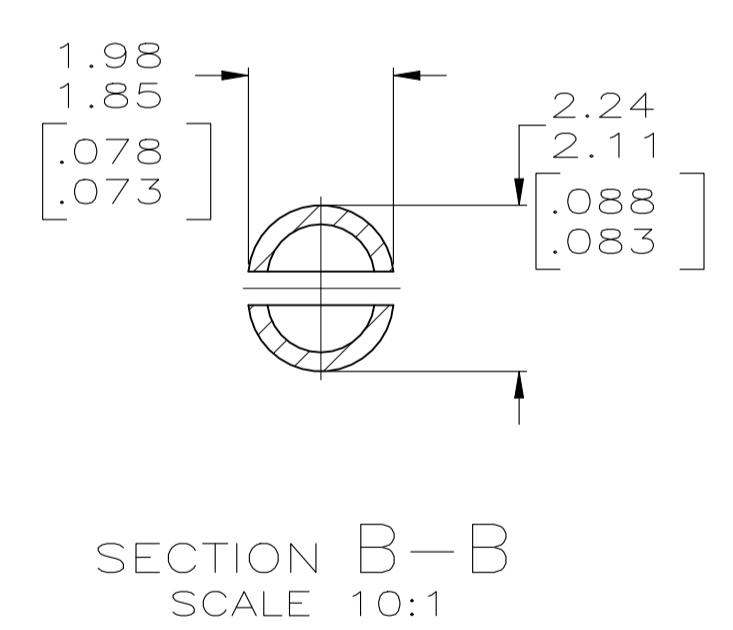
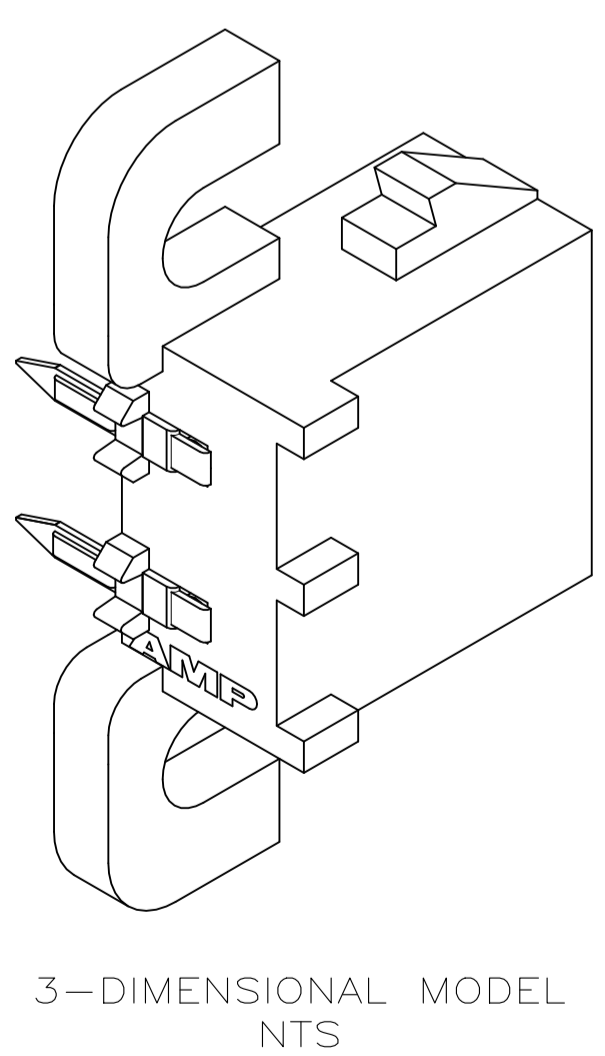
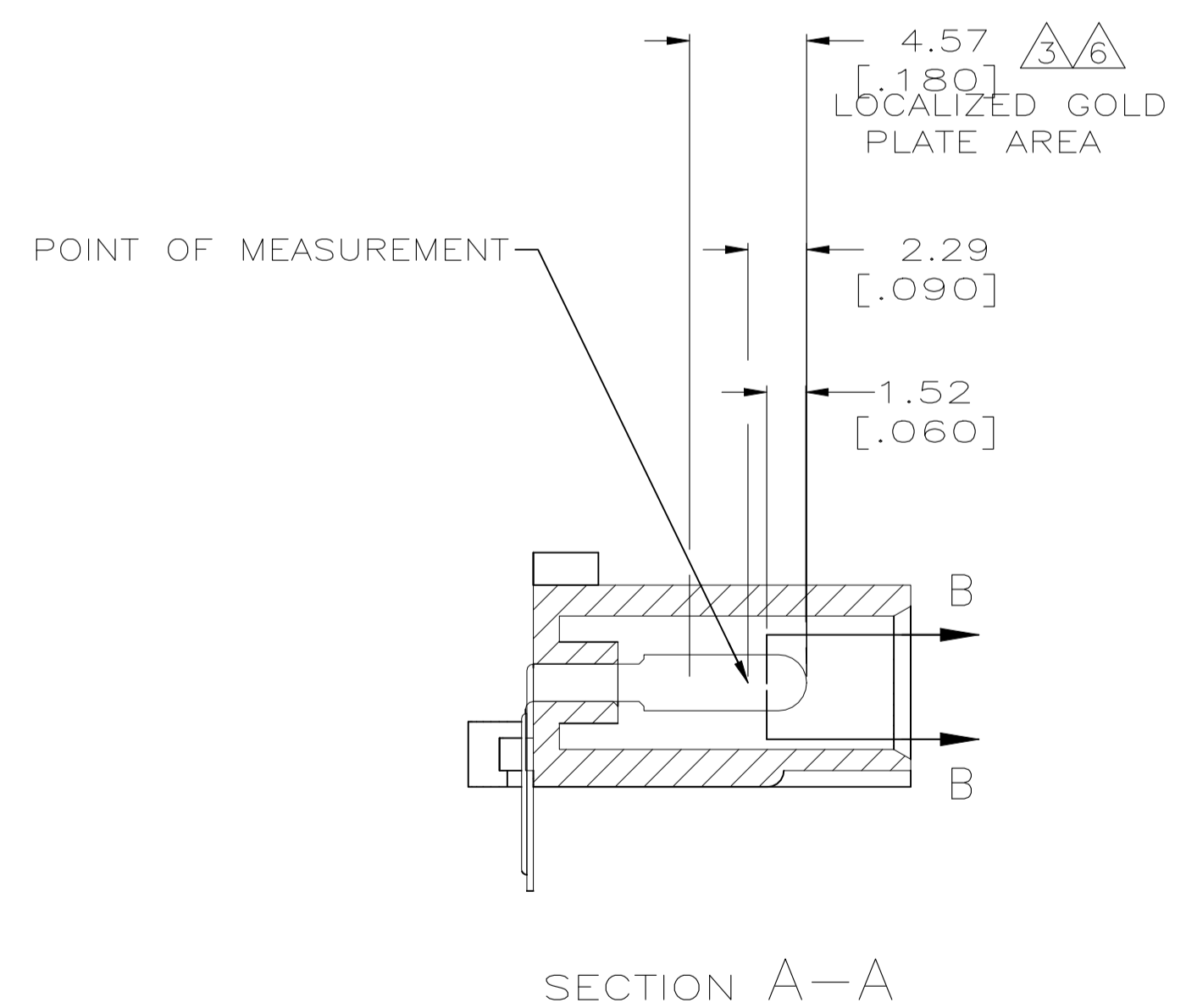
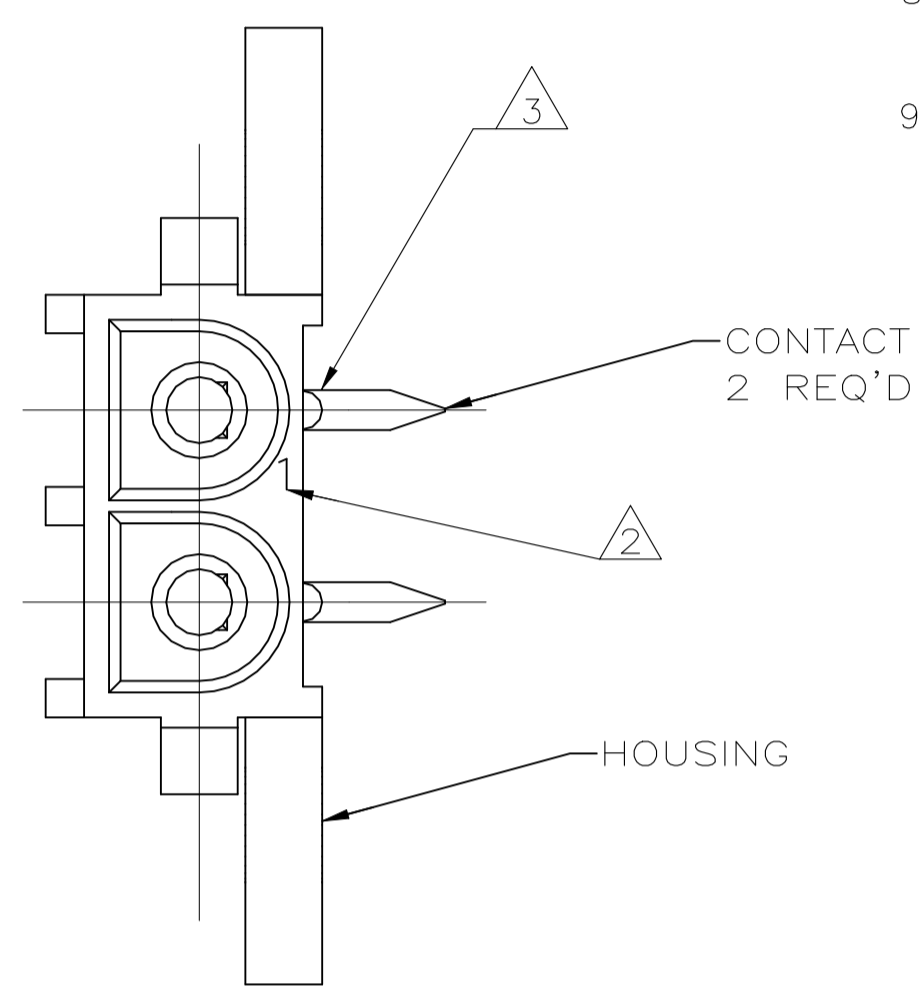
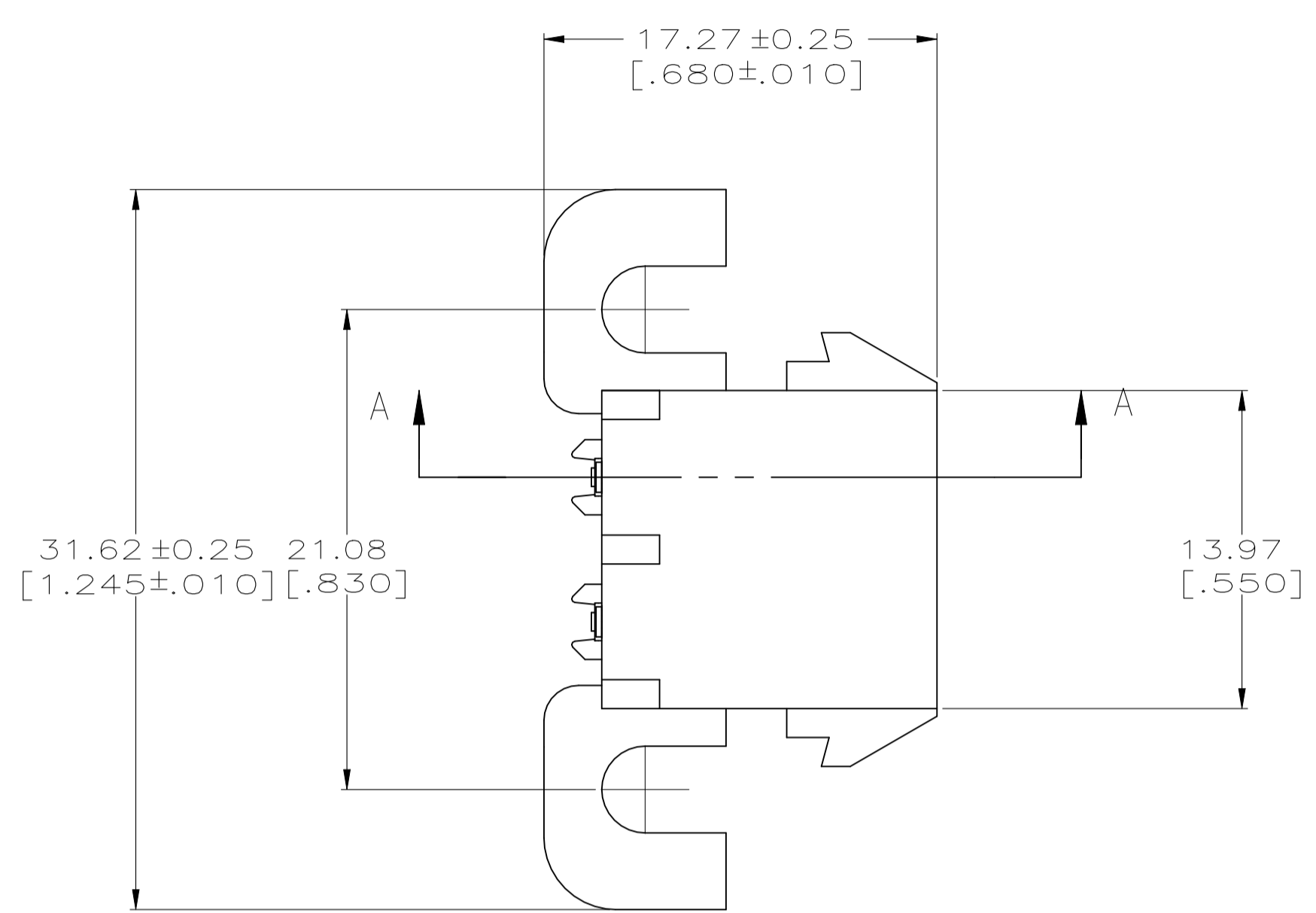
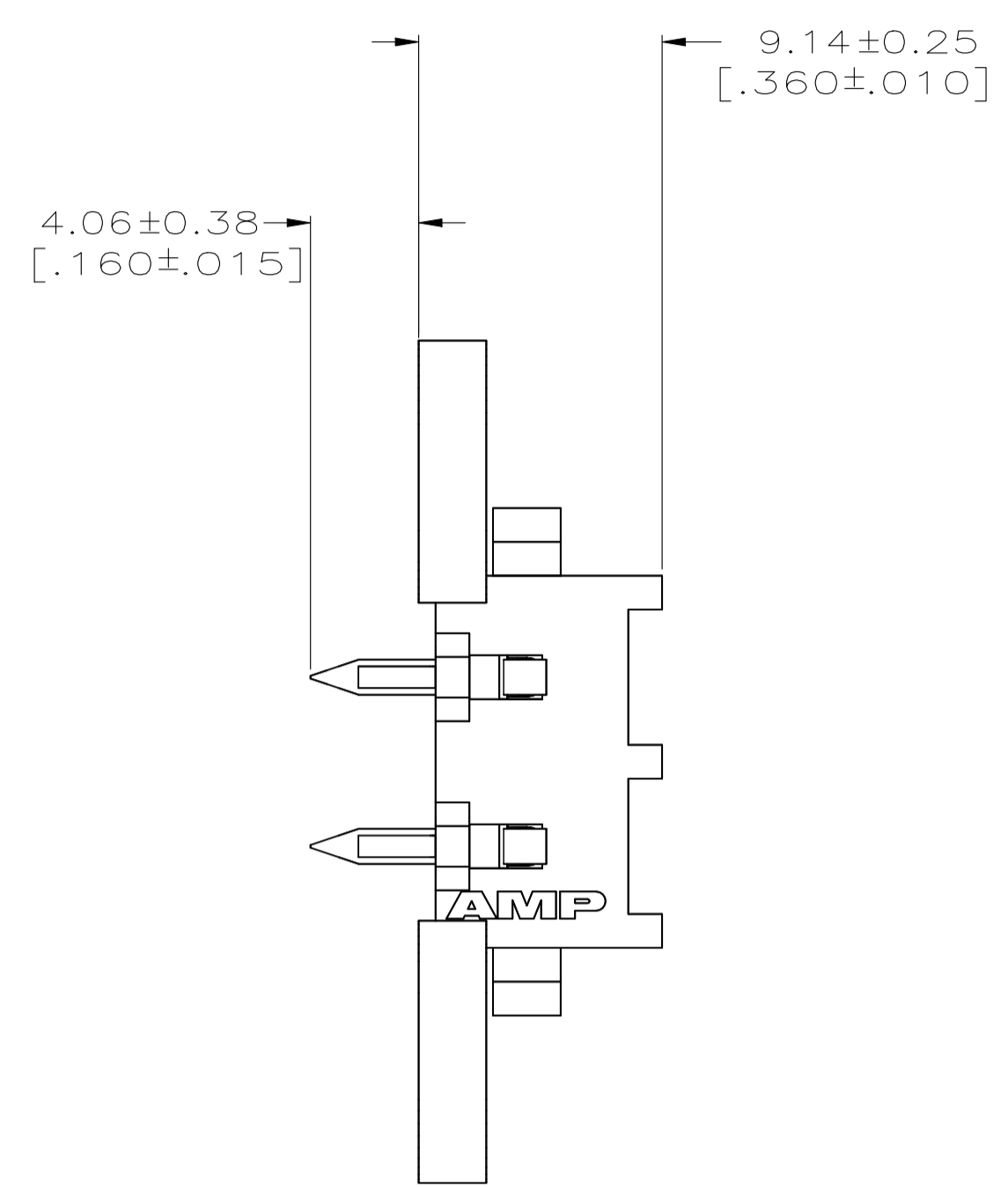


REVISIONS					
REV	DESCRIPTION	DATE	BY	APP'D	REV
B1	REVISED PER ECR-21-119230	02NOV2021	SS	VS	

- PARTS COMPLY WITH AMP SOLDERABILITY SPECIFICATION 109-11-5.
- CIRCUIT IDENTIFICATION CHARACTERS ARE ADJACENT TO THE INDICATED CAVITIES, BUT LOCATION AND ORIENTATION MAY DIFFER FROM PRINT.
- OPTIONAL CONSTRUCTION MAY DELETE THIS RIB.
- DIMENSIONS IN BRACKETS ARE IN INCHES.
- FLAMMABILITY V2 FOR THICKNESS 0.38mm, 1.5mm, and 3.0mm PER IEC 60695-11-10.
- GLOW-WIRE FLAMMABILITY (GWFI) 800°C FOR THICKNESS 0.38mm AND 0.75mm PER IEC 60695-2-12.
- GLOW-WIRE FLAMMABILITY (GWFI) 960°C FOR THICKNESS 1.5mm AND 3.0mm PER IEC 60695-2-12.
- GLOW-WIRE IGNITION (GWIT) 825°C FOR THICKNESS 0.38mm, 0.75mm, 1.5mm AND 3.0mm PER IEC 60695-2-13.
- DIMENSIONS SHOWN REPRESENT PRODUCT IN DRY CONDITION. ADDITIONAL 2% GROWTH DUE TO END USE LOCATION MOISTURE ABSORPTION MAY OCCUR AND SHOULD BE ACCOUNTED FOR.



METRIC

THIS DRAWING IS A CONTROLLED DOCUMENT.		DIN K WHITAKER 14MAR2008		PH BRZ TIN		NYLON UL 94V-2		1586889-1	
DIMENSIONS: mm [INCHES]		TOLERANCES UNLESS OTHERWISE SPECIFIED:		CONTACT		HOUSING		PART NO	
0 PLC ± -		1 PLC ± -		1		2		1586889-1	
2 PLC ± -		3 PLC ± 0.13 [0.005]		3		4		1586889-1	
4 PLC ± -		ANGLES ± -		APPROVED D COLEY 14MAR2008		NAME		PIN HEADER ASSEMBLY, RIGHT ANGLE MOUNT, 2 POSITION, UNIVERSAL MATE-N-LOK(TM)	
MATERIAL SEE TABLE		FINISH SEE TABLE		APPLICATION SPEC		SIZE		DRAWING NO	
				WEIGHT 0.000000		A1 00779		C=1586889	
				CUSTOMER DRAWING		SCALE 4:1		SHEET 1 of 1	