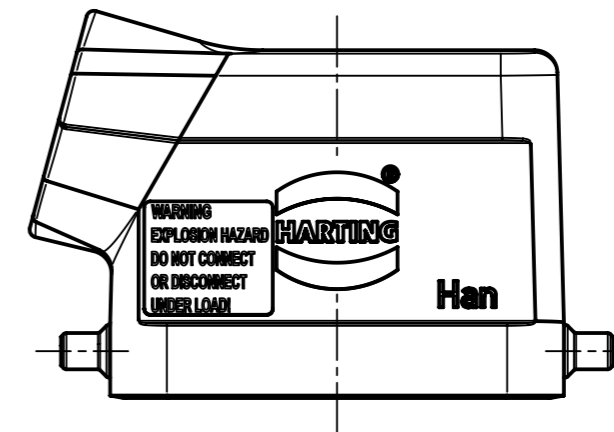
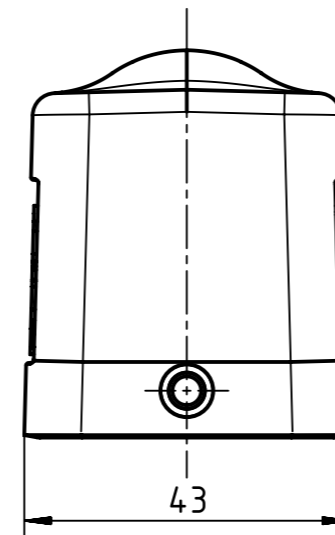
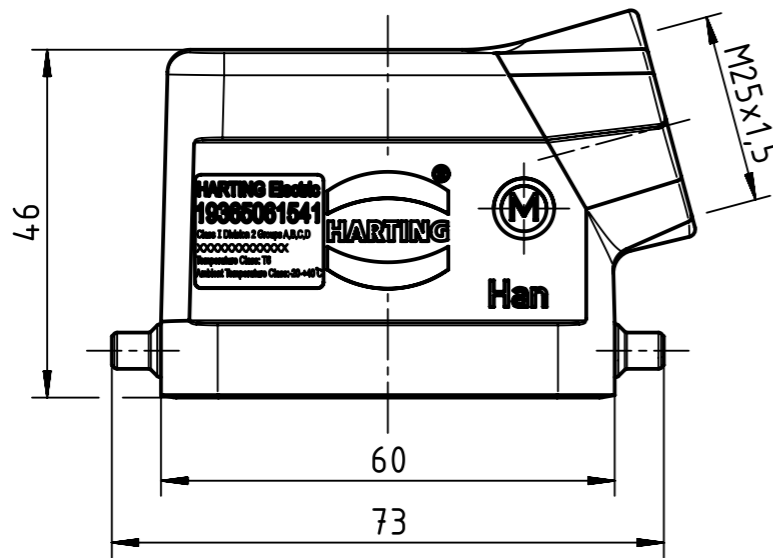
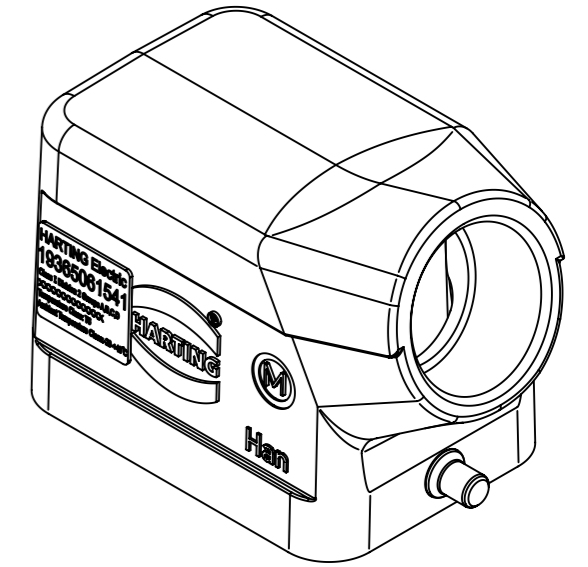


FOR USE WITH AWG 12, 14 AND 16

FOR USE WITH CABLE TYPE:
PLTC, PLTC-ER, ITC, ITC-ER, MC, MV AND TC

FOR USE IN CLASS I, DIVISION 2 GROUPS A, B, C AND D
HAZARDOUS LOCATIONS OR UNCLASSIFIED LOCATIONS



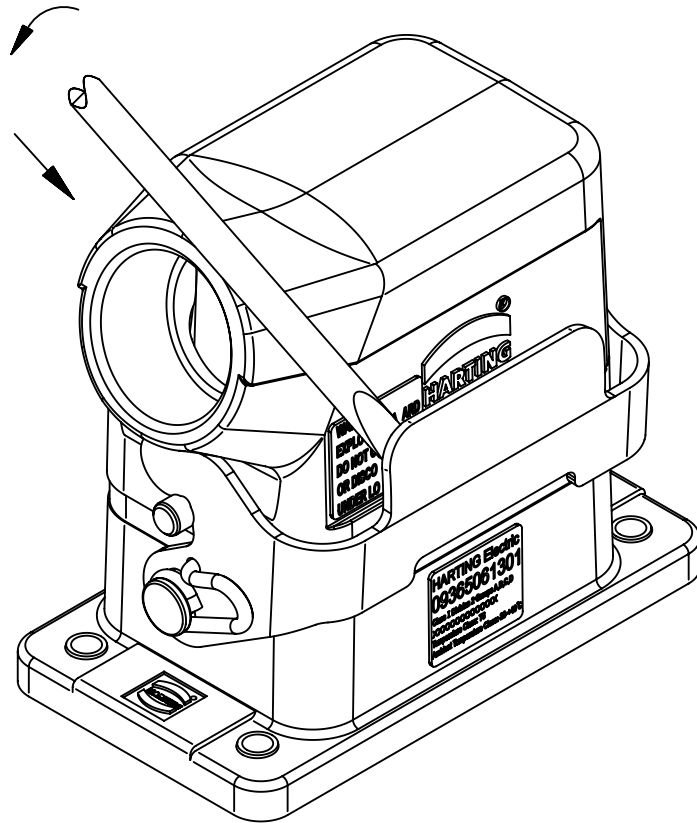
WARNING
EXPLOSION HAZARD
DO NOT CONNECT
OR DISCONNECT
UNDER LOAD!

THE INSTALLATION MUST BE IN ACCORDANCE WITH THE ASSOCIATED LOCATION RESTRICTIONS OF THE NATIONAL ELECTRIC CODE OR CANADIAN ELECTRICAL CODE AS APPLICABLE, INCLUDING ISSUES SUCH AS THE ROUTING, SUPPORT AND LENGTH OF THE INVOLVED CORD OR CABLE.

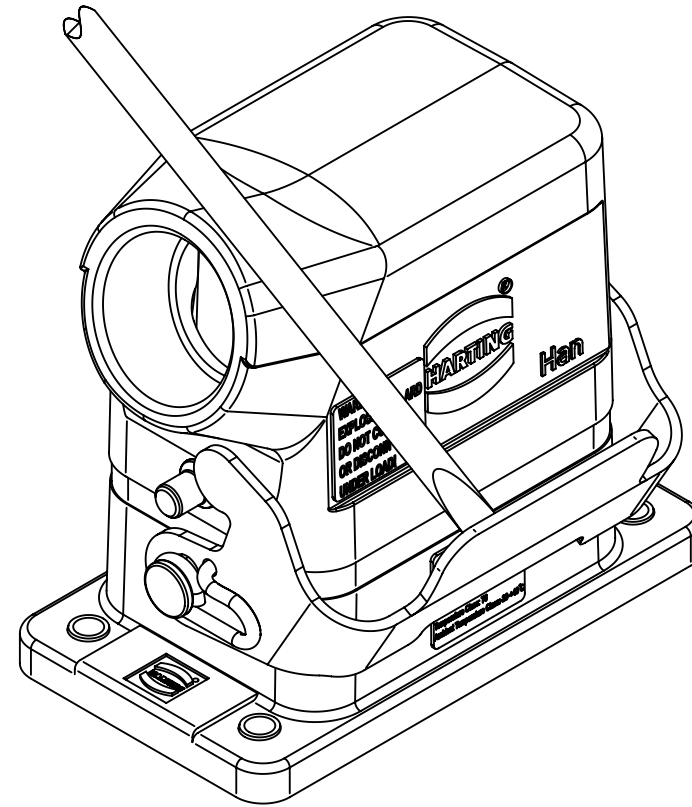
Coating	A=	mm ²	V=	mm ³	m=	g	Mat.
	All Dimensions in mm Original Size DIN A3		Scale	Free size tol.		Ref.	
			1:1			Sub.	
	All rights reserved Department EL PD		Created by LONGL	Inspected by WENE	Standardisation RUETERA	Date 2018-06-26	State Final Release
HARTING (Zhuhai) Manufacturing Co., Ltd. 519085 Zhuhai, China			Title Han 6Ex UL-HSE-M25		Doc-Key / ECM-Nr. 100670463/UGD/000/C 500000136857		
	Type	Number		Rev.		Page	
	TB	19 36 506 1541		C		1/2	

A

1.



2.



B

C

D

To separate connectors, insert small flat head tool or screwdriver between metal lever and housing as shown in the diagram,. Press screwdriver in a downward direction until the metal lever releases.

To secure the hood and housing assembly together, press the metal levers in the upward direction until metal lever latches into housing pins.