

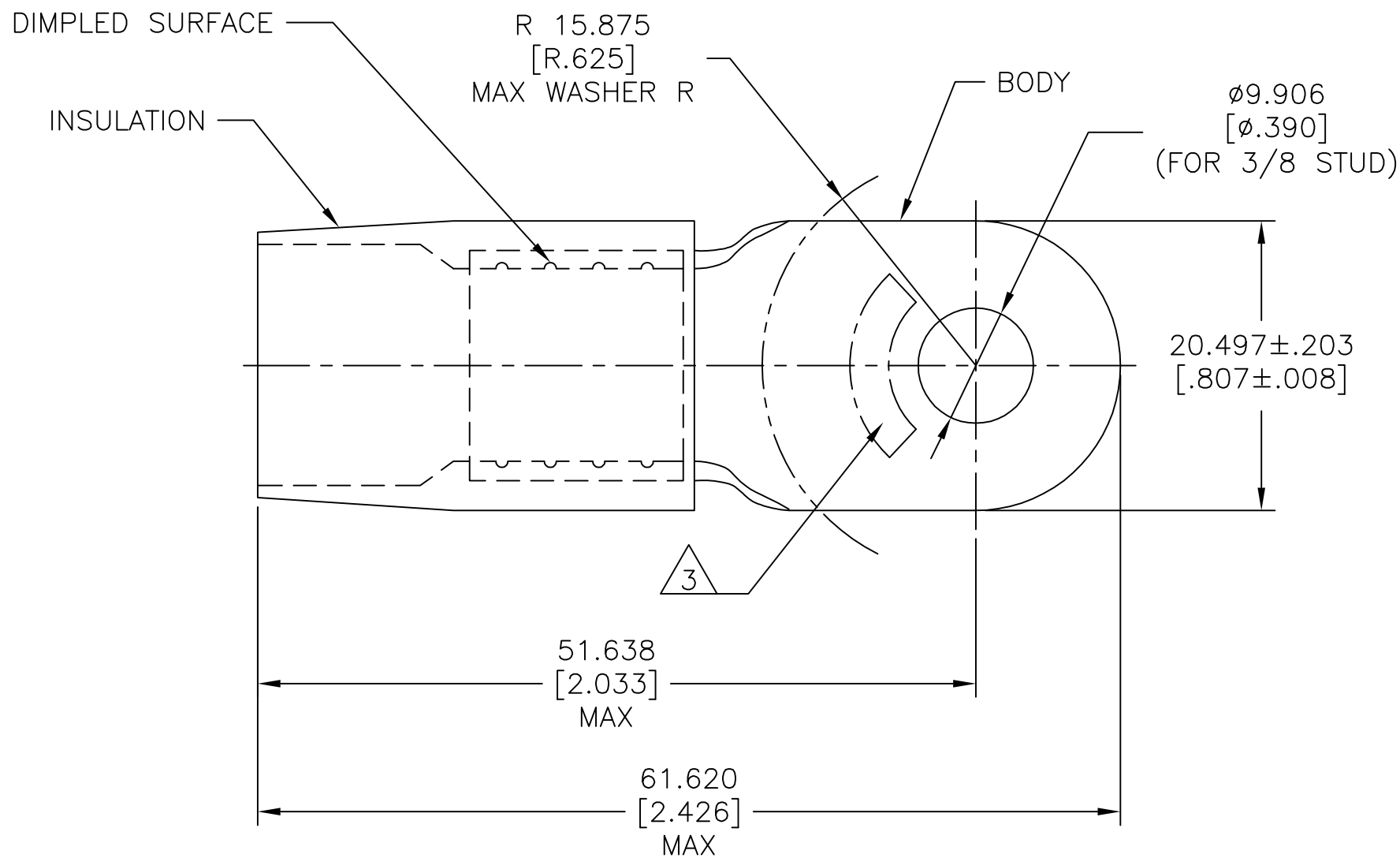
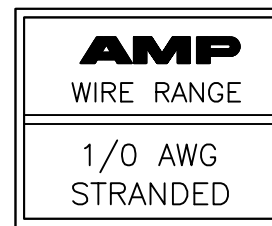
THIS DRAWING IS UNPUBLISHED.

RELEASED FOR PUBLICATION

ALL RIGHTS RESERVED.

REVISIONS

P	LTR	DESCRIPTION	DATE	DWN	APVD
	N1	REVISED PER ECO-11-004917	11MAR11	RK	HMR
	N2	REVISED PER ECO-17-014333	14OCT2017	RS	DR



- 1 BODY MATERIAL THK 1.778±0.051[.070±.002]
- 2 FOR Ø14.732[Ø.580] MAX WIRE INS.
- △ 3 STAMP AMP 1/0 W* APPROX AS SHOWN.

MS25036-133 CLASS 2	50	LOOSE PC	324057
MILITARY P/N AND CLASS	QTY	PACKAGE TYPE	PART NO

AMP INCORPORATED
CUSTOMER SERVICE SYSTEMS

MAX RECOMMENDED OPERATING TEMPERATURE:
105°C[221°F]

THIS DRAWING IS A CONTROLLED DOCUMENT.

DWN S.S. GOULDEN 6-21-93



FOR ADDITIONAL PRODUCT INFORMATION OR COPIES OF DRAWINGS AND TECHNICAL DOCUMENTS
PRODUCT INFORMATION CENTER
1-800-522-6752

VOLTAGE RATING:
-

DIMENSIONS:
mm [INCHES]

TOLERANCES UNLESS OTHERWISE SPECIFIED:

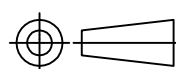
0 PLC	± -
1 PLC	± -
2 PLC	± -
3 PLC	± 0.127[.005]
4 PLC	± -
ANGLES	± -

CHK R. HERSEY 6-21-93

NAME
B. BARE
PRODUCT SPEC
SAE AS7928
APPLICATION SPEC

FOR APPLICATION TOOLING INFORMATION
TOOLING ASSISTANCE CENTER
1-800-722-1111

CIRCULAR MIL AREA:
42.4-60.6mm² [83,700-119,500]
STRANDED



APVD B. BARE 6-21-93

SIZE	CAGE CODE	DRAWING NO	RESTRICTED TO
A3	00779	C-324057	-

FOR ORDER ENTRY
1-800-526-5142

THIS DRAWING IS A CONTROLLED DOCUMENT FOR AMP INCORPORATED. IT IS SUBJECT TO CHANGE AND THE CONTROLLING ENGINEERING ORGANIZATION SHOULD BE CONTACTED FOR THE LATEST REVISION.

MATERIAL
BODY: COPPER PER ASTM B-152
INSULATION: NYLON ASTM D4066 TYPE 1

FINISH
BODY: TIN PLATE PER ASTM B545
INSULATION: COLOR-BLUE

PRODUCT SPEC

SAE AS7928

APPLICATION SPEC

WEIGHT -

CUSTOMER DRAWING SCALE NTS SHEET 1 OF 1 REV N2