



### Electrical specifications

**Center Frequency:** 233 MHz  
**Insertion loss:** <5 dB  
**Return loss:** >14 dB  
**Rejection 1:** >50 dB@0-228 MHz  
**Rejection 2:** >50 dB@238-1000 MHz

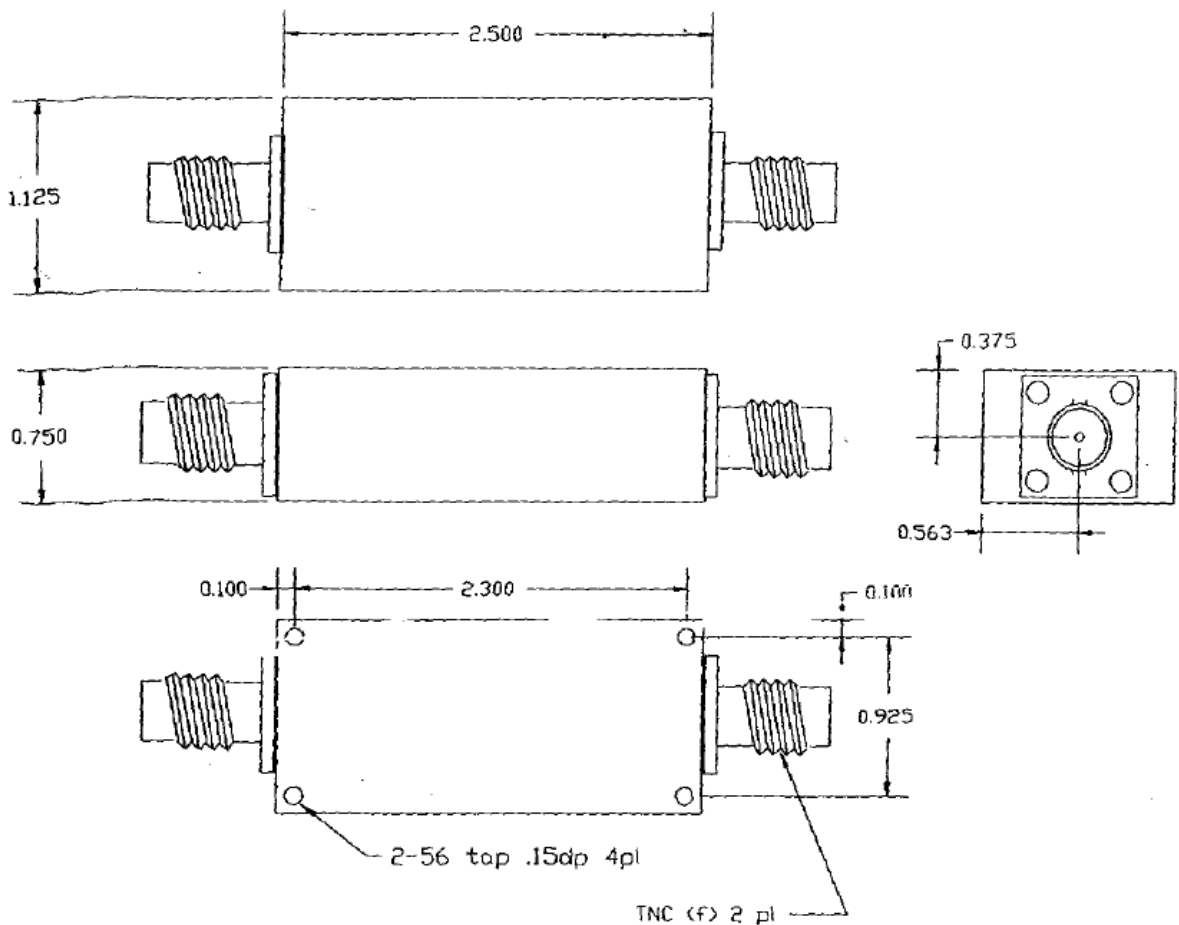
### Mechanical

**Mounting Method:** Threaded Mounting Holes  
**Connector Type:** TNC Female  
**Dimensions:** 2.50" x 1.25" x 0.75" in

### Environmental

**Operating Temperature:** -45 to +85° C  
**Storage Temperature:** -55 to +95° C  
**Shock:** 20 G. 11ms  
**Vibration:** 20 G. 5 to 200 MHz

### Outline Drawing:





# 233 MHz Cavity Bandpass Filter

## Part Number: AE233B10342

**ANATECH ELECTRONICS INC**  
RF & Microwave Filters & Products



### Plots:

