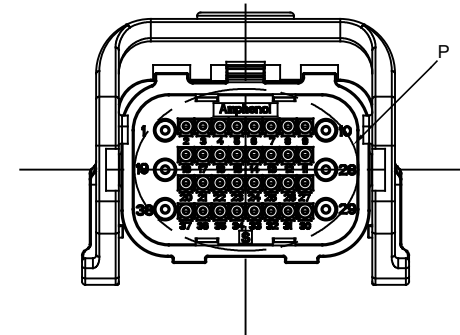
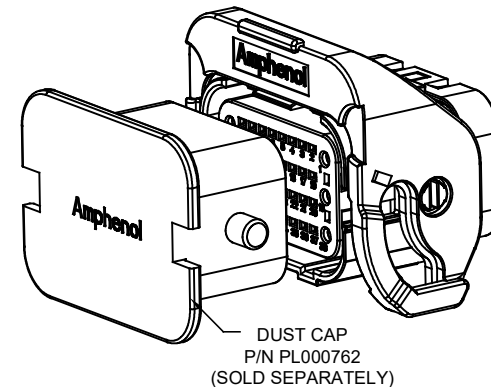
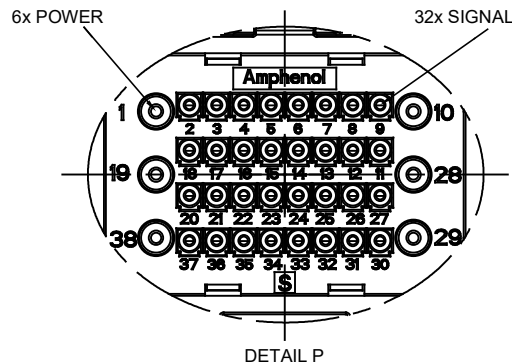


REVISIONS					
REV	ECO	DESCRIPTION	DATE	BY	APPR
A1	-	RELEASED DRAWING	Jul-30-2019	Flan	Tommy
A2	-	UPDATE DRAWING	Aug-9-2019	Flan	Tommy
A3	-	UPDATE DRAWING	Oct-15-2019	Flan	Tommy
A4	-	UPDATE DRAWING	Nov-12-2019	Flan	Tommy
A5	-	UPDATE DRAWING	Jun-29-2020	Ronald	Tommy



NOTES: (UNLESS OTHERWISE SPECIFIED)

- MATERIAL:
  - SHELL: THERMOPLASTIC, UL94 V-0, GRAY.
  - CONTACT LOCATING COVER: THERMOPLASTIC, UL94 V-0, GREEN.
  - GASKET: SILICONE RUBBER, RED.
  - WIRE SEAL: SILICONE RUBBER.
  - END CAP: THERMOPLASTIC, UL94 V-0, GRAY.
  - LOCKING LEVER: THERMOPLASTIC, UL94 V-0, BLACK.
- SPECIFICATIONS:
  - RATED CURRENT:
    - POWER: 13A (MAX).
    - SIGNAL: 5A (MAX).
  - RATED VOLTAGE (CLASS OF POLLUTION II): 250V (AC/DC).
  - OPERATING TEMPERATURE: -40°C to +125°C.
  - DIELECTRIC WITHSTANDING VOLTAGE: LESS THAN 2 MILLIAMPS CURRENT LEAKAGE @ 2000 VOLTS AC.
  - INSULATION RESISTANCE: 500 MEGOHMS MIN.
  - IP-CLASS: IP67 (MATED CONDITION).
  - MATING CYCLES DURABILITY: 500 CYCLES.
  - RoHS COMPLIANT.
- ALL DIMENSIONS ARE FOR REFERENCE USE ONLY.
- PART NUMBER AND WIRE RANGE:



PART NUMBER	SIGNAL (WIRE&OD RANGE)	POWER (WIRE&OD RANGE)	WIRE SEAL COLOR
ATV06-38S*-S1	Ø1.2~1.5mm(22AWG)	Ø1.6~2.8mm	GREEN
ATV06-38S*-S2	Ø1.5~1.8mm(20AWG)	(22~14AWG)	RED

TABLE

KEY POS	P
A	17.50
B	14.50
C	11.50

QUANTITY	PART NUMBER	DESCRIPTION	ITEM
<b>MATERIALS LIST</b>			
UNLESS OTHERWISE SPECIFIED: 1) All dimensions are in metric(mm). 2) Tolerances are as follows: 1 PL DEC ±0.30 2 PL DEC ±0.15 3 PL DEC ±0.08 3) Note reference =		SIGNATURES DRAWN: Ronald CHECKED: Flan ENGINEER: APPROVAL: Tommy CUSTOMER:	DATE Jun-29-2020 Jun-30-2020 Jun-30-2020
MATERIAL SPECIFICATIONS:		<b>Amphenol</b> Sine Systems - www.amphenol-sine.com 44724 Morley Drive Clinton Township, MI 48036	
PROCESS SPECIFICATIONS:		DURALOK ATV, PLUG 38 POSITION, SOCKET	
NEXT ASSY:	THIS DRAWING IS SUPPLIED FOR INFORMATION ONLY. DESIGN FEATURES, SPECIFICATIONS AND PERFORMANCE DATA SHOWN HEREON ARE THE PROPERTY OF THE AMPHENOL CORPORATION. NO RIGHTS OF REPRODUCTION ARE IMPLIED. ALL DIMENSIONS ARE SUBJECT TO NORMAL MANUFACTURING VARIATIONS.	SIZE: B C- SCALE: NONE	DWG NO: ATV06-38S*-Sx REVISION: A5
			SHEET 1 OF 1

\*\*\*DENOTES KEY WAY. CONTACT SIZE: SIGNAL SC000572x; POWER SS20M1x, SS16M1x, SS14M1x. RECOMMENDED TO CHOOSE HARD WIRE, SUCH AS FEP INSULATION AND XLPE INSULATION.

TITLE: DURALOK ATV, PLUG, 38 POSITION, SOCKET  
DWG NO: ATV06-38S\*-Sx  
REV: A5  
SHEET 1 OF 1