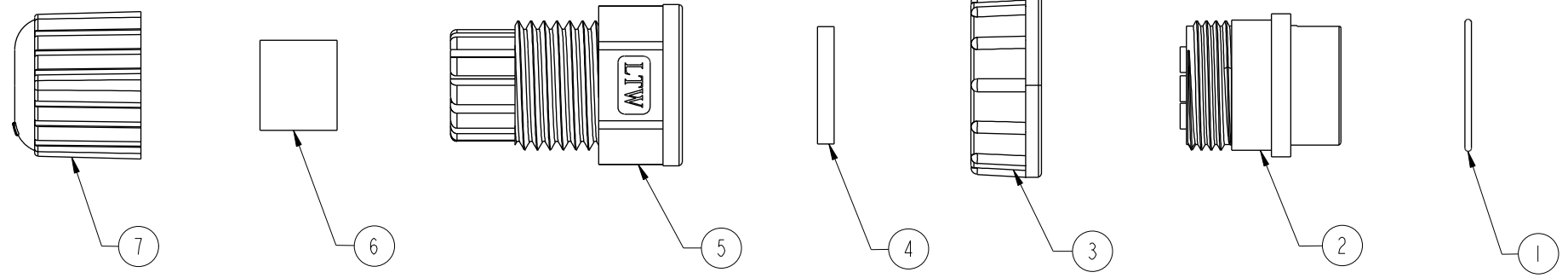


THIS DOCUMENT IS SUBJECT TO CHANGE WITHOUT NOTICE. IT IS CONFIDENTIAL AND A PROPERTY OF AMPHENOL LTW. DISCLOSURE TO THIRD PARTY HAS TO BE AUTHORIZED BY AMPHENOL LTW.

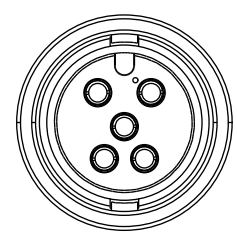
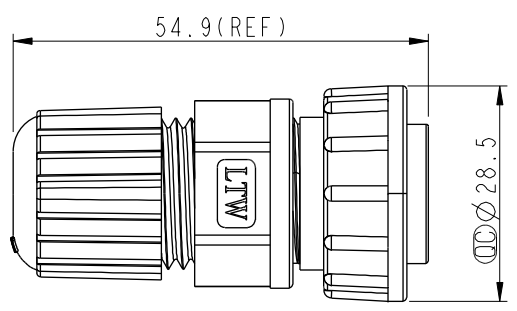
REV.	ECN NO.	DATE	SIGN	DESCRIPTION
B	LEN-870148	2008/07/25	Yuri	Update Drawing



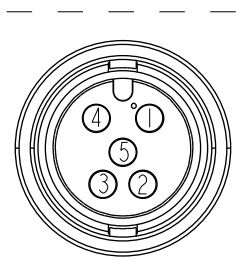
ALTW
 CONFIDENTIAL
 2012-05-07
 R&D DEPT.

ALTW
 DCC. DEPT.
 CONFIDENTIAL
 2012-06-20
ISSUED

- Notes:
- * \varnothing Important Dimension To Check.
 - * Waterproof Rate: IP67
 - * Housing: Black, Nylon+GF
 - * Pin: Copper Alloy, Gold Plated
 - * Nut: Black, Nylon+GF
 - * $\triangle B$ Gasket: Black, Silicone
 - * Ring: Black, EPDM
 - * Clamp Ring: Black, Nylon
 - * $\triangle B$ Seals: Black, EPDM
 - * Sealing Nut: Black, Nylon
 - * Seal For Cable OD: \varnothing 5.5mm~10.8mm
 - * One Set Unassembled In One PE Bag



Conn.



Pin Assignments
Front View

UNIT: mm 	TITLE Large Assy Lock 5Pin F Conn F Pin			Amphenol LTW 安費諾亮泰企業股份有限公司	ITEM NO. DC-05BFFA-LL7001	DRAWN BY SamChang	DATE 2012-05-07
	TOLERANCE .X ±0.25 .XX ±0.1 .XXX ±0.05 ANGLES ±1°	SCALE 1:1	SIZE A4		SHEET 1 OF 1	DWG NO. DC-05BFFA-LL7001	CHECKED BY Jeffrey
	REV. B	WC-REV. A.2	\varnothing : Inspection item	CUSTOMER ALTW	APPROVED BY Lion	DATE 2012-06-19	8 FMM10702-01-02A1