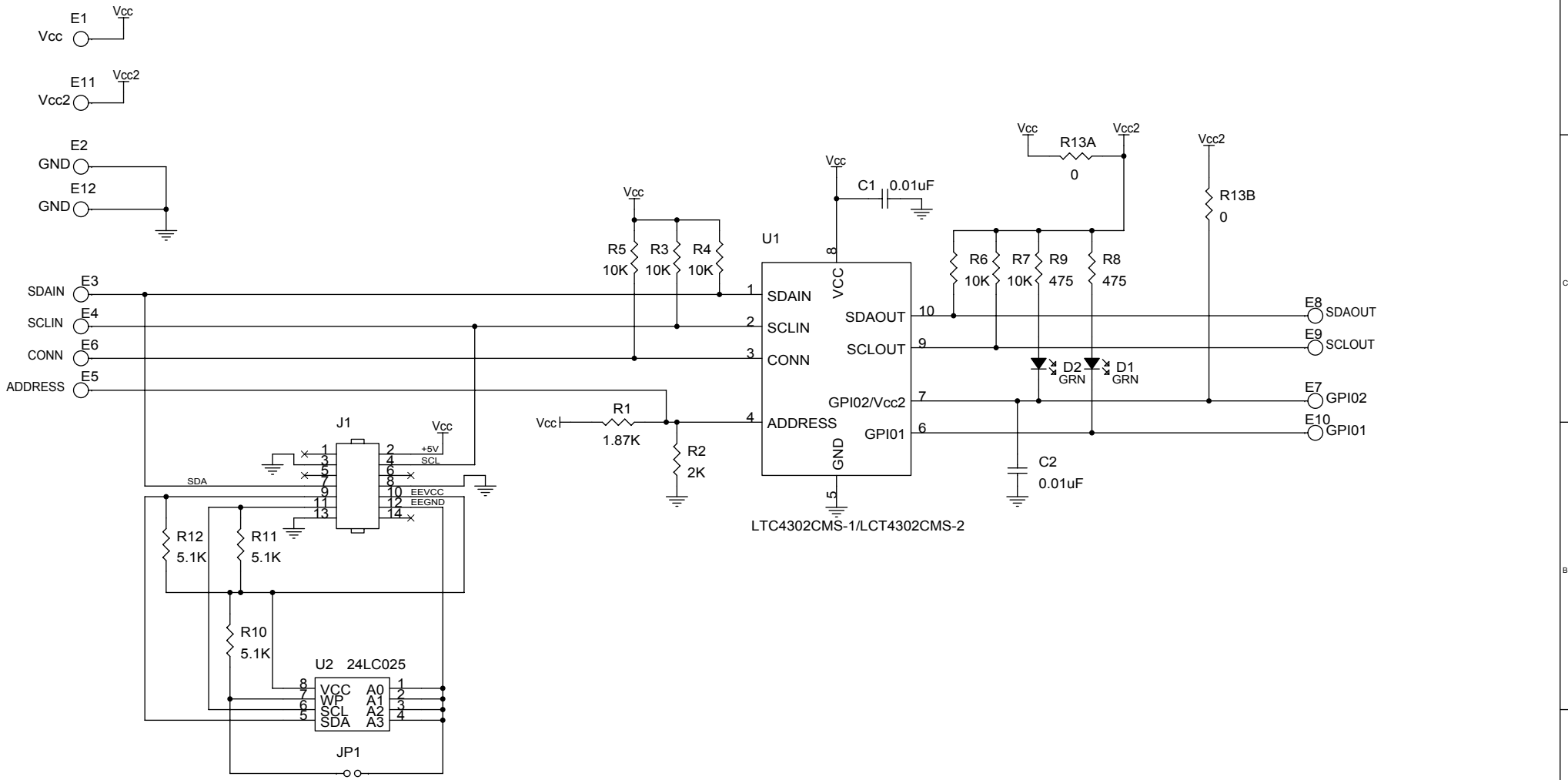


This circuit is proprietary to Linear Technology and supplied for use with Linear Technology parts.
Customer Notice: Linear Technology has made a best effort to design a circuit that meets customer-supplied specifications; however, it remains the customers responsibility to verify proper and reliable operation in the actual application. Component substitution and printed circuit board layout may significantly affect circuit performance or reliability. Contact Linear Applications Engineering for assistance.

REVISION HISTORY				
ECO	REV	DESCRIPTION	DATE	APPROVED
	2	PROTO	03/29/04	



NOTES: UNLESS OTHERWISE SPECIFIED,

1. ASSEMBLY OPTIONS;

DC757A-A: U1 = LTC4302CMS-1


INCLUDE: D2, E7, R9, R13A.

EXCLUDE: C2, E11, R13B.

DC757A-B: U1 = LTC4302CMS-2

INCLUDE: C2, E11, R13B.

EXCLUDE: D2, E7, R9, R13A.

CONTRACT NO.		 1630 McCarthy Blvd. Milpitas, CA 95035 Phone: (408)432-1900 Fax: (408)434-0507
APPROVALS	DATE	
DRAWN: MEI	03/29/04	TITLE
CHECKED		SCH, LTC4302CMS-1/LTC4302CMS-2, Addressable 2-Wire Bus Buffer
APPROVED		SIZE
ENGINEER		CAGE CODE
DESIGNER		DWG NO
		DC757A-A-B
		REV
		2
Wednesday, July 14, 2004		SCALE:
		FILENAME: 757A-2.DSN
		SHEET 1 OF 1