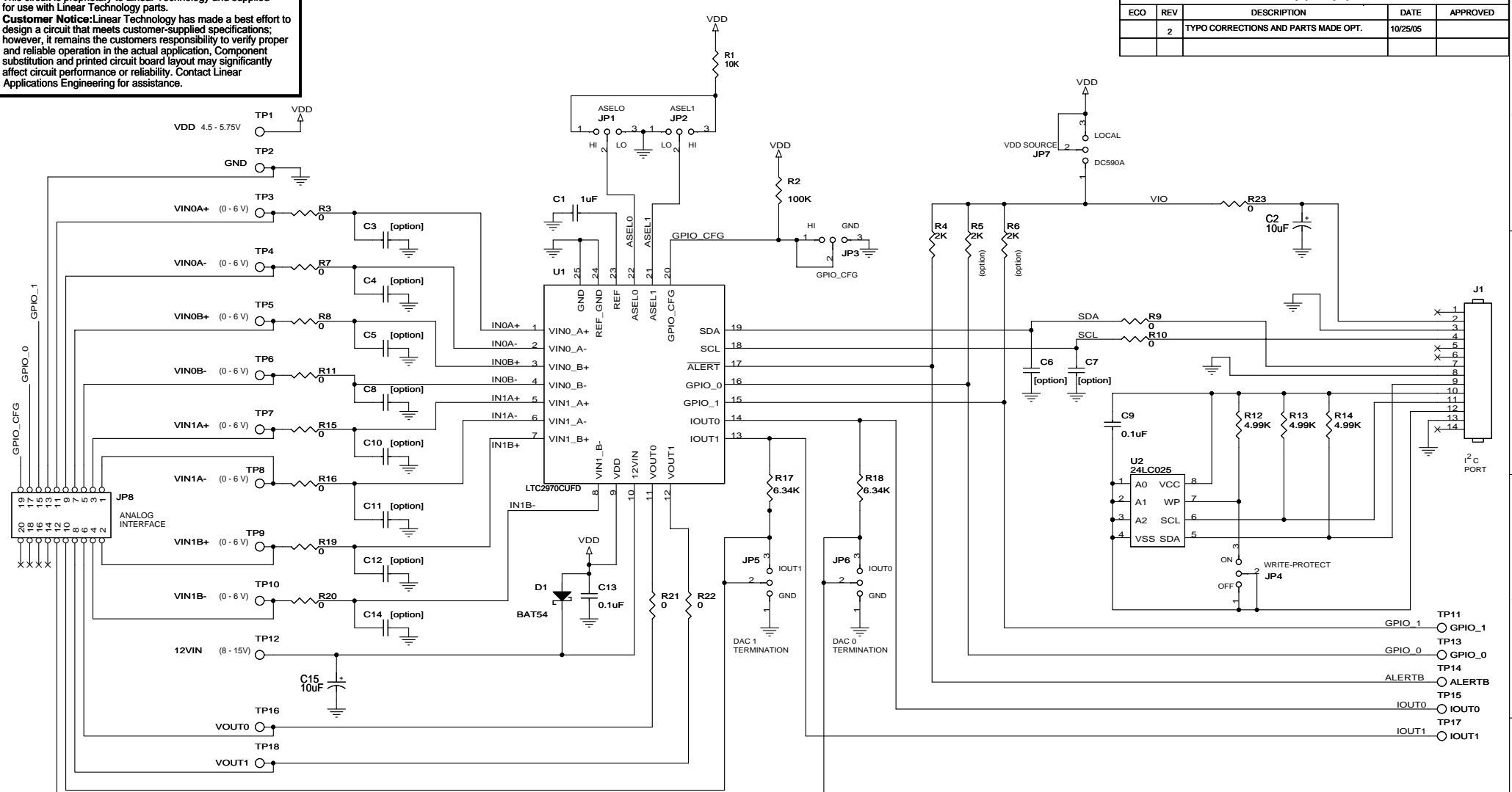


This circuit is proprietary to Linear Technology and supplied for use with Linear Technology parts.
Customer Notice: Linear Technology has made a best effort to design a circuit that meets customer-supplied specifications; however, it remains the customer's responsibility to verify proper and reliable operation in the actual application. Component substitution and printed circuit board layout may significantly affect circuit performance or reliability. Contact Linear Applications Engineering for assistance.

REVISION HISTORY				
ECO	REV	DESCRIPTION	DATE	APPROVED
	2	TYPO CORRECTIONS AND PARTS MADE OPT.	10/25/05	



UNLESS OTHERWISE SPECIFIED DIMENSIONS ARE IN INCHES TOLERANCE ON ANGLE ... 2 PLACES ... 3 PLACES ... INTERPRET DIM AND TOL PER ASME Y14.5M -1994	CONTRACT NO.		1630 McCarthy Blvd. Milpitas, CA 95035 Phone: (408)432-1900 Fax: (408)434-0507	TITLE		
	APPROVALS	DATE		SCH, LTC2970CUFD, DUAL POWER SUPPLY MONITOR AND MARGIN CONTROLLER		
	DRAWN Chris Pollard	10/25/05		SIZE	CAGE CODE	DWG NO
	CHECKED					DC980A
APPROVED				REV	2	
DESIGNER				SCALE	NONE	
DO NOT SCALE DRAWING	Tuesday, December 06, 2005	SCALE	NONE	FILENAME	980A.DSN	
		SHEET	1	OF	1	