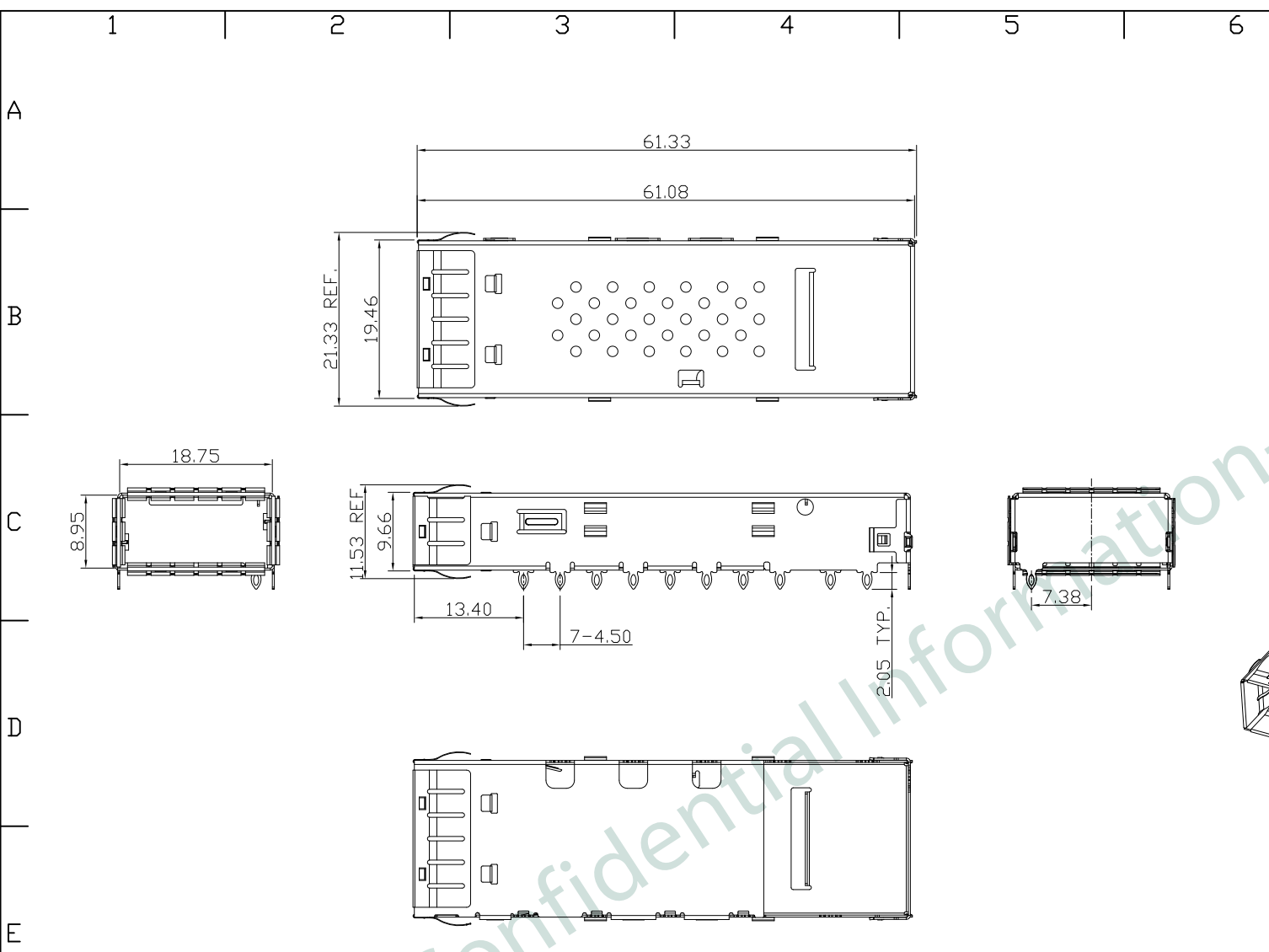
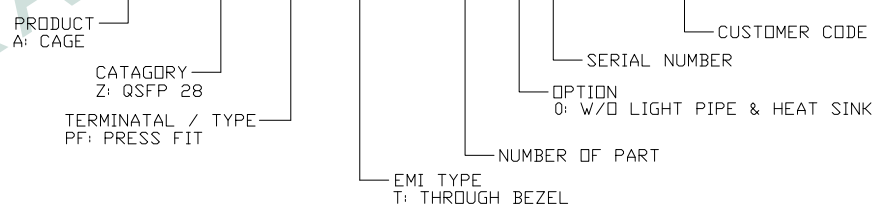


REV.	DATE	DESCRIPTION
01	Jul. 03, '20	1st RELEASE

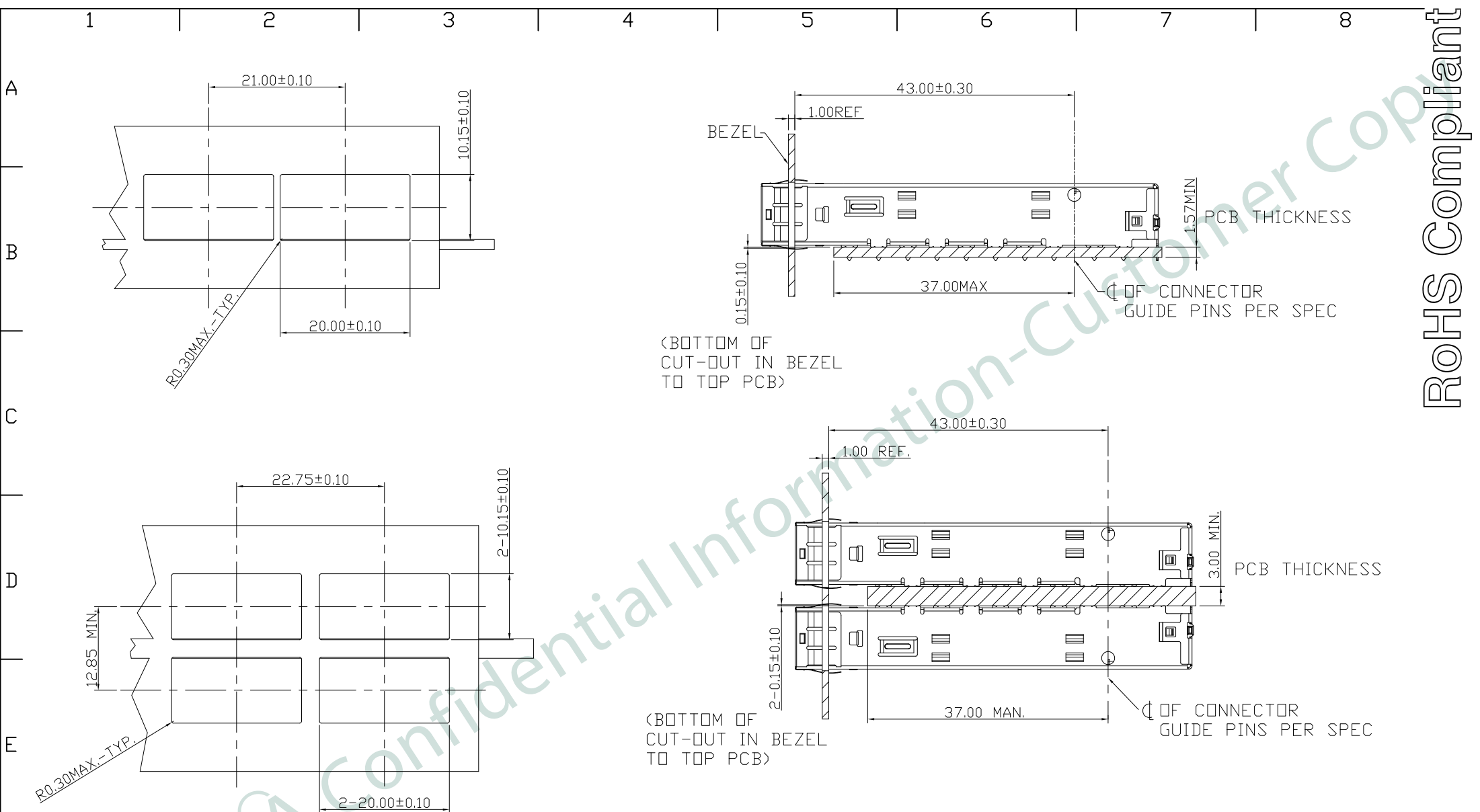
NOTES:
 1. CAGE: T=0.25mm COPPER ALLOY
 2. UNSPECIFIED TOLERANCE: .XXX ±0.15
 .XX ±0.25



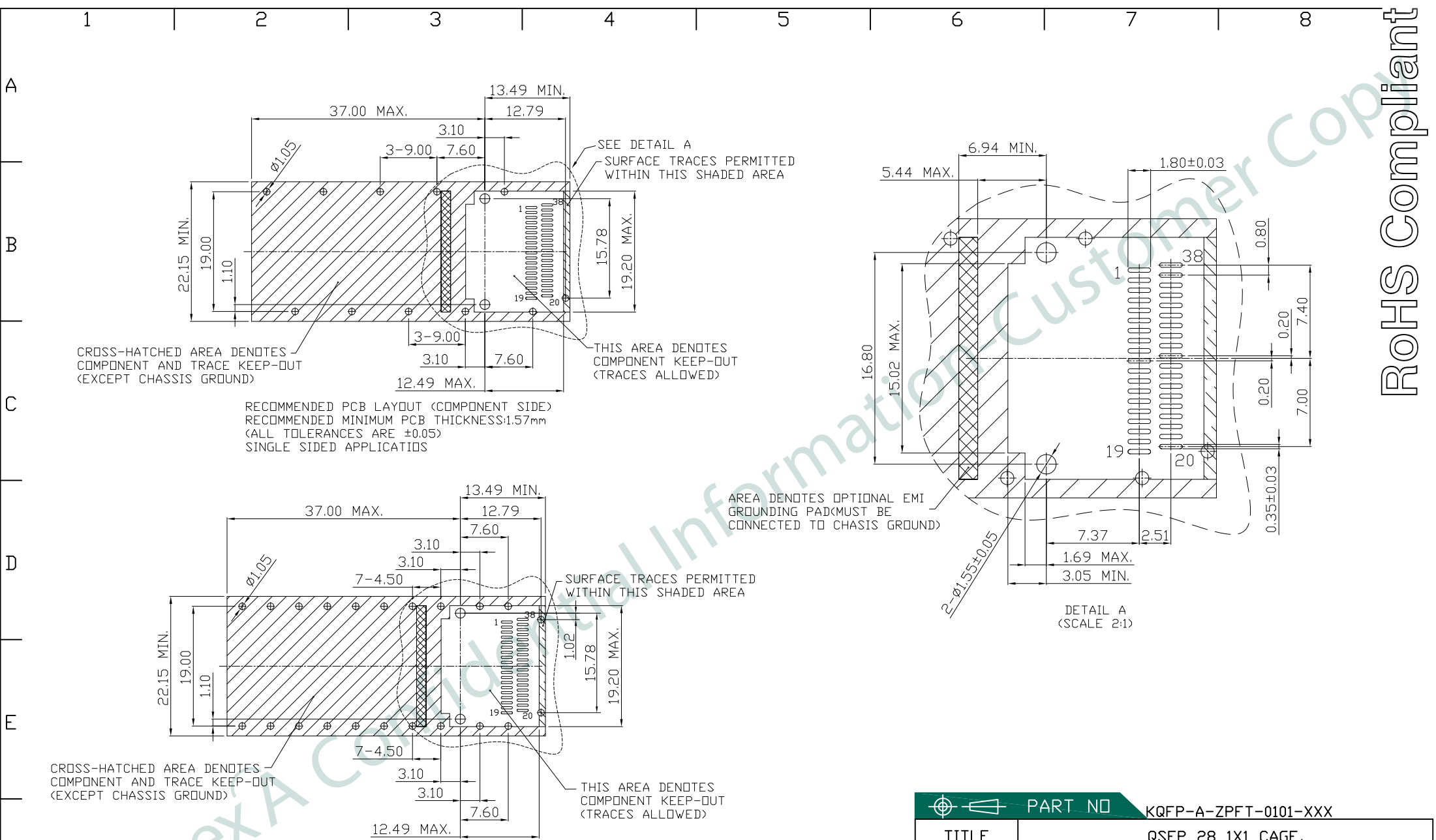
KQFP-A-ZPFT-0101-XXX

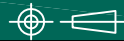


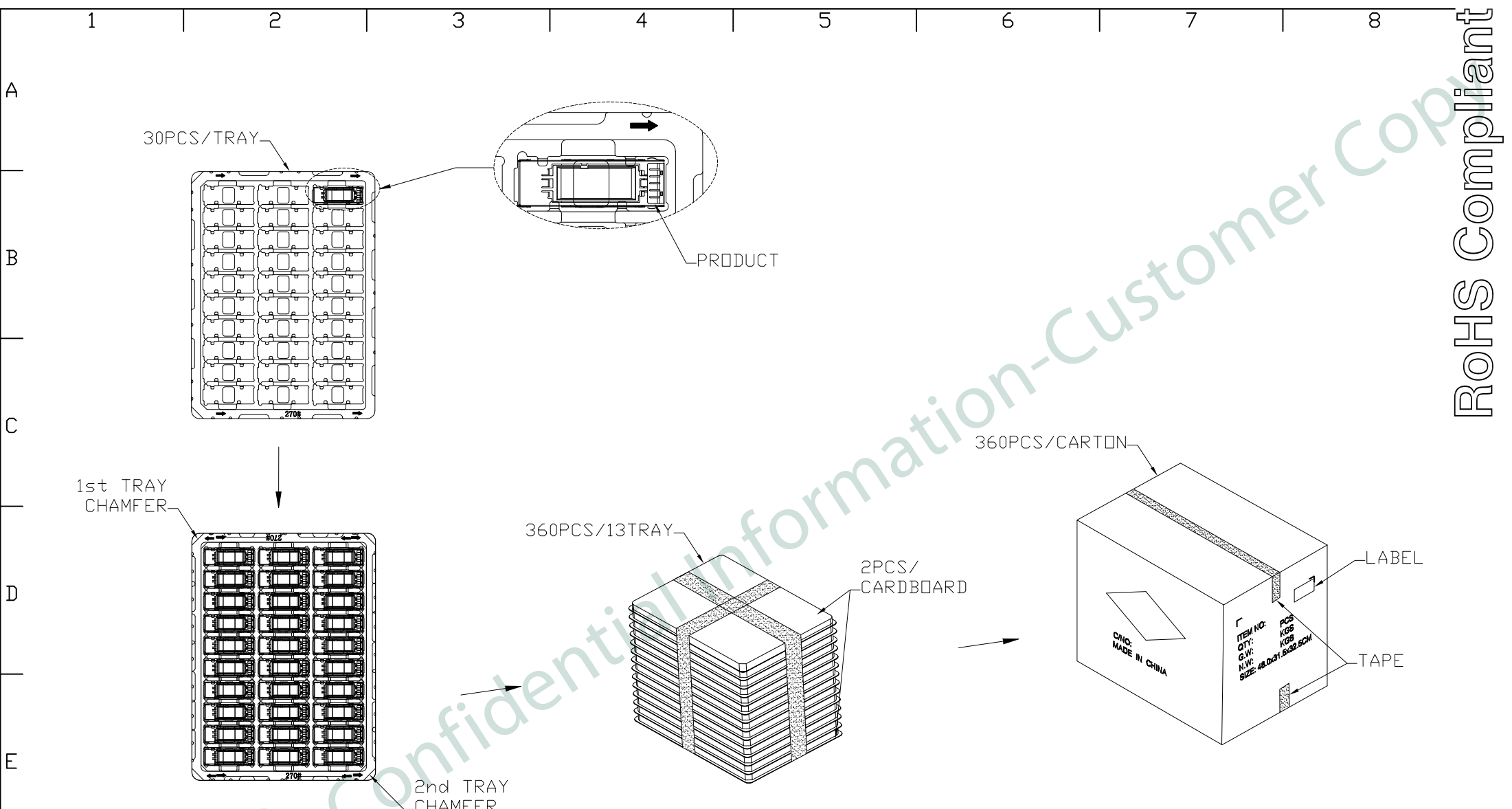
PART NO		KQFP-A-ZPFT-0101-XXX		
TITLE	QSFP 28 1X1 CAGE, W/O LIGHT PIPE, HEAT SINK, PRESS FIT TYPE			
REV : 01				
UNIT	DRAWN	CHKD	DATE	SHEET
mm[inch]	CINDY	VINCENT	Jul. 03, '20	1 of 4

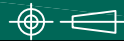


PART NO		KQFP-A-ZPFT-0101-XXX		
TITLE	QSFP 28 1X1 CAGE, W/O LIGHT PIPE, HEAT SINK, PRESS FIT TYPE			
REV : 01				
UNIT	DRAWN	CHKD	DATE	SHEET
mm[inch]	CINDY	VINCENT	Jul. 03, '20	2 of 4



 PART NO		KQFP-A-ZPFT-0101-XXX		
TITLE	QSFP 28 1X1 CAGE, W/O LIGHT PIPE, HEAT SINK, PRESS FIT TYPE			
REV : 01				
UNIT	DRAWN	CHKD	DATE	SHEET
mm[inch]	CINDY	VINCENT	Jul. 03, '20	3 of 4



 PART NO		KQFP-A-ZPFT-0101-XXX		
TITLE	QSPF 28 1X1 CAGE, W/O LIGHT PIPE, HEAT SINK, PRESS FIT TYPE			
REV : 01				
UNIT	DRAWN	CHKD	DATE	SHEET
mm[inch]	CINDY	VINCENT	Jul. 03, '20	4 of 4